

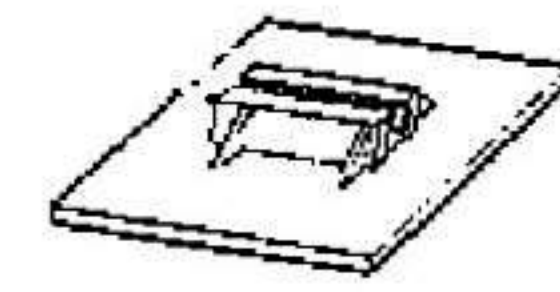
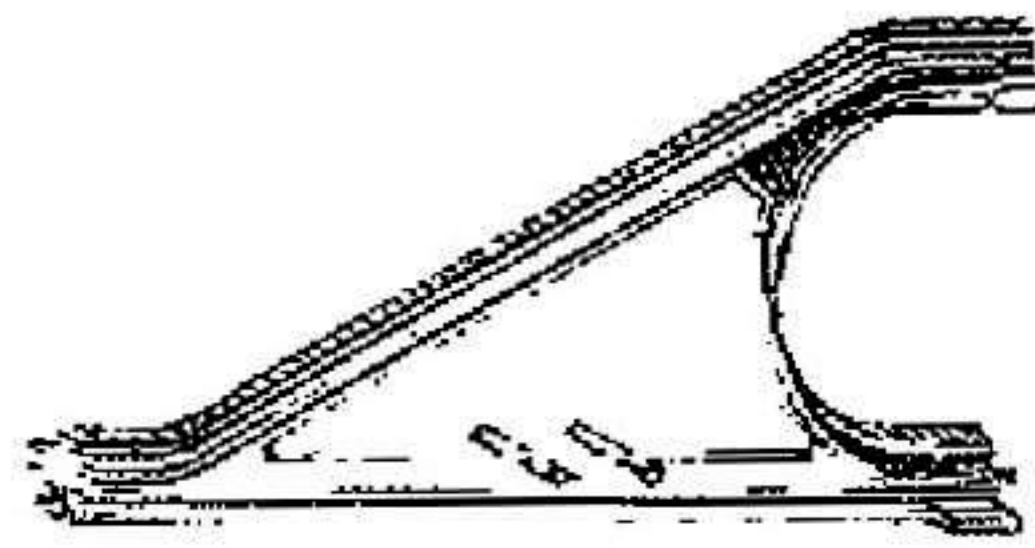
DING-A-LING SUPER RETURN SPACE SKYWAY INSTRUCTION SHEET

DO NOT THROW THIS SHEET AWAY. USE FOR FUTURE REFERENCE. READ ALL INSTRUCTIONS CAREFULLY.

2 "AA" BATTERIES REQUIRED (NOT INCLUDED). FOR LONGER LIFE, USE ALKALINE BATTERIES.

CONTENTS:

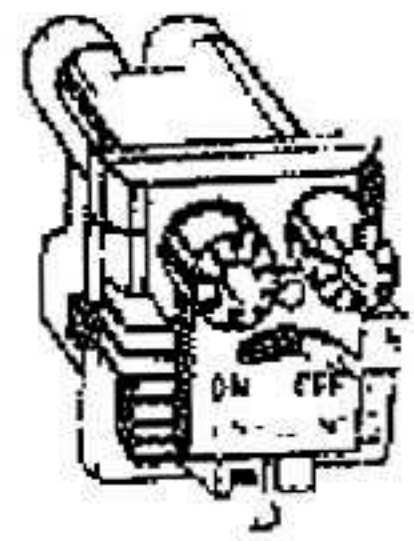
1 DING-A-LING



1 BASE CONNECTOR

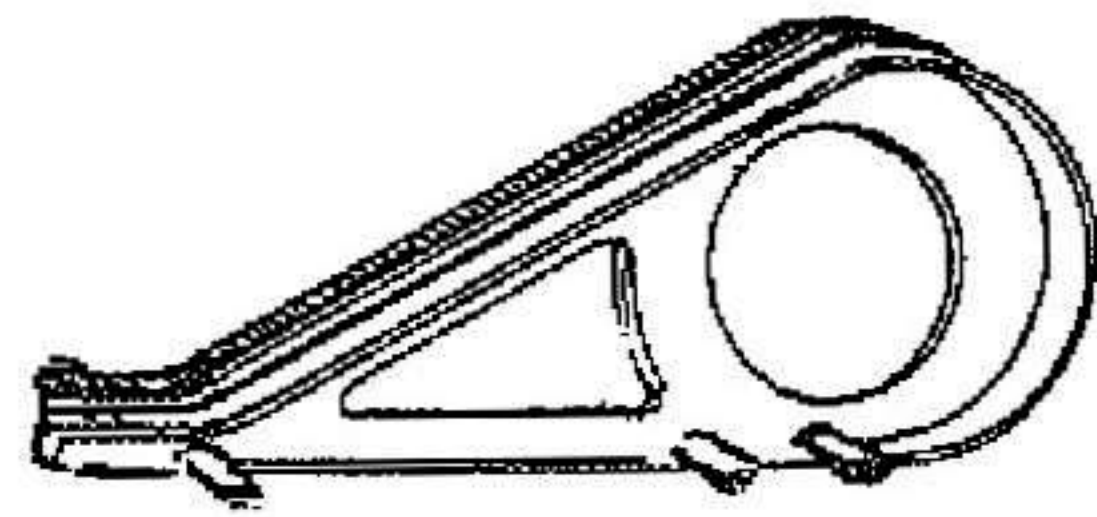


14 CONNECTORS

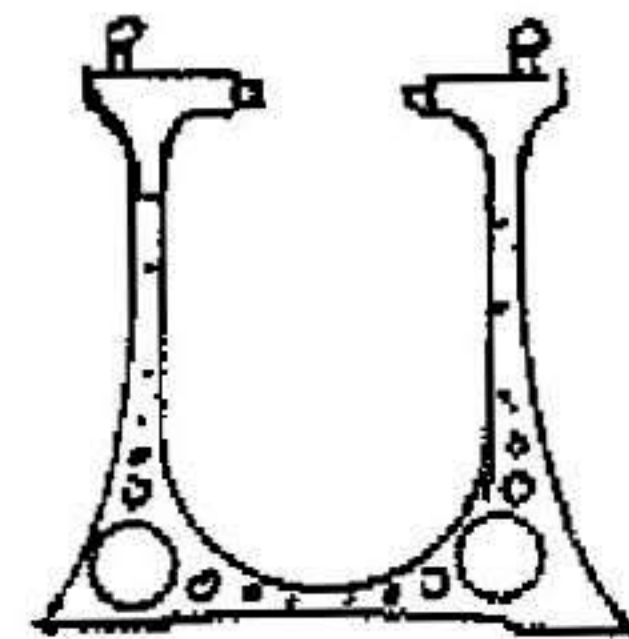


1 POWER PACK

1 STARTER



1 RETURN

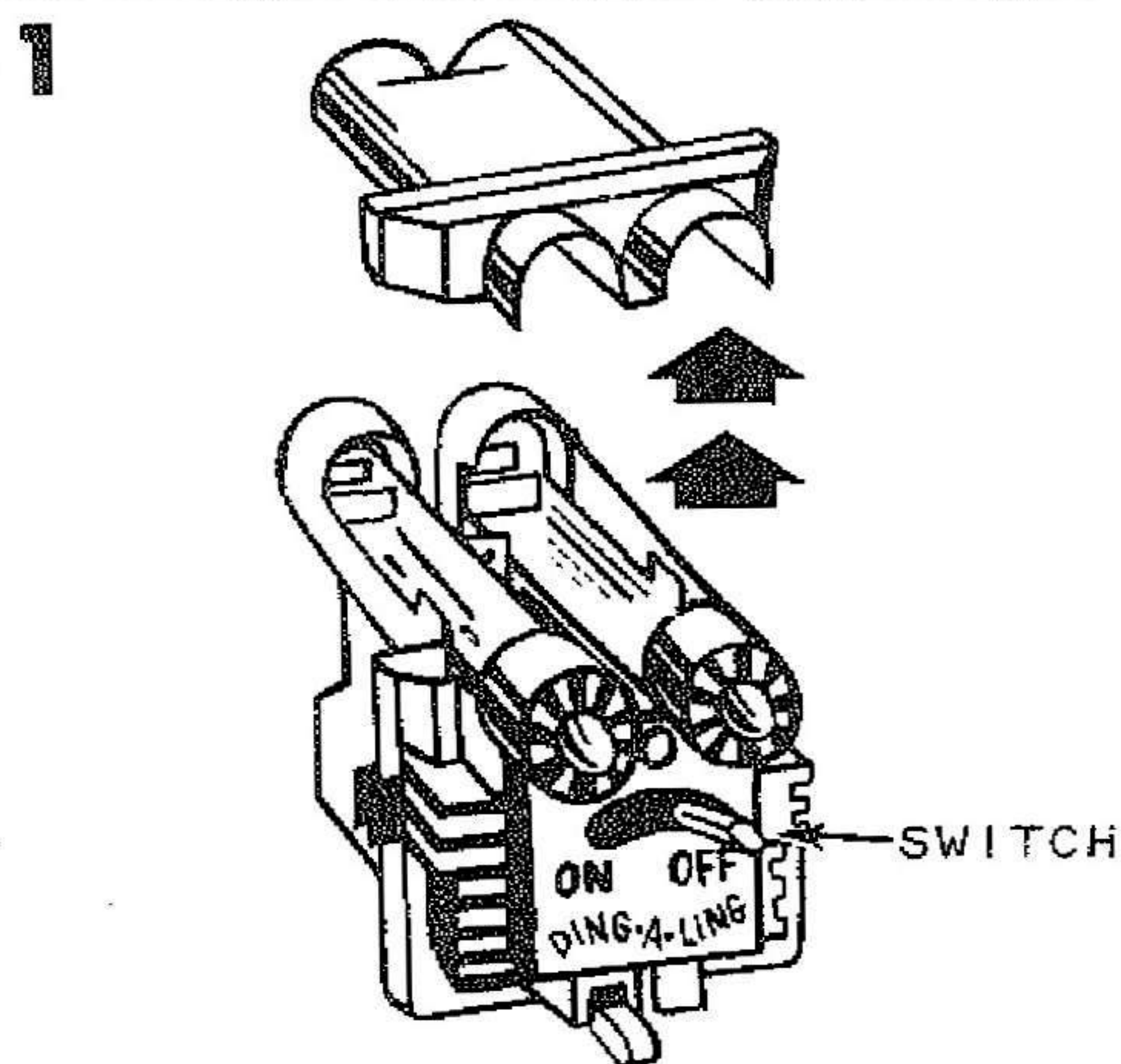


3 UPRIGHTS

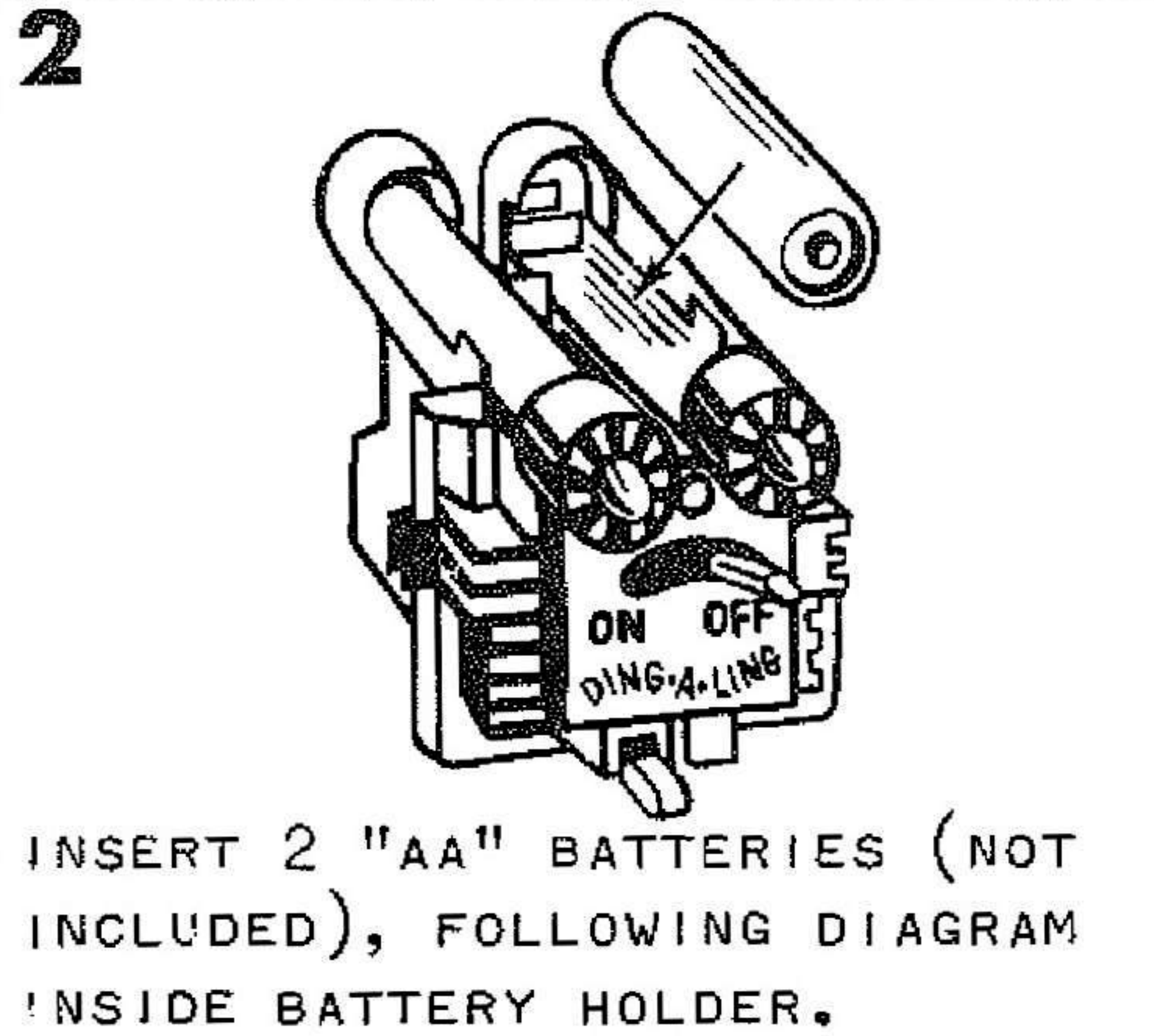


4 SPACE SKYWAYS

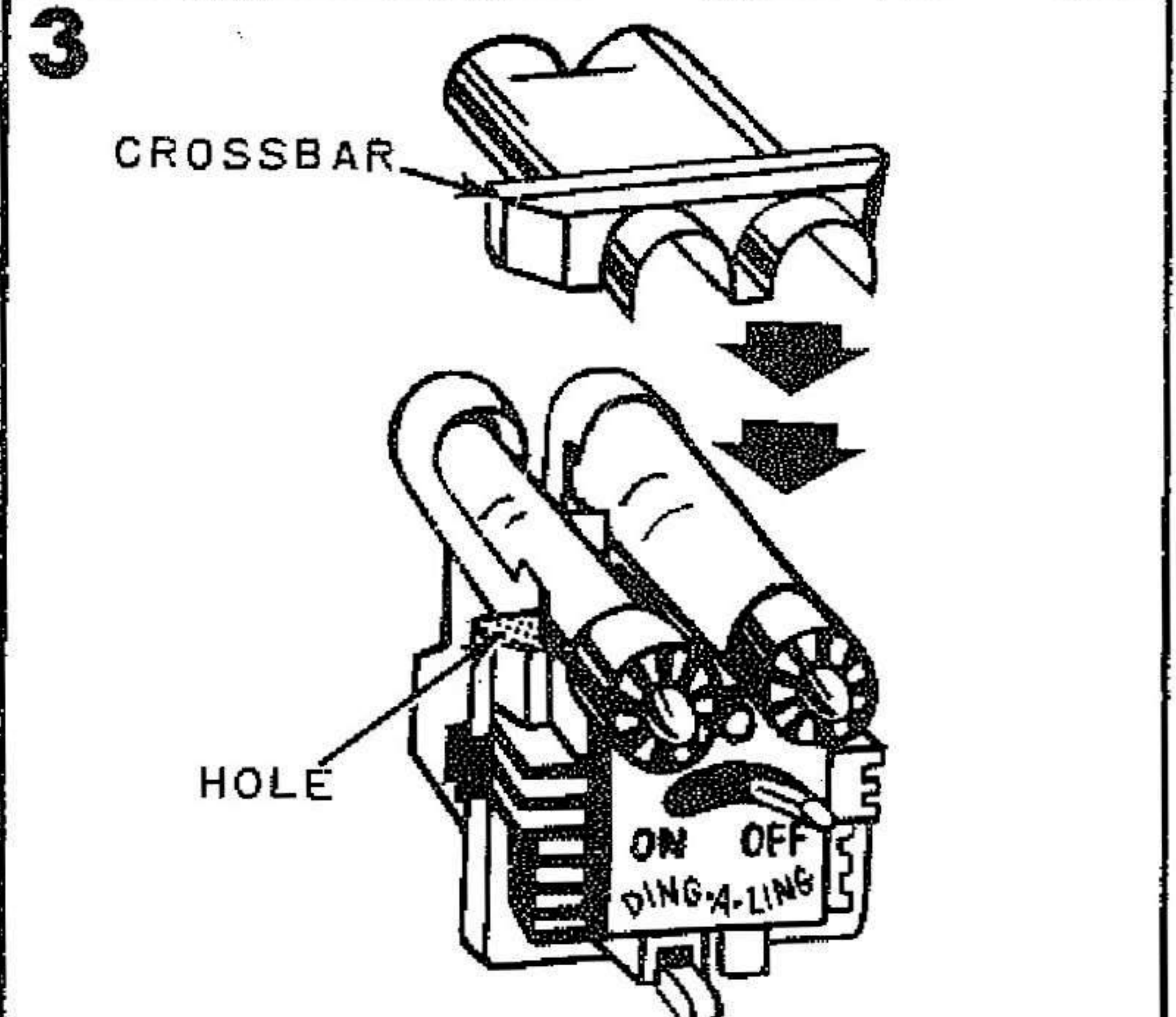
HOW TO ASSEMBLE POWER PACK



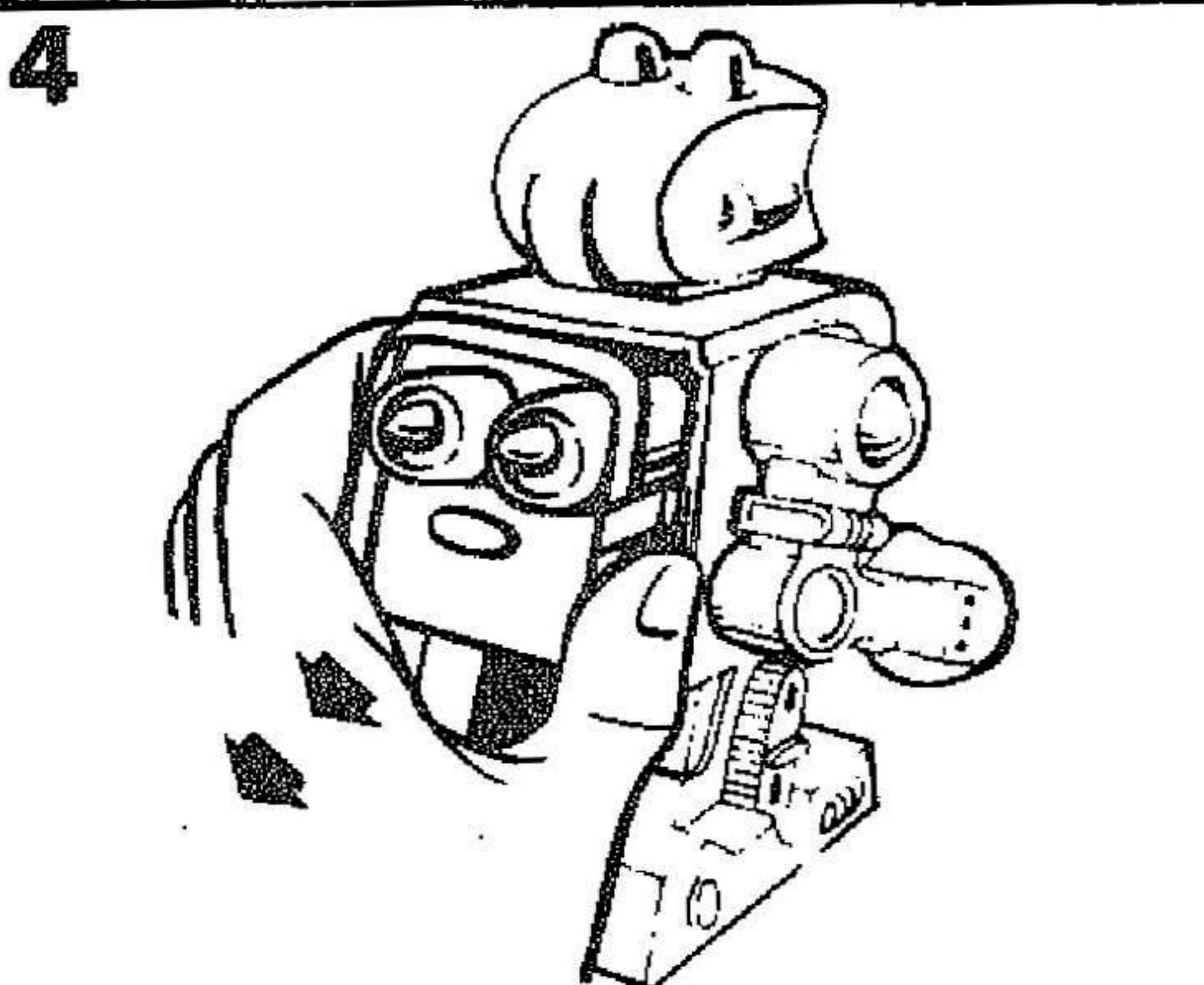
BE SURE SWITCH ON POWER PACK IS IN THE "OFF" POSITION. LIFT OFF BATTERY COVER, AS SHOWN.



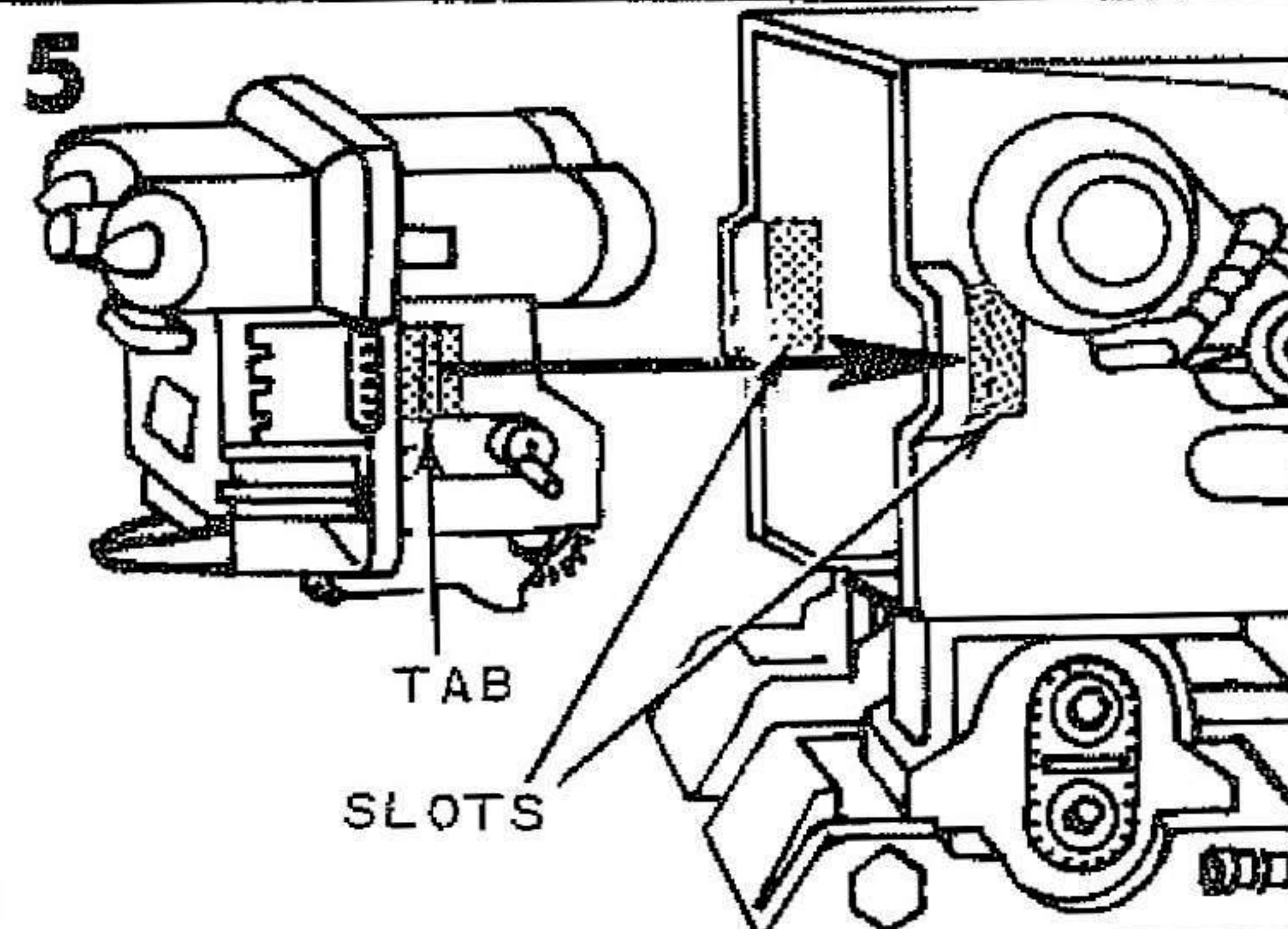
INSERT 2 "AA" BATTERIES (NOT INCLUDED), FOLLOWING DIAGRAM INSIDE BATTERY HOLDER. **IMPORTANT:** POWER PACK WILL NOT OPERATE UNLESS BATTERIES ARE INSERTED PROPERLY AND BATTERY COVER IS IN PLACE.



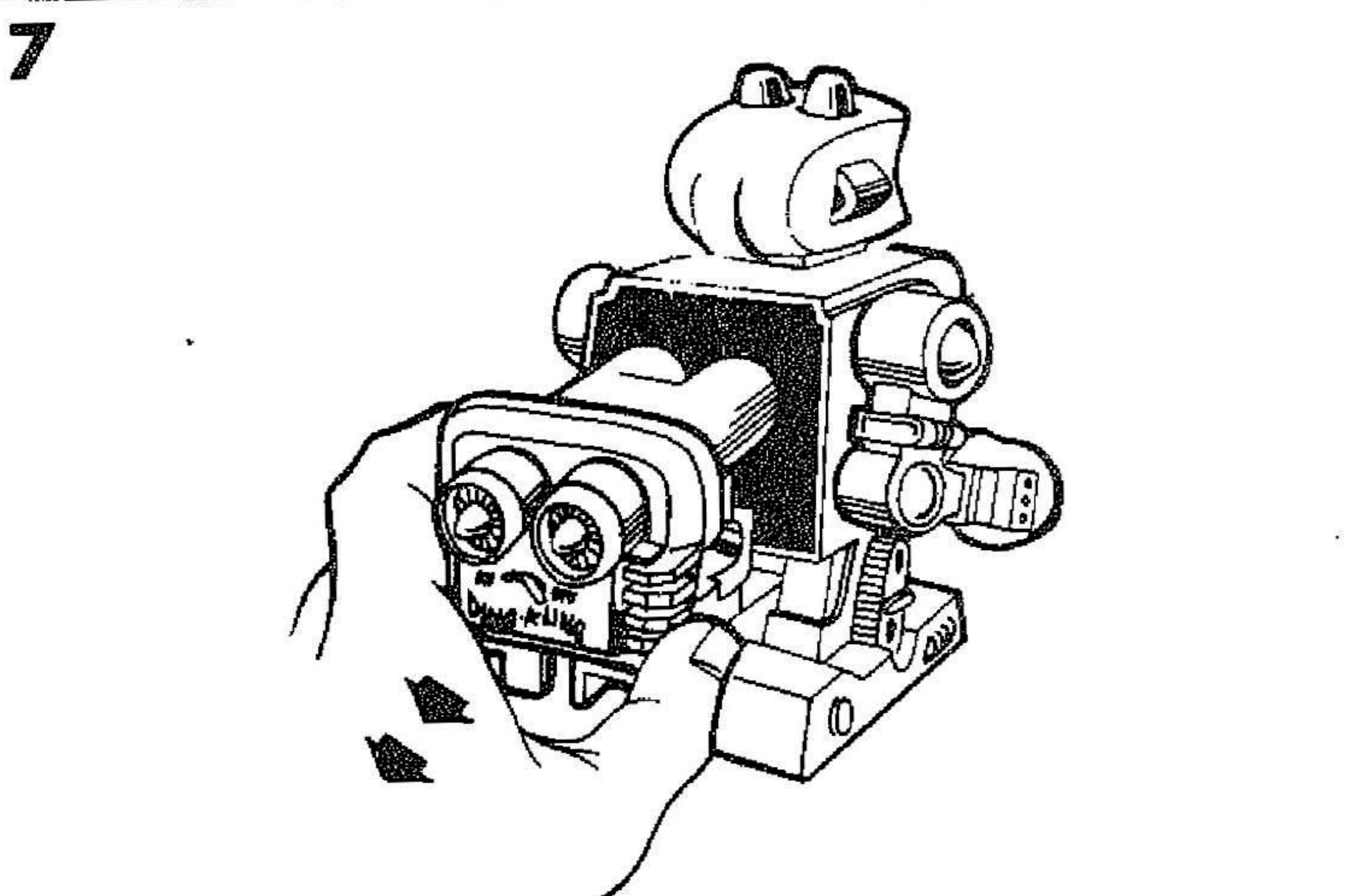
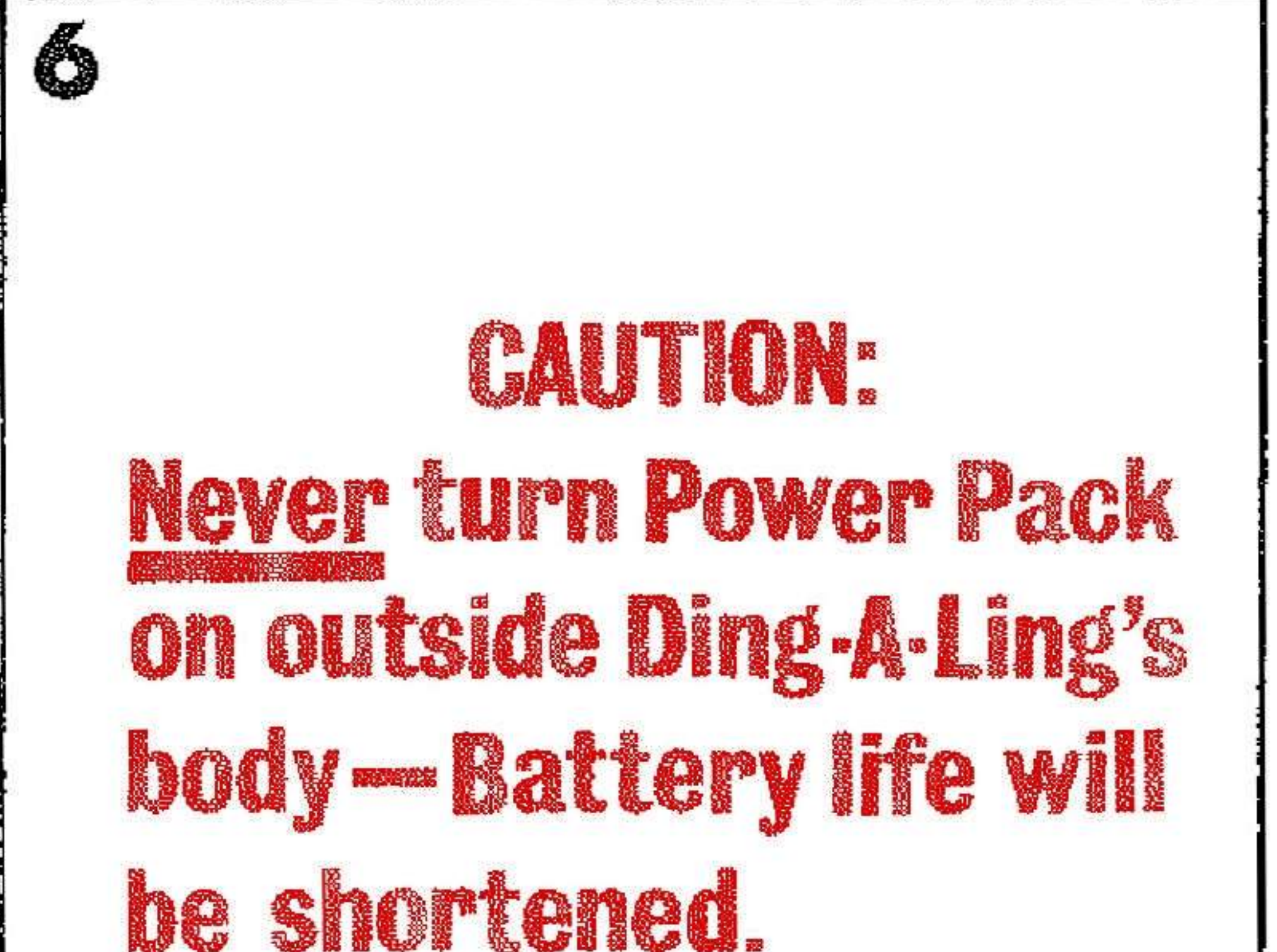
TO PUT ON BATTERY COVER, FIT CROSSBAR INTO HOLES IN POWER PACK AND SNAP COVER INTO PLACE.



REMOVE BACK FROM DING-A-LING BY PRESSING IN ONE SIDE OF BACK AND LIFTING IT OFF.



TO INSERT POWER PACK, HOLD AS SHOWN AND PUSH ALL THE WAY IN UNTIL IT CLICKS INTO PLACE. **BE SURE TABS OF POWER PACK FIT INTO SLOTS IN DING-A-LING, AS SHOWN.**



THE POWER PACK WILL FIT ALL DING-A-LINGS (OTHER DING-A-LINGS SOLD SEPARATELY). TO REMOVE POWER PACK, PRESS IN SIDES AS SHOWN AND PULL OUT.

HOW TO CARE FOR POWER PACK

- A. IF POWER PACK DOES NOT WORK, CHECK TO SEE IF BATTERIES HAVE BEEN PUT IN CORRECTLY.
- B. IF POWER PACK STOPS WORKING:
 1. GENTLY LIFT METAL STRIPS INSIDE BATTERY HOLDER TO MAKE BETTER CONTACT WITH BATTERIES.
 2. BE SURE BATTERIES ARE NOT WEAK.
- C. ALWAYS TURN POWER PACK OFF WHEN YOU ARE NOT PLAYING WITH DING-A-LING.



© 1971 TOPPER CORPORATION, ELIZABETH, N.J. 07206

3009-0010A

PRINTED IN U.S.A.

HOW TO ASSEMBLE SET

1

BASE CONNECTOR

SLIDE BASE CONNECTOR ONTO LOWER GROOVES OF CURVED SIDE OF STARTER.

2

SMALL TABS

LARGE TABS

1. HOLD STARTER WITH BASE CONNECTOR IN LEFT HAND.
2. HOLD 1 SPACE SKYWAY IN RIGHT HAND.
3. PUT FLAT SIDES OF LARGE TABS TOGETHER. PUSH IN UNTIL SMALL TABS TOUCH.
4. TWIST SPACE SKYWAY VERY SLIGHTLY TOWARDS YOU OR AWAY FROM YOU AND PUSH TOGETHER.

3

CONNECTORS

ADD ONE CONNECTOR TO EACH SIDE OF STARTER AND SPACE SKYWAY. ADD 3 MORE SPACE SKYWAYS AND 6 CONNECTORS.

4

UPRIGHT

ATTACH AN UPRIGHT TO SECOND SET OF CONNECTORS. ADD ANOTHER UPRIGHT AT THE FOURTH SET OF CONNECTORS.

5

RETURN

CONNECTORS

UPRIGHT

ATTACH RETURN TO END OF ASSEMBLED PIECES. PUT ON 2 MORE CONNECTORS. PUT 2 CONNECTORS ONTO RETURN AND ADD THE LAST UPRIGHT.

HOW TO PLAY

STEP 1

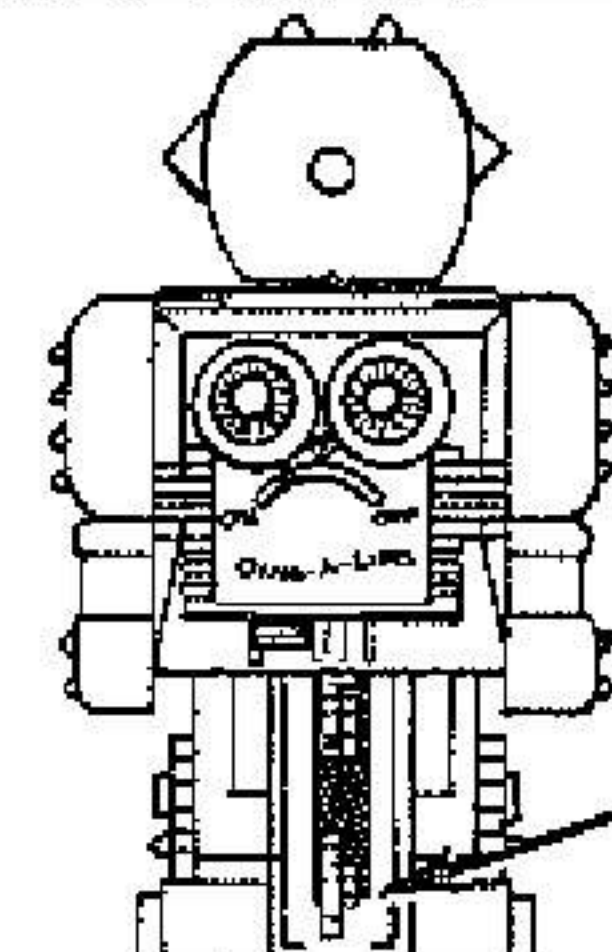
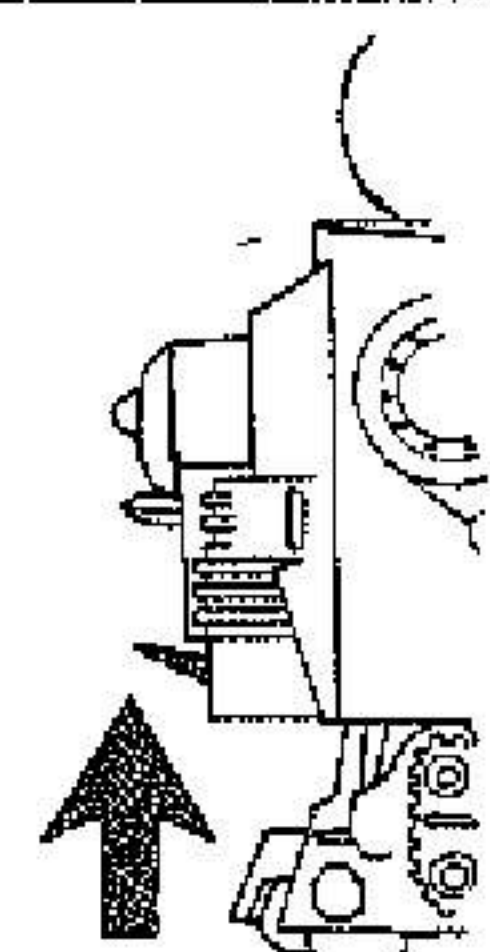
DING-A-LING

FEET

BE SURE SWITCH ON POWER PACK IS IN THE "OFF" POSITION. SLIDE FEET OF DING-A-LING ONTO BEGINNING OF STARTER.

STEP 2 HOW TO MAKE DING-A-LING GLIDE

LEVER IN GLIDE POSITION (ALL THE WAY UP)



GEAR IS LOCKED IN PLACE

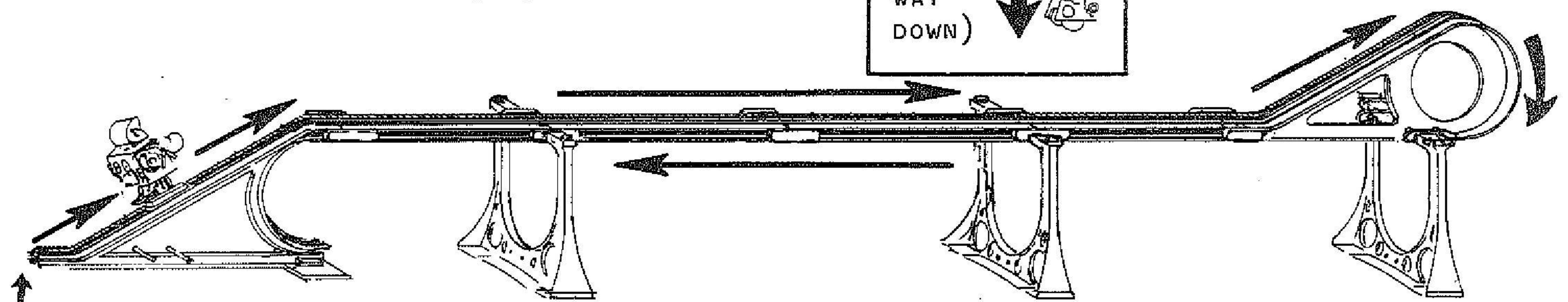
TO MAKE DING-A-LING GLIDE, MOVE SWITCH TO "ON" AND PUSH LEVER ALL THE WAY UP. A GEAR WILL DROP BETWEEN DING-A-LING'S FEET. WHEN LEVER IS ALL THE WAY UP, THE GEAR WILL LOCK IN PLACE.

STEP 4 TO MAKE DING-A-LING WALK ON STRAIGHT SPACE SKYWAYS, PUSH LEVER ALL THE WAY DOWN WHILE MOVING DING-A-LING SLIGHTLY FORWARD.

LEVER IN WALK POSITION (ALL THE WAY DOWN)



STEP 5 DING-A-LING MUST GLIDE AROUND RETURN



STEP 3 START HERE

DING-A-LING MUST GLIDE ON STARTER

IMPORTANT: DING-A-LING MUST ALWAYS TRAVEL ONE WAY ONLY AROUND THIS SET, AS SHOWN, OR BATTERY LIFE OF POWER PACK WILL BE SHORTENED.

1

DING-A-LING CAN GLIDE UPSIDE DOWN ON STRAIGHT SPACE SKYWAYS ONLY.

2

LEVER

DING-A-LING WILL ALSO WALK ON A FLAT, EVEN SURFACE. LEVER MUST BE IN BOTTOM POSITION. SEE STEP 4 ABOVE.