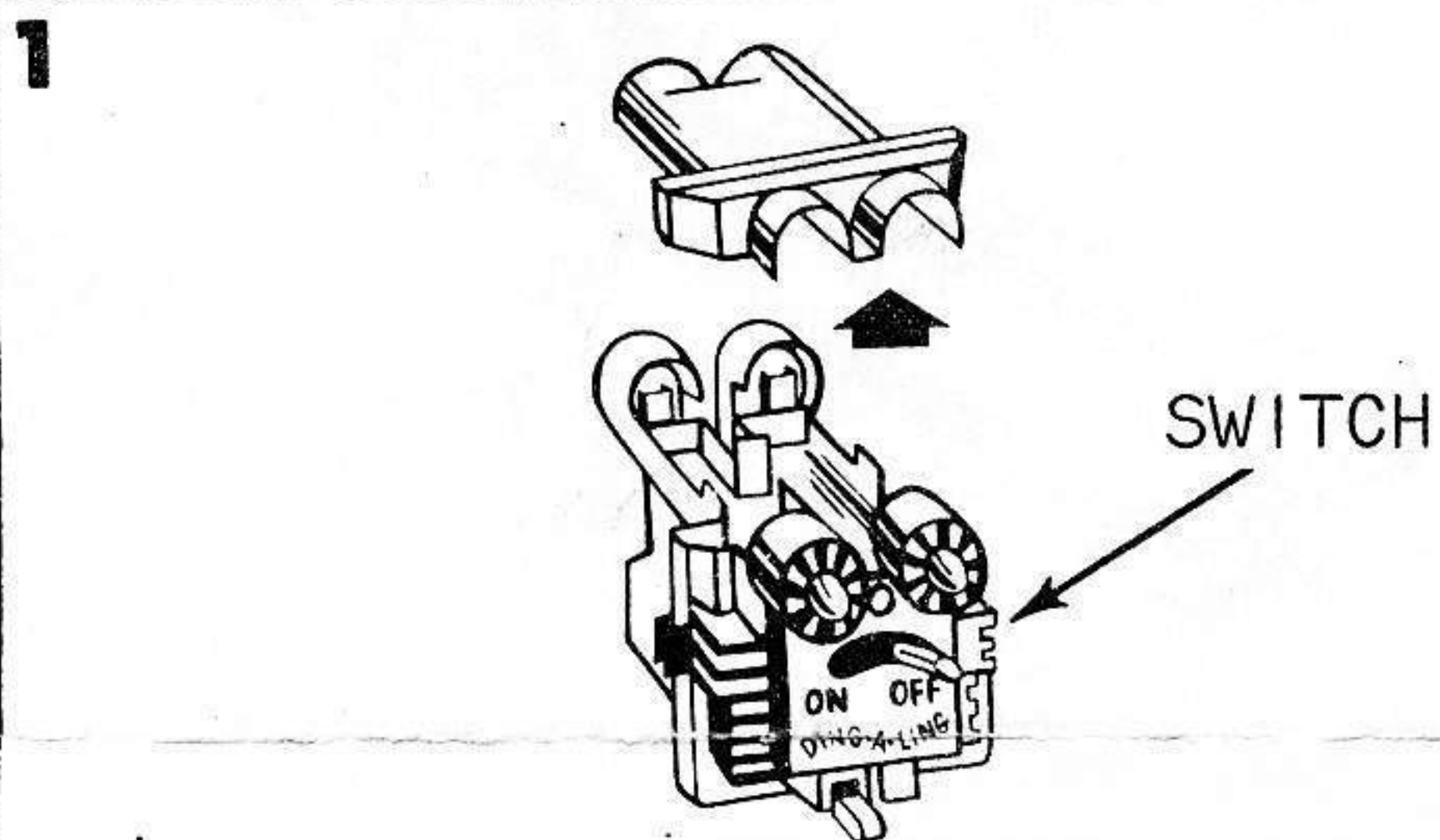


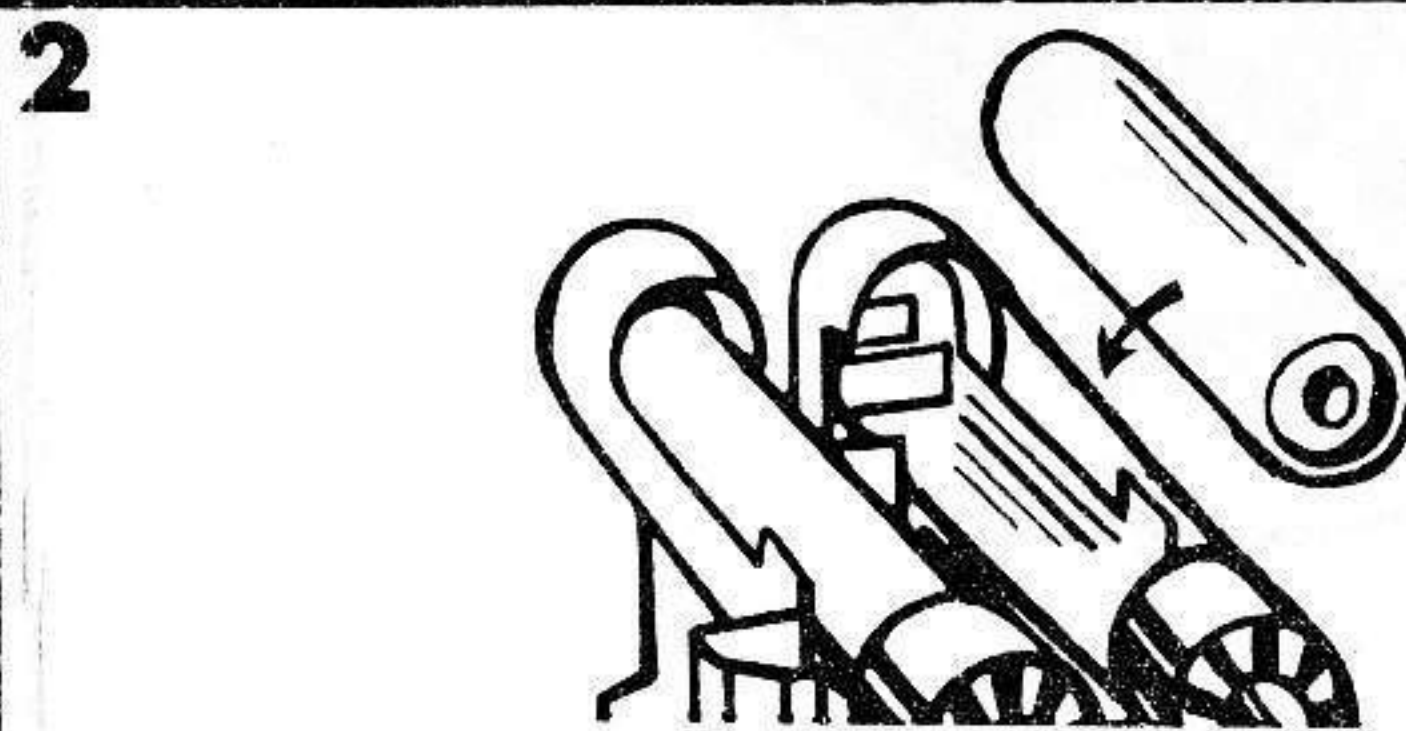
DO NOT THROW THIS SHEET AWAY. READ ALL INSTRUCTIONS CAREFULLY.

2 "AA" BATTERIES REQUIRED. FOR LONGER LIFE USE ALKALINE BATTERIES.

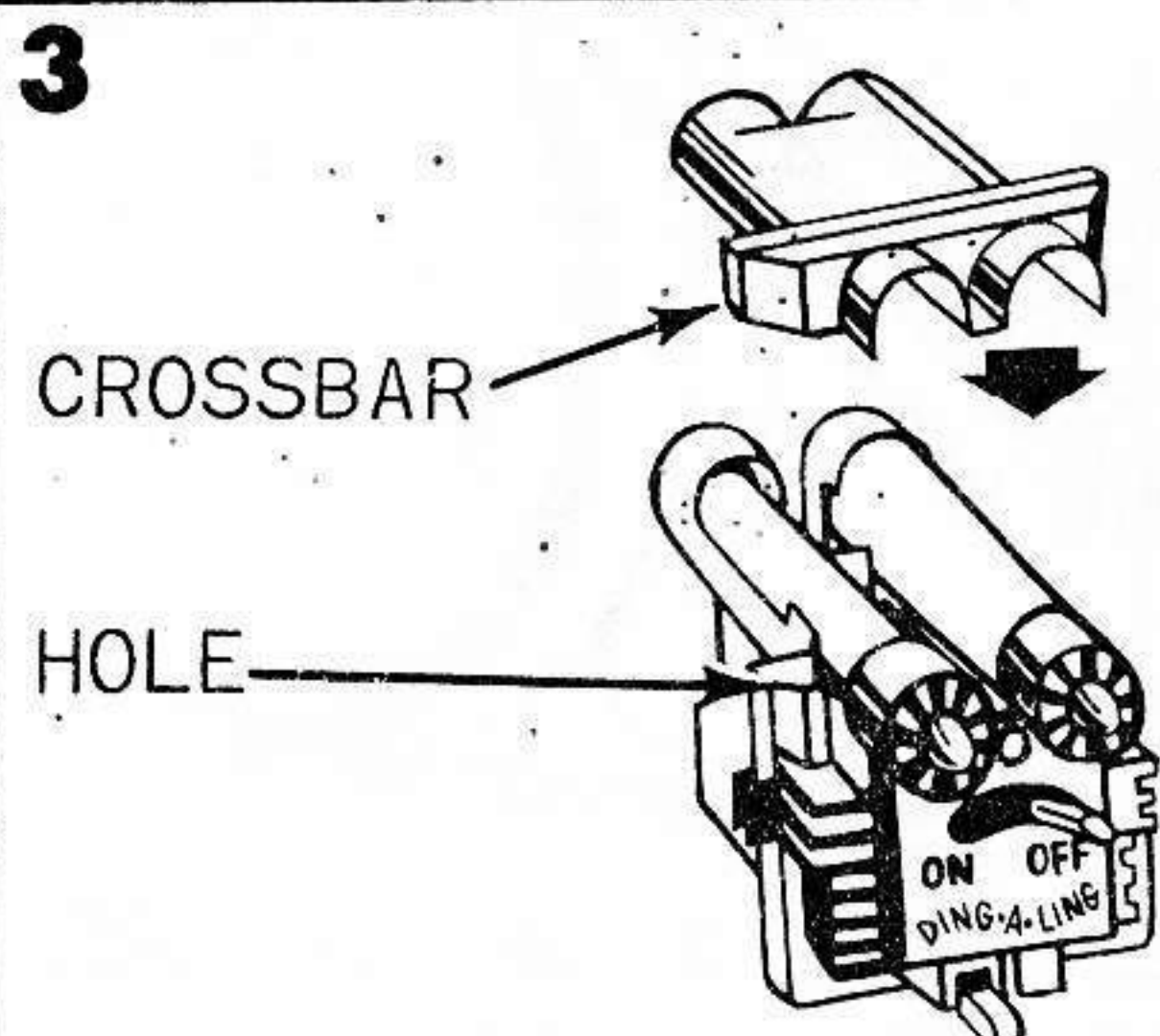
HOW TO INSERT BATTERIES



BE SURE SWITCH ON POWER PACK IS IN "OFF" POSITION. LIFT OFF BATTERY COVER AS SHOWN.



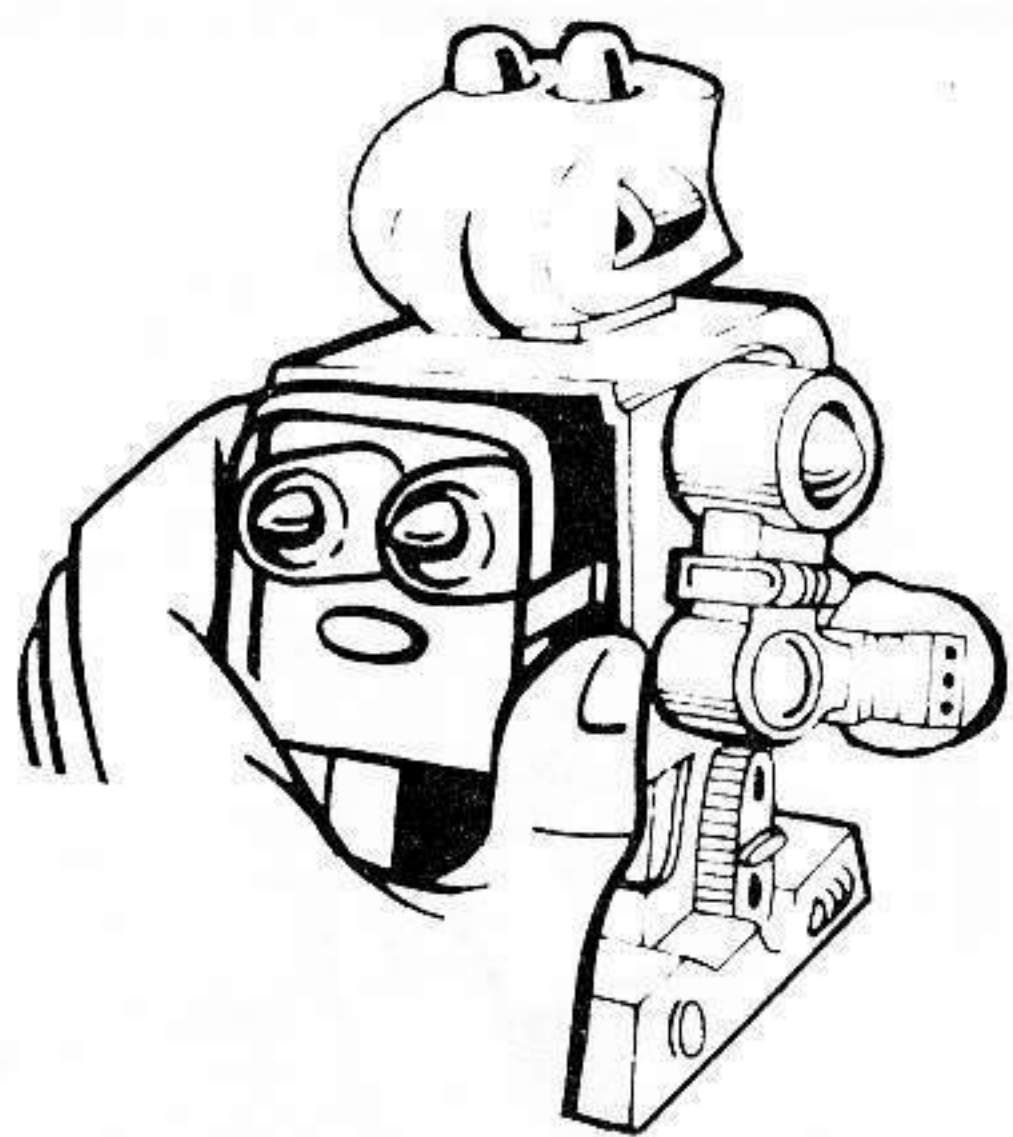
INSERT 2 "AA" BATTERIES, FOLLOWING DIAGRAM INSIDE BATTERY HOLDER. IMPORTANT: POWER PACK WILL NOT OPERATE UNLESS BATTERIES ARE INSERTED PROPERLY AND BATTERY COVER IS IN PLACE.



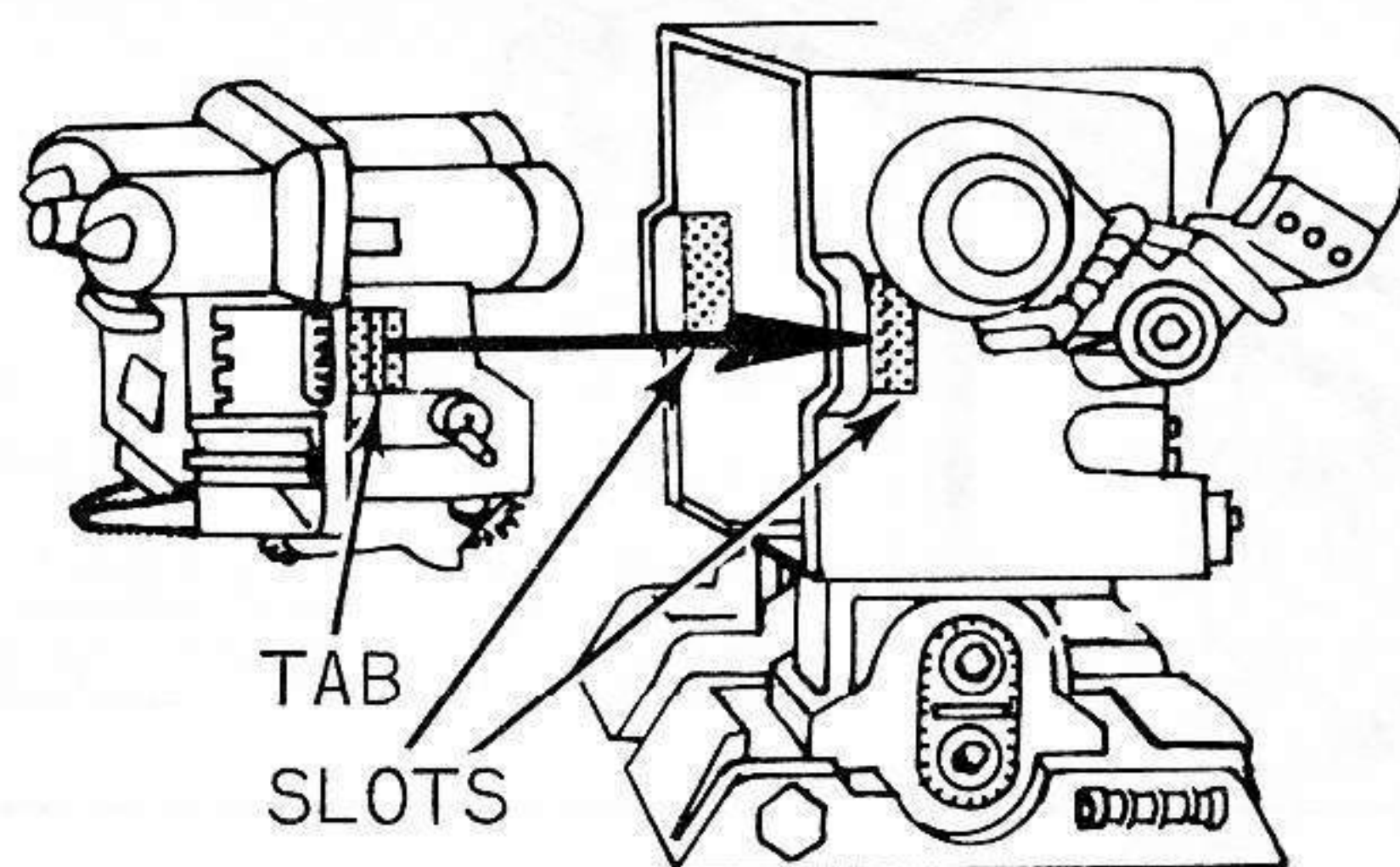
TO PUT ON BATTERY COVER, FIT CROSSBAR INTO HOLES IN POWER PACK, AS SHOWN. SNAP COVER INTO PLACE.

CAUTION:
Never turn Power Pack on outside Ding-A-Ling's body — Battery life will be shortened.

HOW TO INSERT POWER PACK



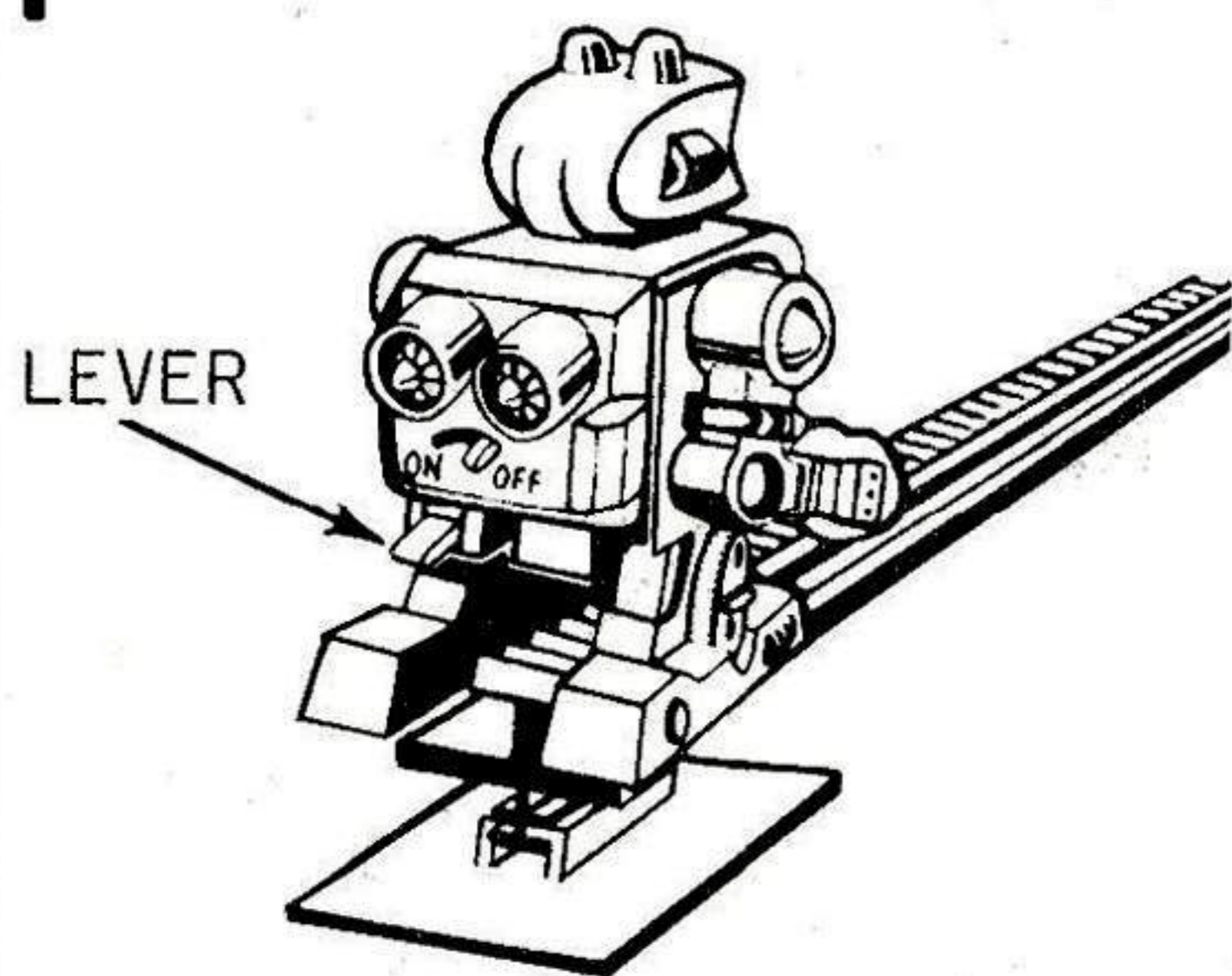
REMOVE BACK FROM ANY DING-A-LING (SOLD SEPARATELY), BY PRESSING IN ONE SIDE OF BACK AND LIFTING IT OFF.



TO INSERT POWER PACK, HOLD AS SHOWN AND PUSH ALL THE WAY IN UNTIL IT CLICKS INTO PLACE. BE SURE TABS OF POWER PACK FIT INTO SLOTS IN DING-A-LING, AS SHOWN.

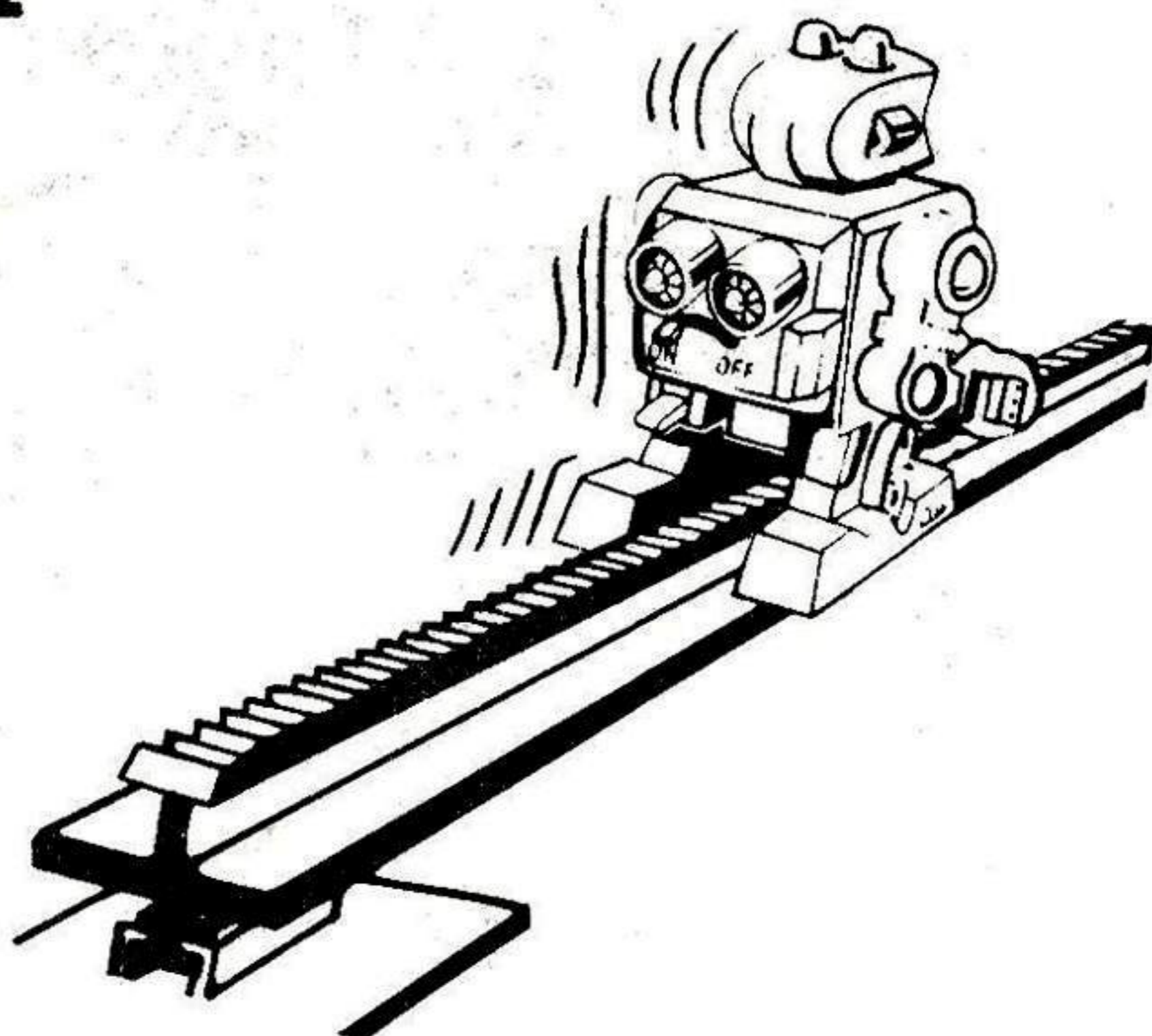
HOW TO OPERATE DING-A-LING

1



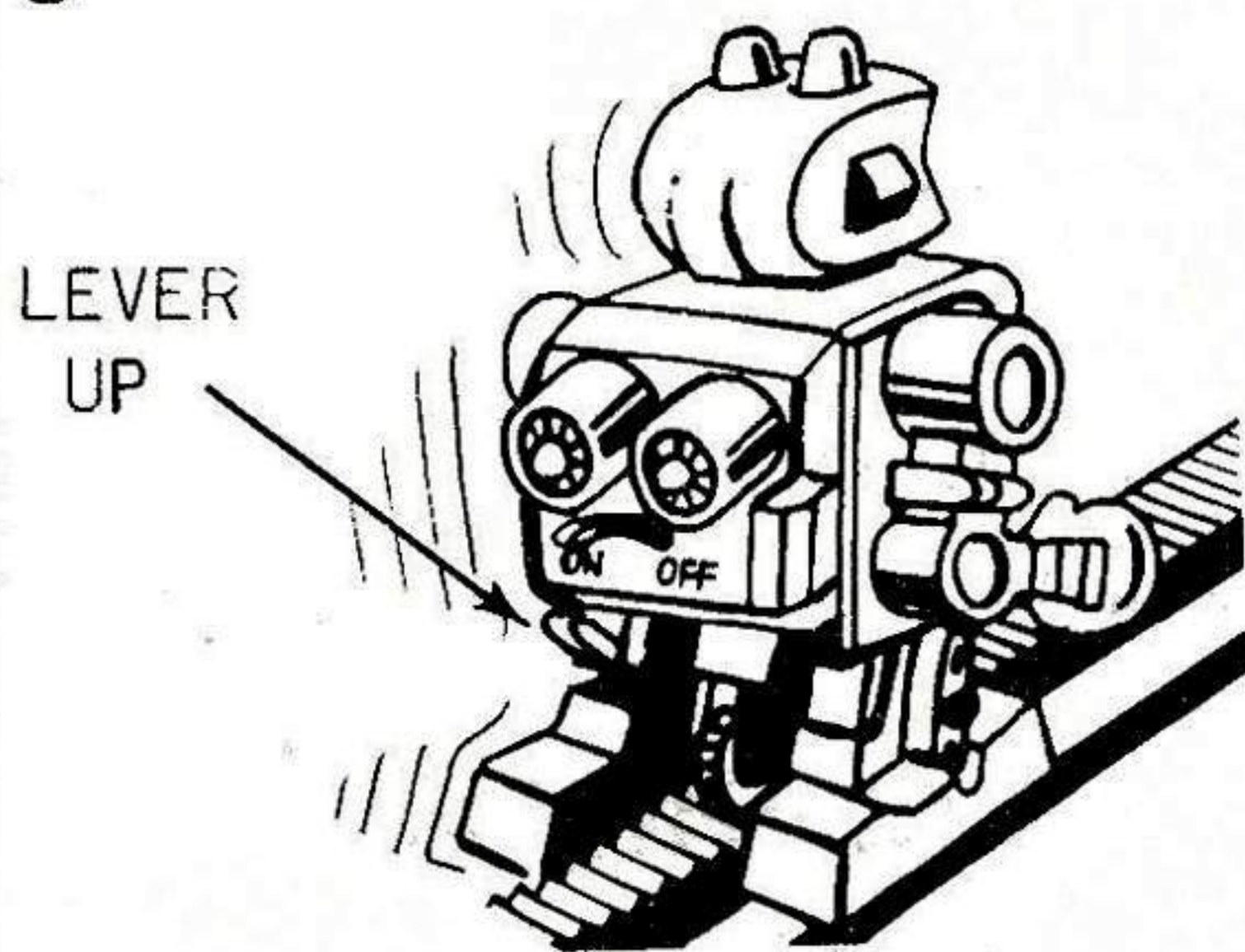
TO MAKE DING-A-LING WALK, SLIDE ONTO ANY STRAIGHT SECTION OF A SPACE SKYWAY SET (SOLD SEPARATELY). BE SURE LEVER IS IN THE BOTTOM POSITION, AS SHOWN.

2



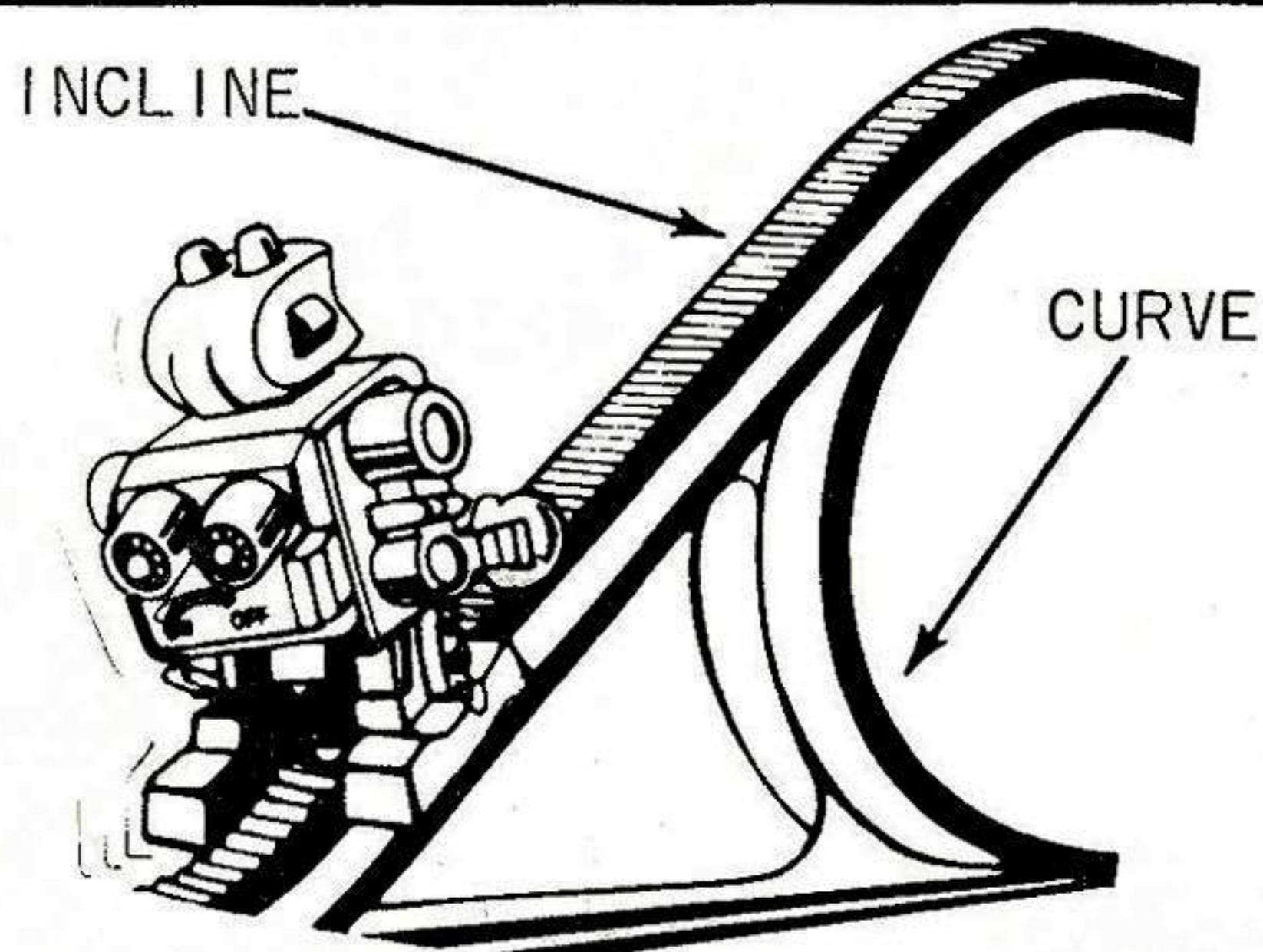
MOVE SWITCH TO "ON" AND DING-A-LING WILL WALK.

3



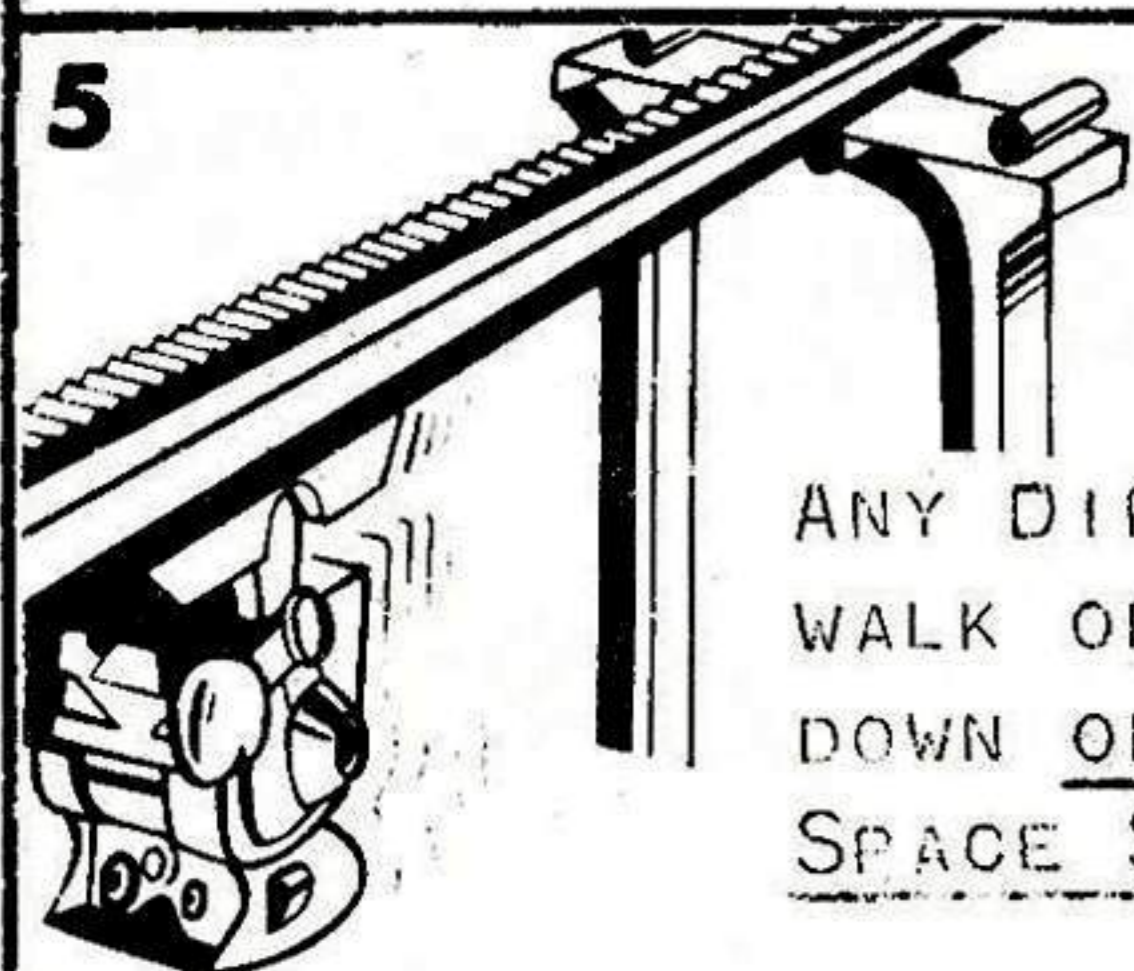
TO MAKE DING-A-LING GLIDE, MOVE LEVER ALL THE WAY UP WHILE POWER PACK IS ON. BE SURE LEVER IS ALL THE WAY UP.

4



DING-A-LING MUST ALWAYS GLIDE UP AND DOWN AN INCLINE OR AROUND ANY CURVE IN A SPACE SKYWAY SET. DING-A-LING CANNOT WALK ON INCLINED OR CURVED SPACE SKYWAYS.

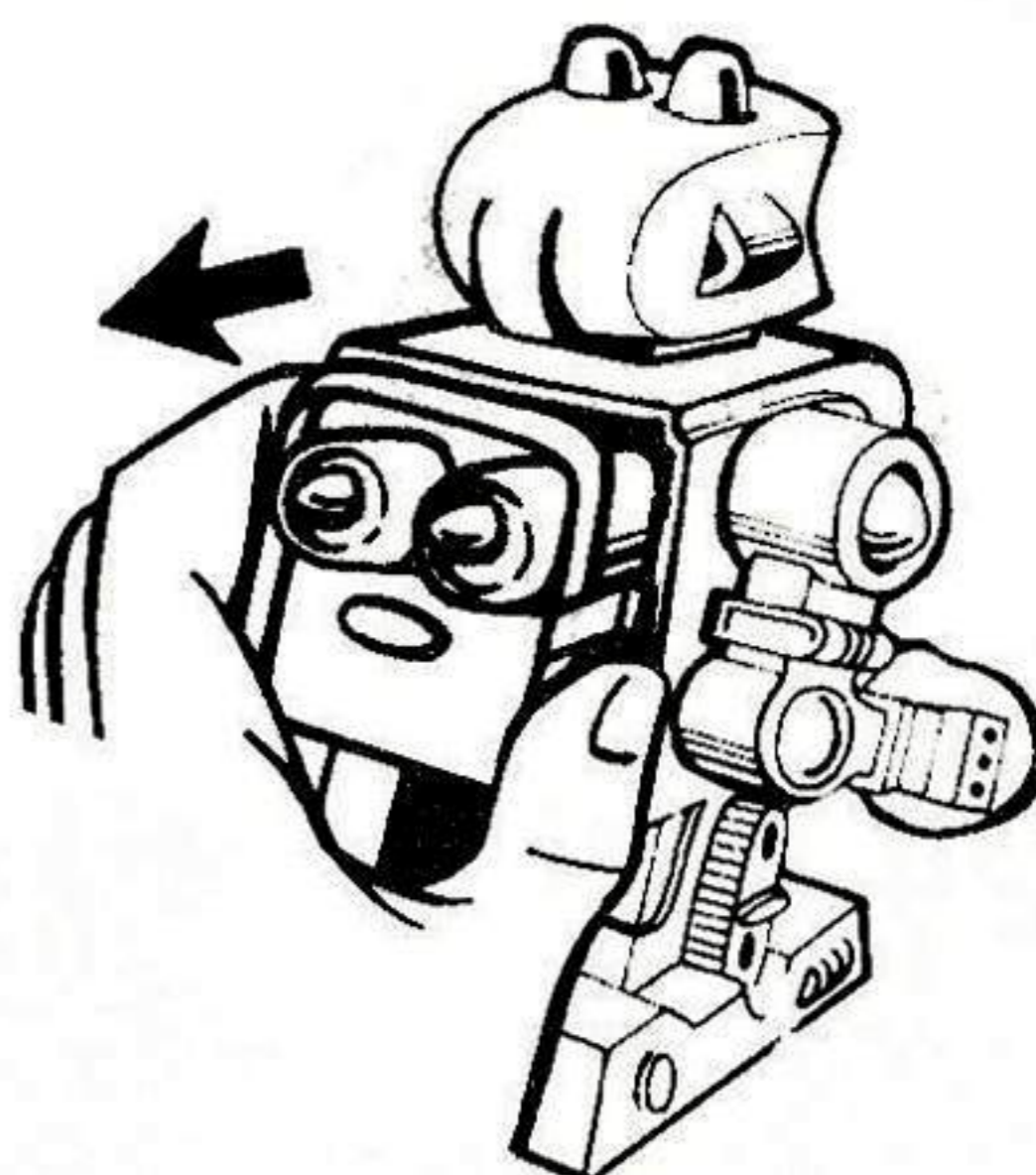
5



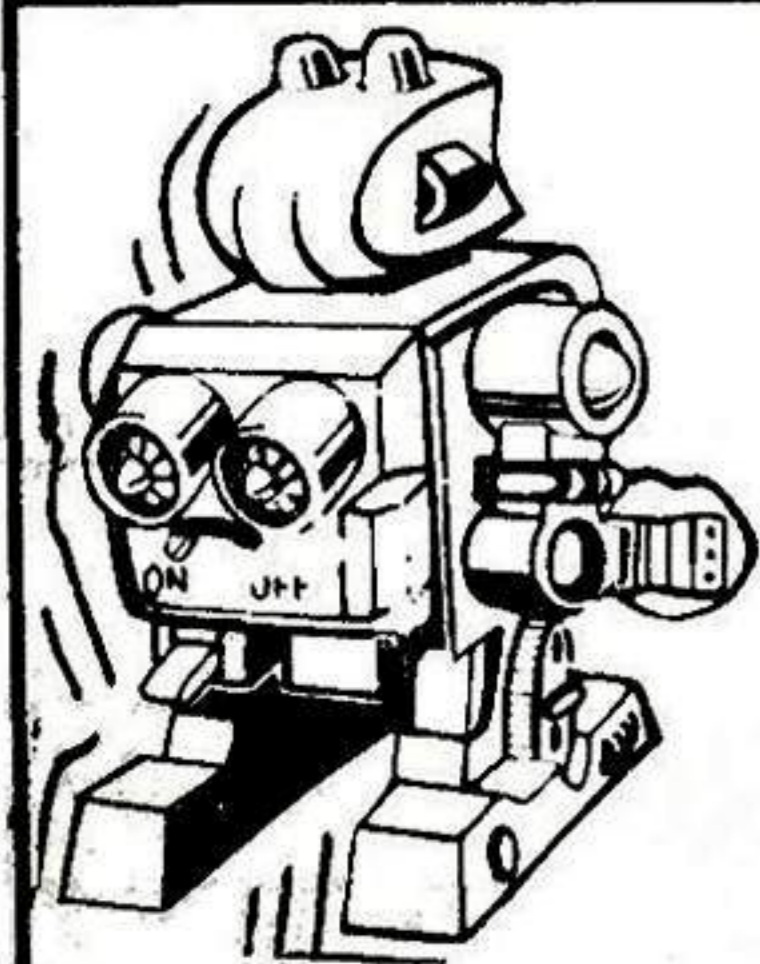
ANY DING-A-LING CAN WALK OR GLIDE UPSIDE DOWN ON STRAIGHT SPACE SKYWAYS ONLY.

HOW TO REMOVE POWER PACK

6



TO REMOVE POWER PACK, PRESS IN SIDES AS SHOWN, AND PULL OUT.



DING-A-LINGS WILL ALSO WALK ON A FLAT, EVEN SURFACE. LEVER MUST BE IN BOTTOM POSITION. SEE STEP 1 ABOVE.