



BRIDGE SET

INSTRUCTION SHEET

DO NOT THROW THIS SHEET AWAY. USE FOR FUTURE REFERENCE. READ ALL INSTRUCTIONS CAREFULLY.

2 "AA" BATTERIES REQUIRED (NOT INCLUDED). FOR LONGER LIFE, USE ALKALINE BATTERIES.

CONTENTS:

4 DING-A-LINGS



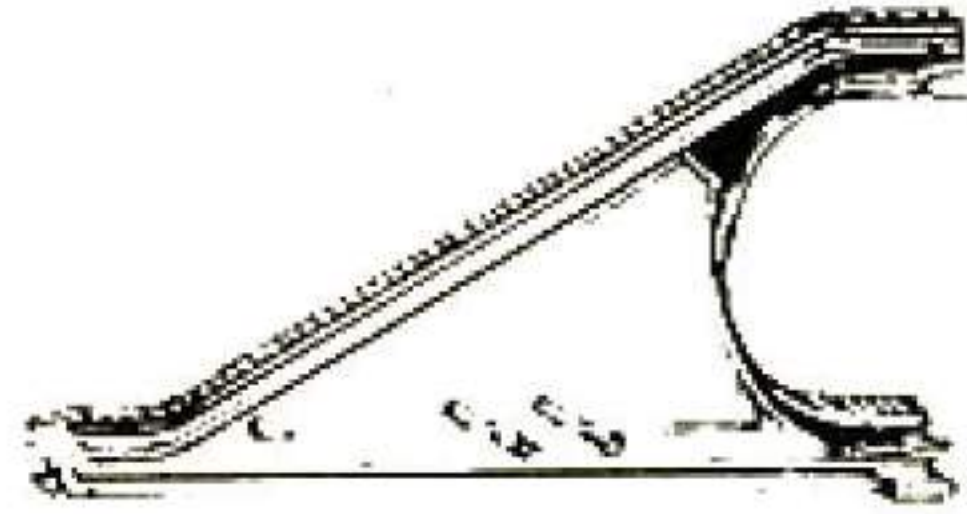
3 SPACE SKYWAYS



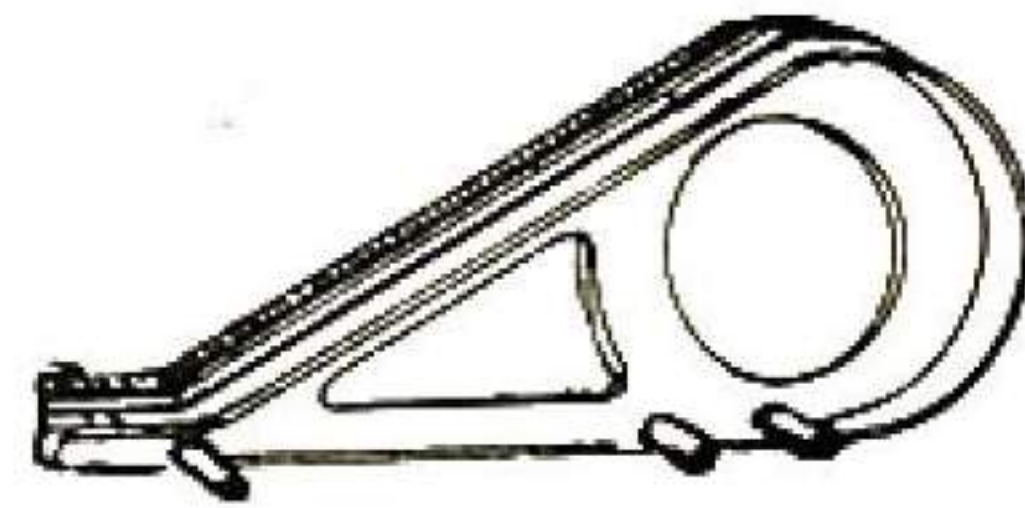
28 CONNECTORS



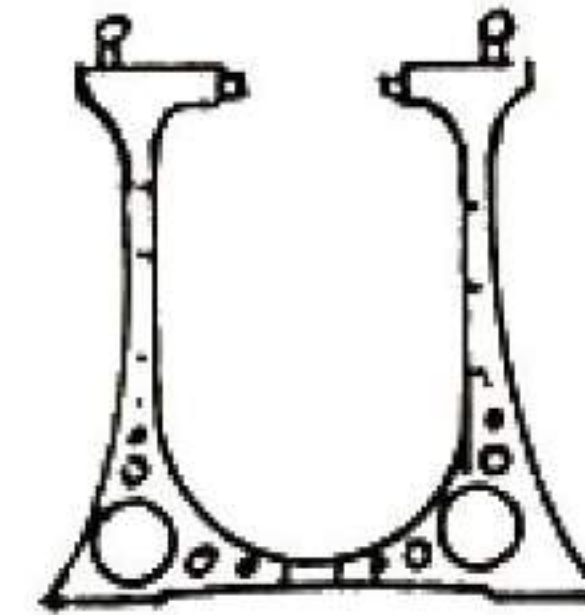
1 POWER PACK



7 SPACE SKYWAY STARTERS



1 SPACE SKYWAY RETURN

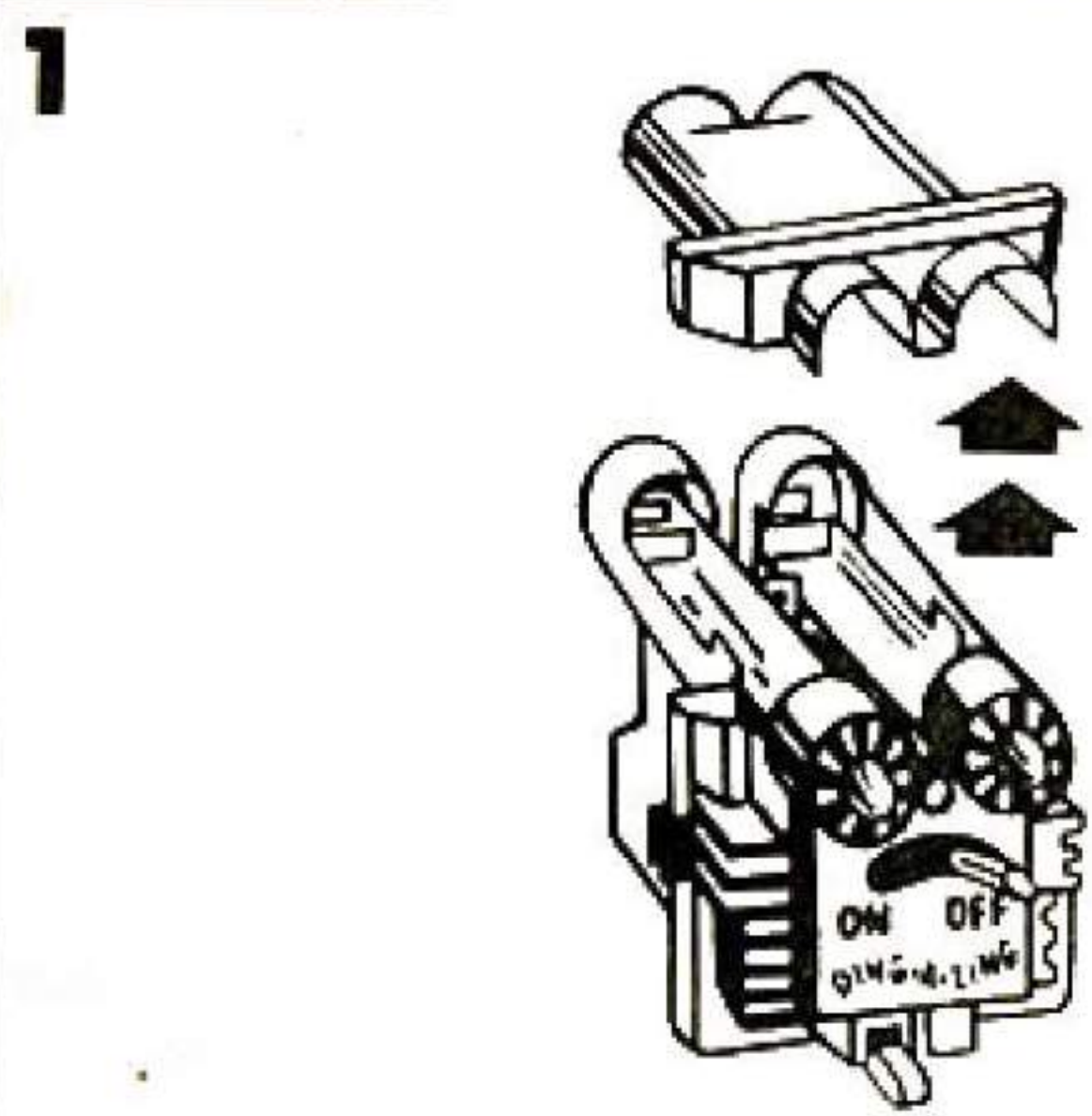


3 UPRIGHTS

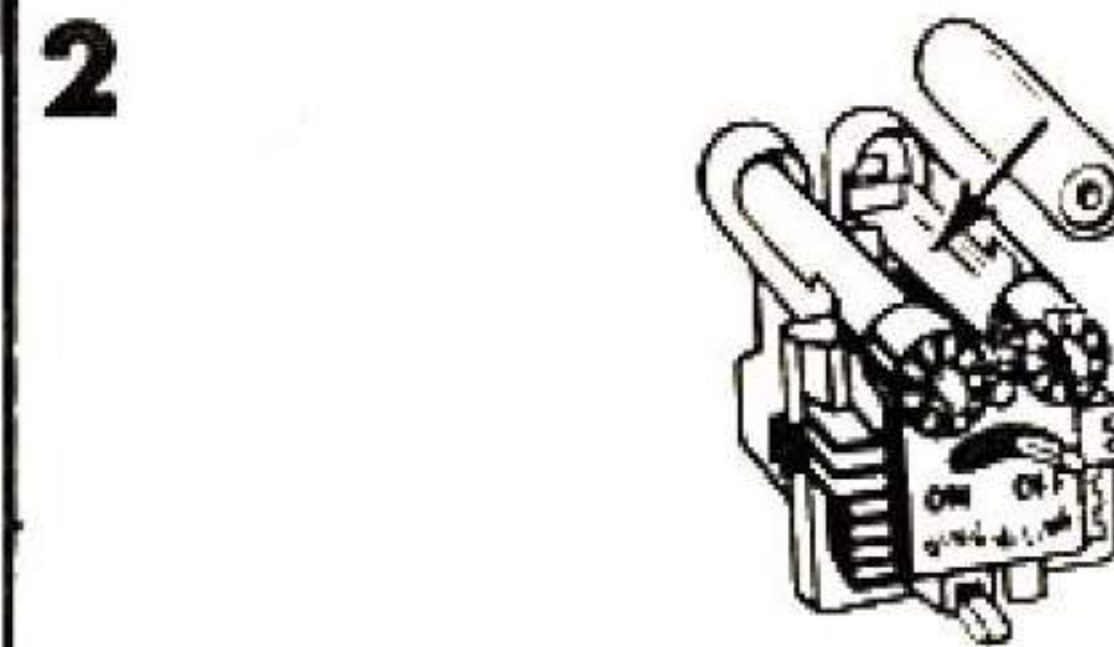


5 BASE CONNECTORS

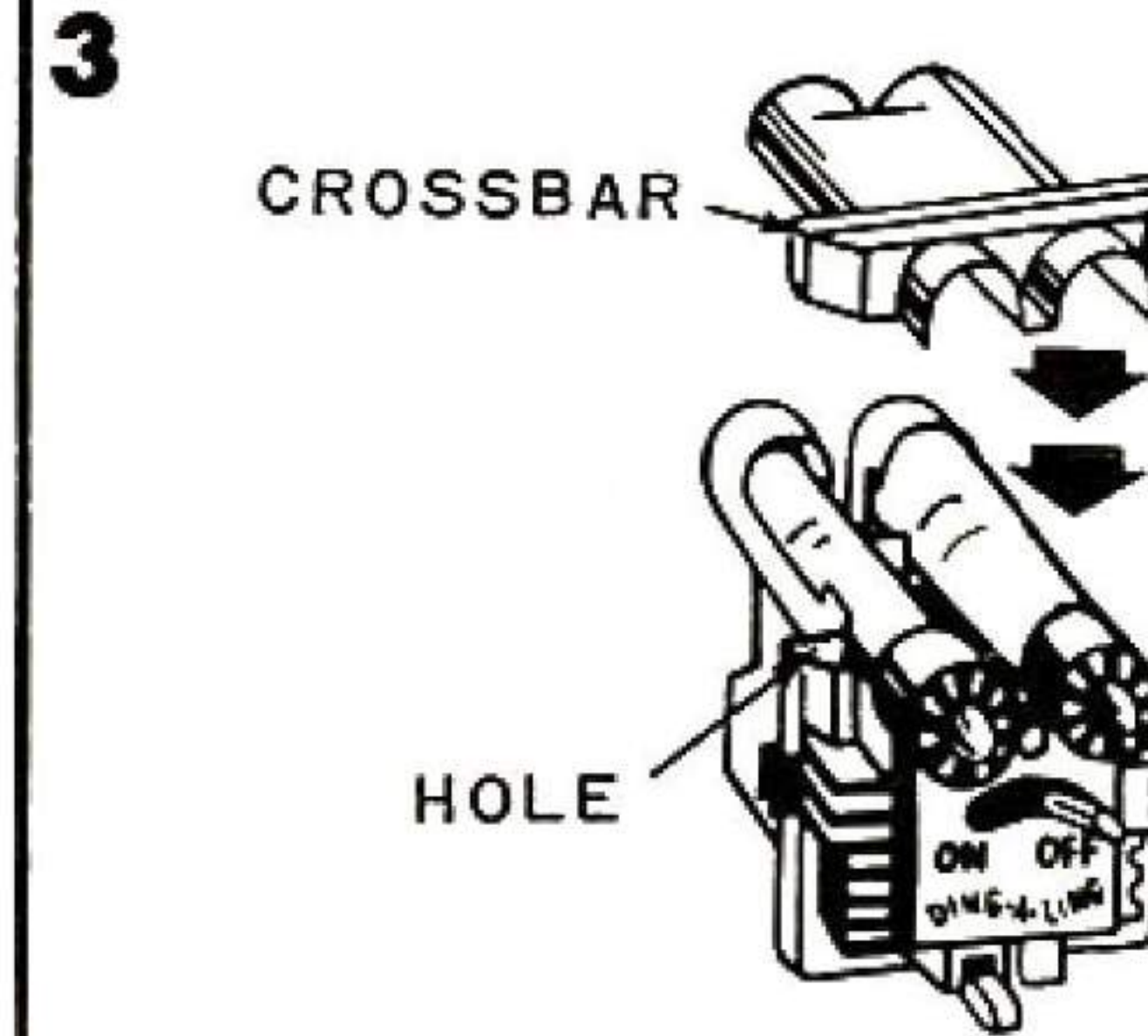
HOW TO ASSEMBLE POWER PACK



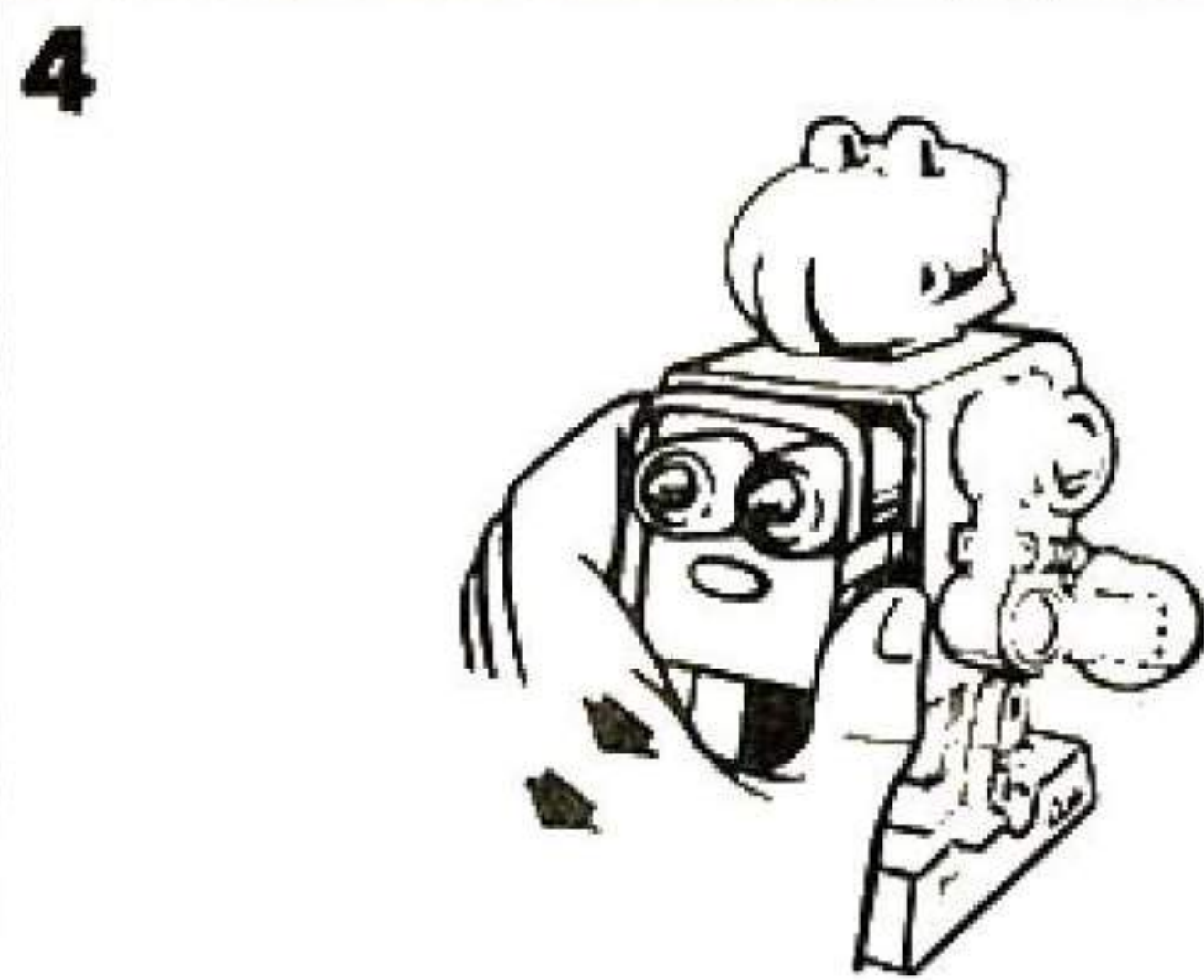
BE SURE SWITCH ON POWER PACK IS IN THE "OFF" POSITION. LIFT OFF BATTERY COVER, AS SHOWN.



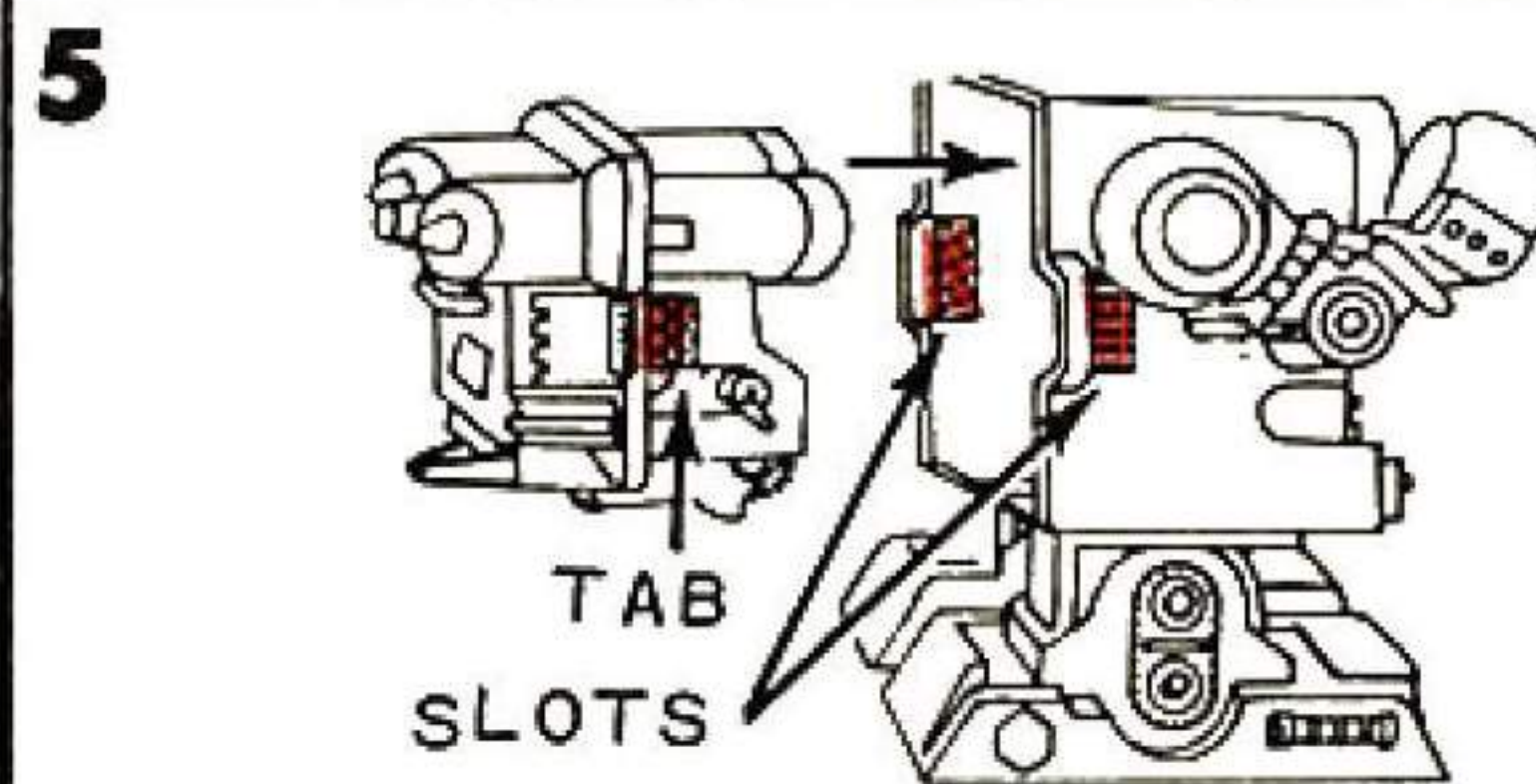
INSERT 2 "AA" BATTERIES (NOT INCLUDED), FOLLOWING DIAGRAM INSIDE BATTERY HOLDER. **IMPORTANT:** POWER PACK WILL NOT OPERATE UNLESS BATTERIES ARE INSERTED PROPERLY AND BATTERY COVER IS IN PLACE.



TO PUT ON BATTERY COVER, FIT CROSSBAR INTO HOLES IN POWER PACK AND SNAP COVER INTO PLACE.

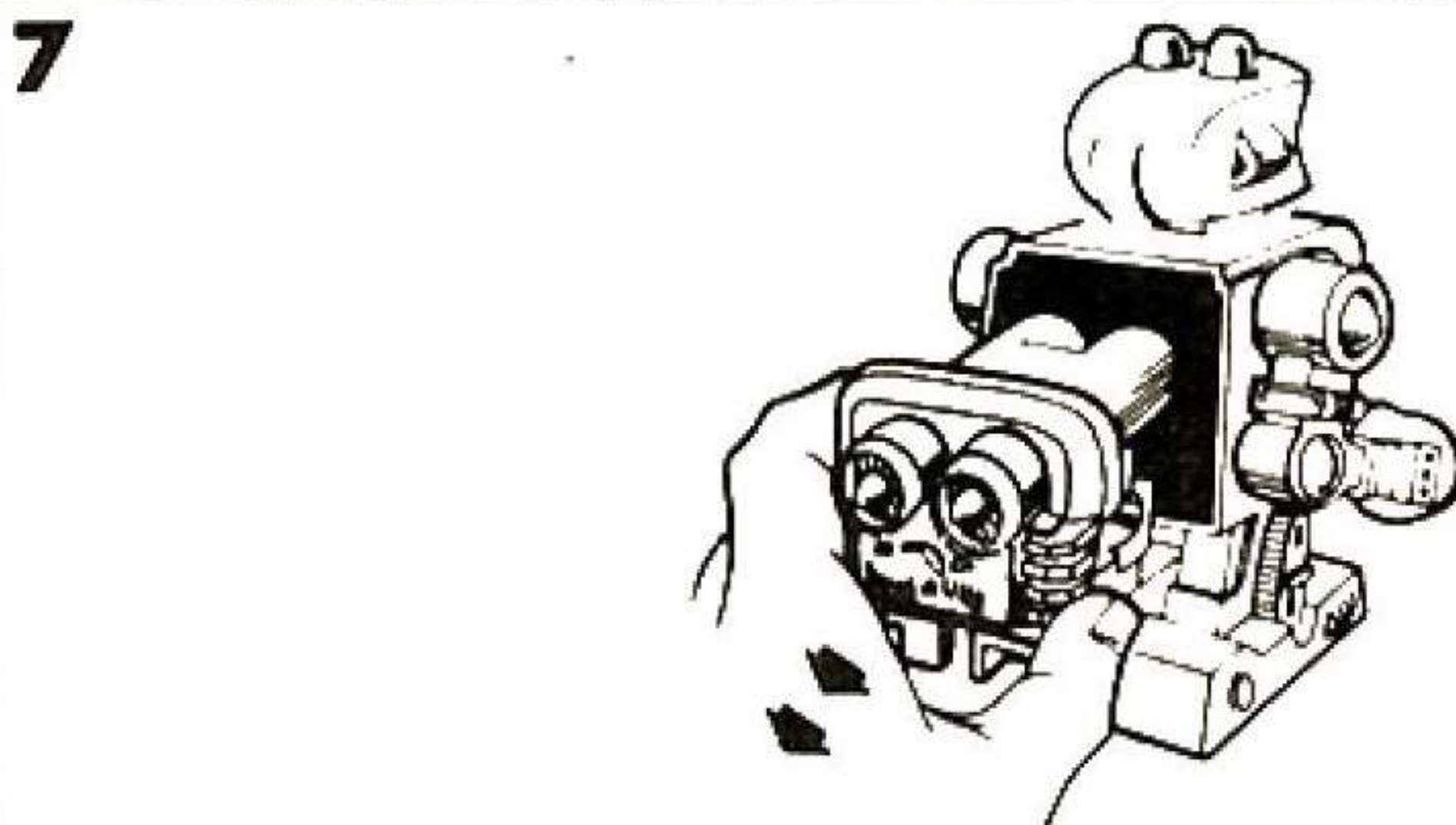


REMOVE BACK FROM DING-A-LING BY PRESSING IN ONE SIDE OF BACK AND LIFTING IT OFF.



TO INSERT POWER PACK, HOLD AS SHOWN AND PUSH ALL THE WAY IN UNTIL IT CLICKS INTO PLACE. **BE SURE TABS OF POWER PACK FITS INTO SLOTS IN DING-A-LING, AS SHOWN.**

CAUTION:
Never turn Power Pack on outside Ding-A-Ling's body—Battery life will be shortened.



THE POWER PACK WILL FIT ALL DING-A-LINGS (OTHER DING-A-LINGS SOLD SEPARATELY). TO REMOVE POWER PACK, PRESS IN SIDES AS SHOWN, PULL OUT, AND PUT INTO ANOTHER DING-A-LING.

HOW TO CARE FOR POWER PACK

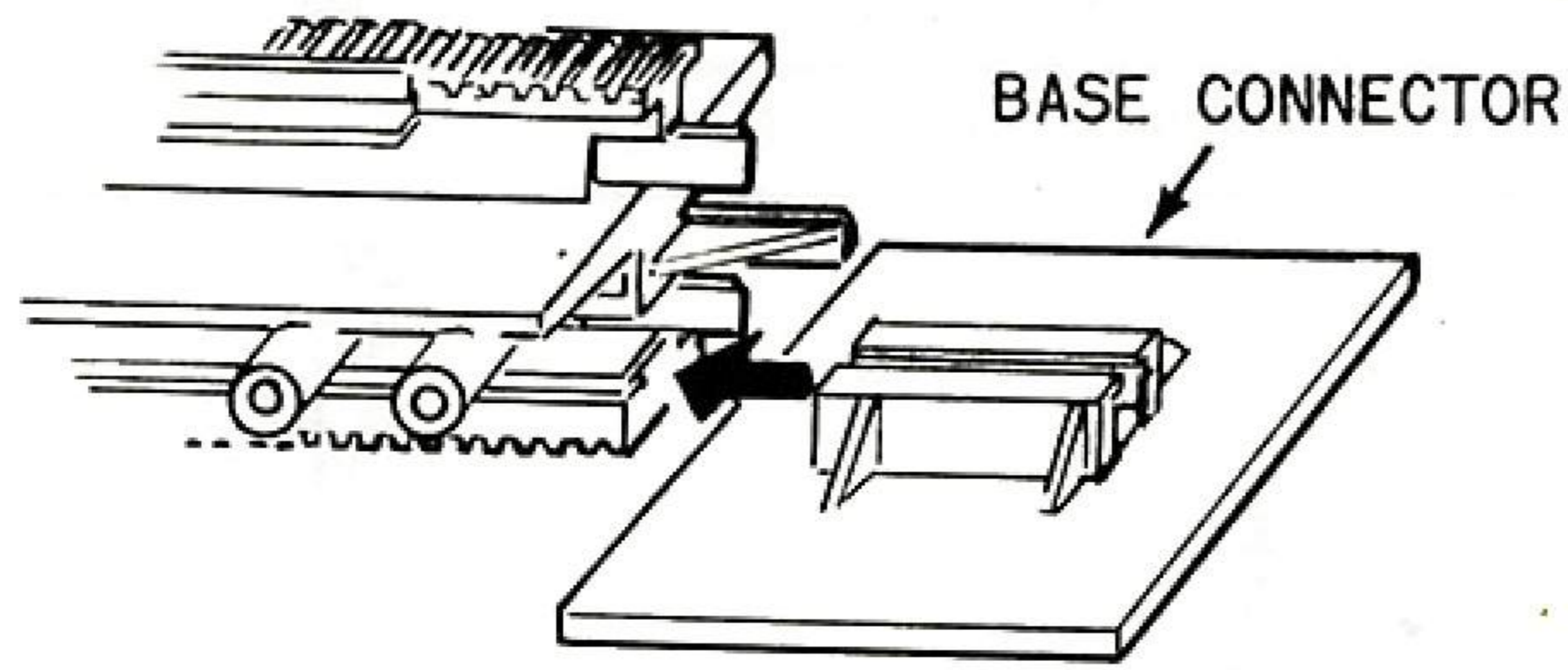
- IF POWER PACK DOES NOT WORK, CHECK TO SEE IF BATTERIES HAVE BEEN PUT IN CORRECTLY.
- IF POWER PACK STOPS WORKING:
 - GENTLY LIFT METAL STRIPS INSIDE BATTERY HOLDER TO MAKE BETTER CONTACT WITH BATTERIES.
 - BE SURE BATTERIES ARE NOT WEAK.
- ALWAYS TURN POWER PACK OFF WHEN YOU ARE NOT PLAYING WITH DING-A-LING.



HOW TO ASSEMBLE BRIDGE SET

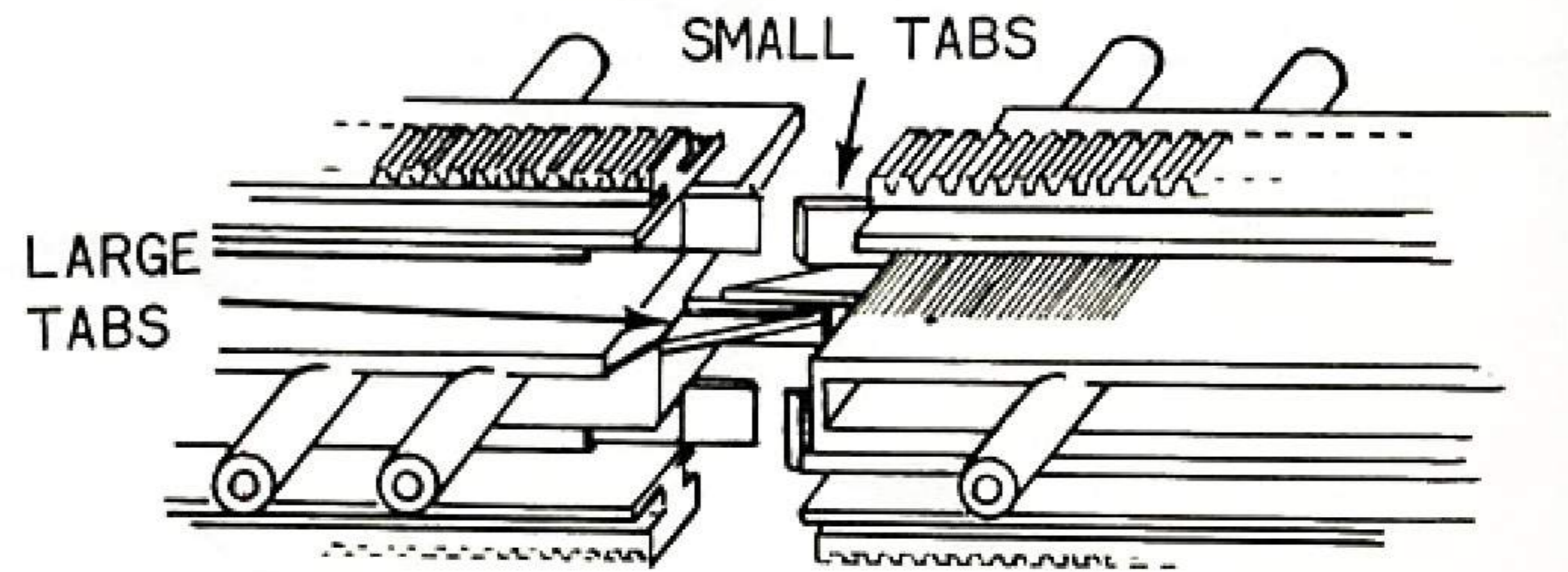
PICTURES 1 THROUGH 4 SHOW THE FOUR BASIC WAYS TO JOIN SPACE SKYWAY PIECES. ASSEMBLE SECTION 1 FIRST AND THEN SECTION 2. PUT THE TWO SECTIONS TOGETHER AS SHOWN AT THE TOP OF PAGE 3.

1 HOW TO ATTACH BASE CONNECTORS



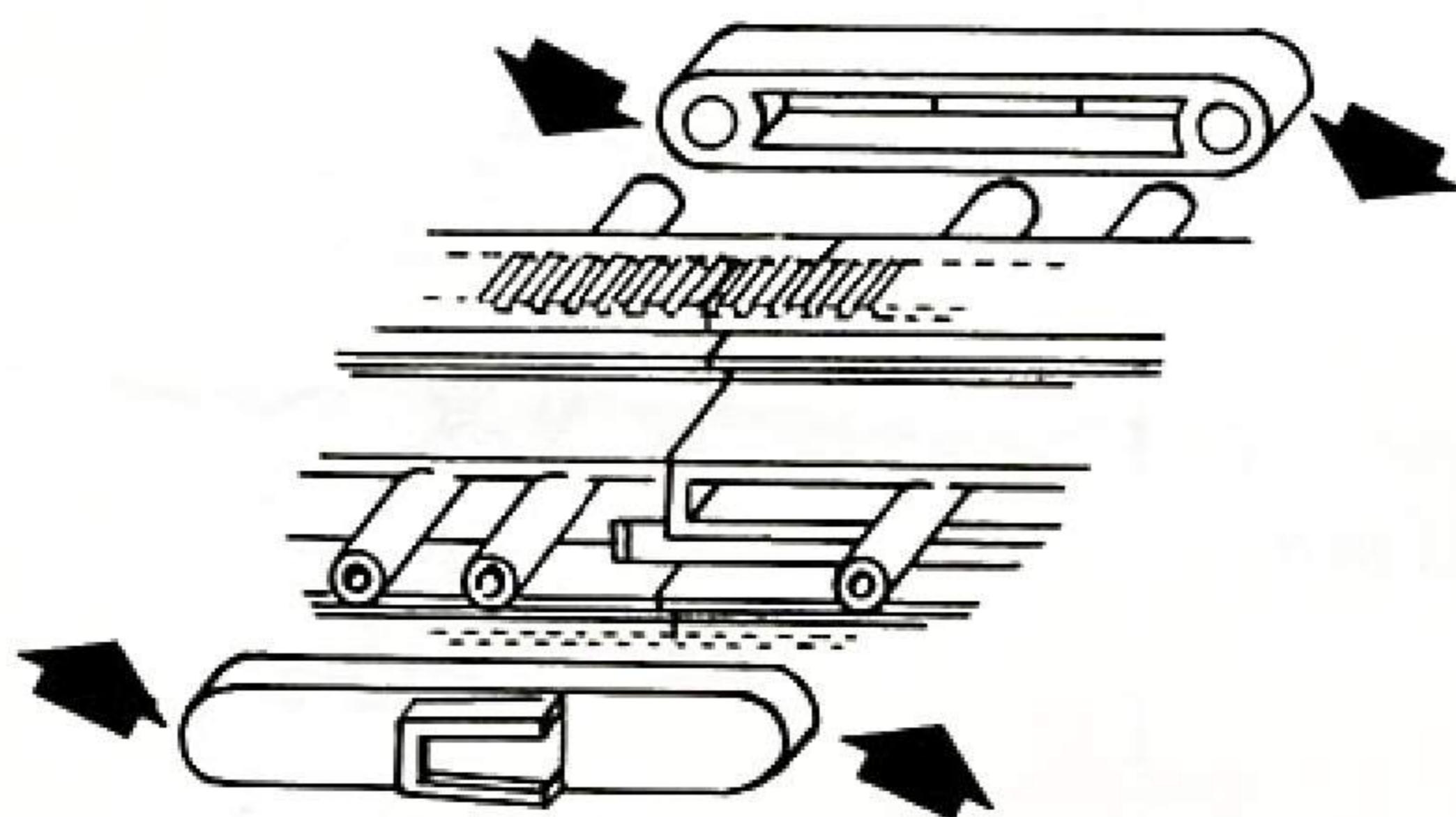
SLIDE TOP OF BASE CONNECTOR ONTO LOWER GROOVES OF SPACE SKYWAY PIECE.

2 HOW TO PUT PIECES TOGETHER



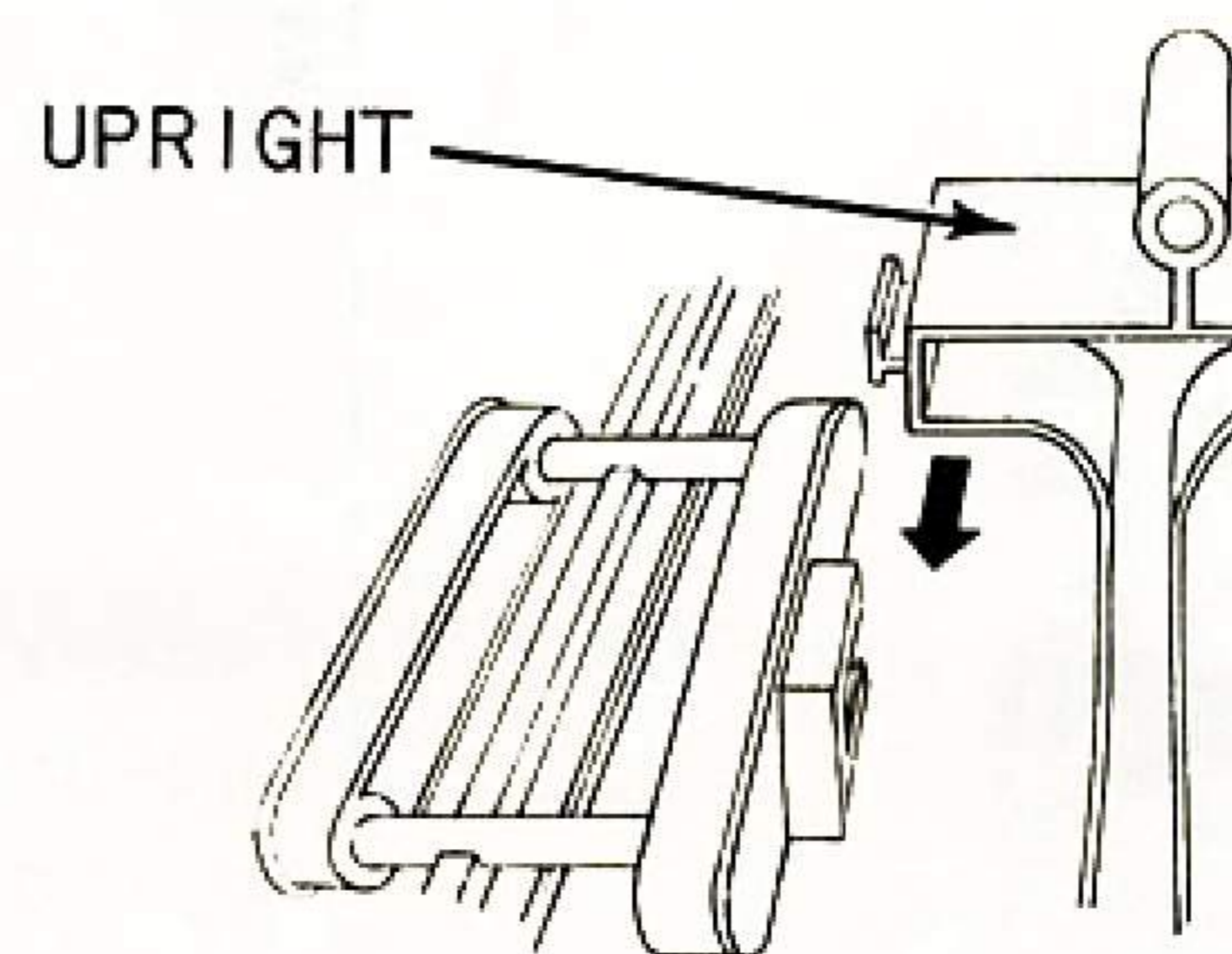
1. PUT FLAT SIDE OF LARGE TABS TOGETHER. PUSH IN UNTIL SMALL TABS TOUCH.
2. TWIST ONE PIECE VERY SLIGHTLY TOWARDS YOU OR AWAY FROM YOU AND PUSH TOGETHER.

3 HOW TO ATTACH CONNECTORS



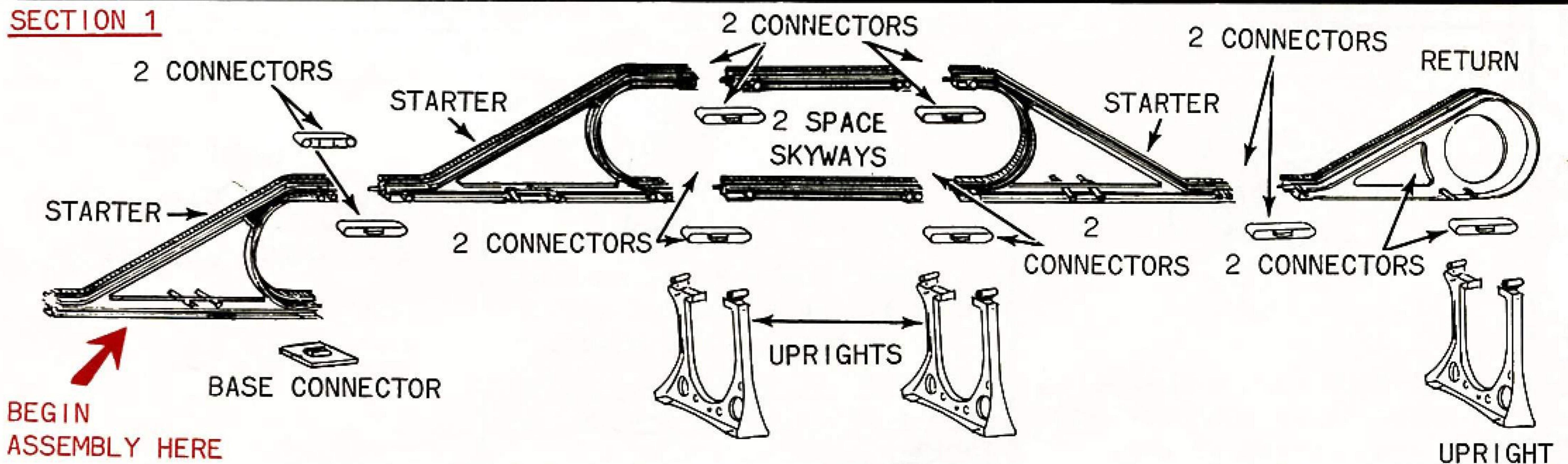
PUSH CONNECTORS ONTO POSTS ON SPACE SKYWAY PIECES, AS SHOWN.

4 HOW TO ATTACH UPRIGHTS

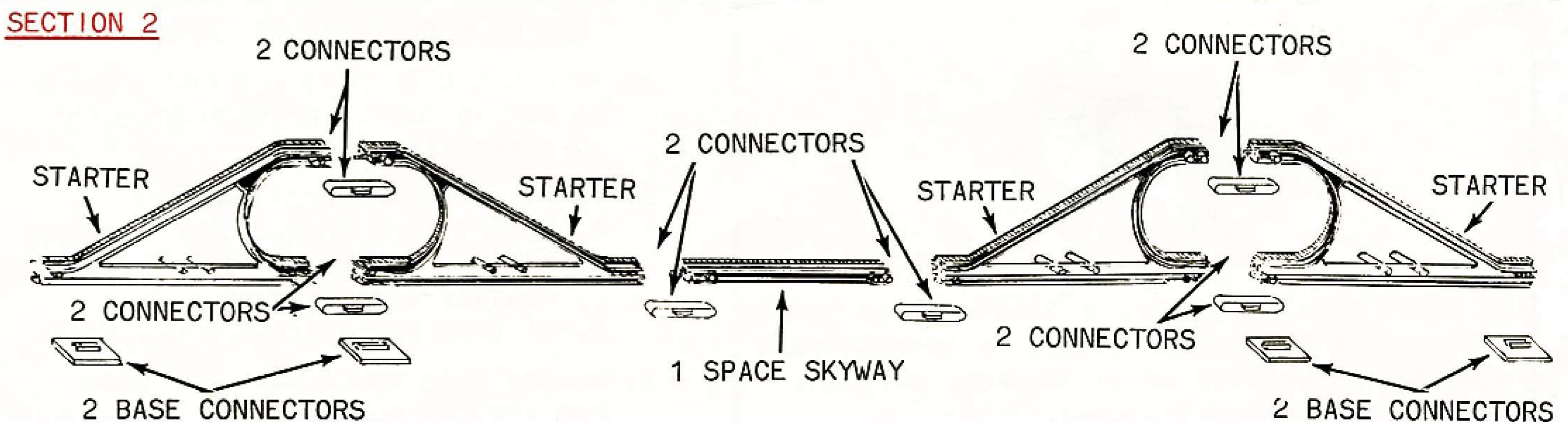


SLIDE BOTH SIDES OF UPRIGHTS ONTO TABS OF CONNECTORS, AS SHOWN.

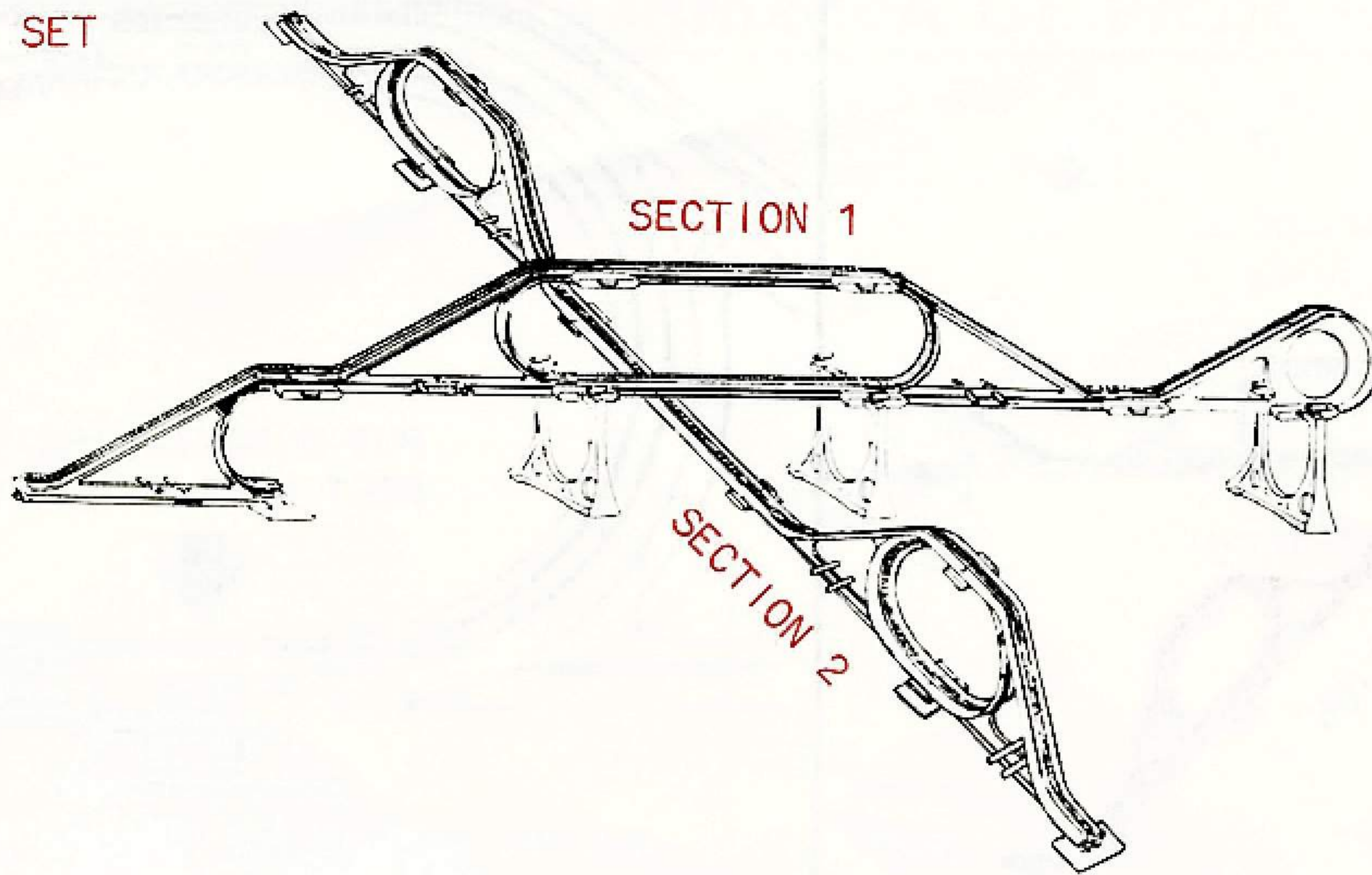
SECTION 1



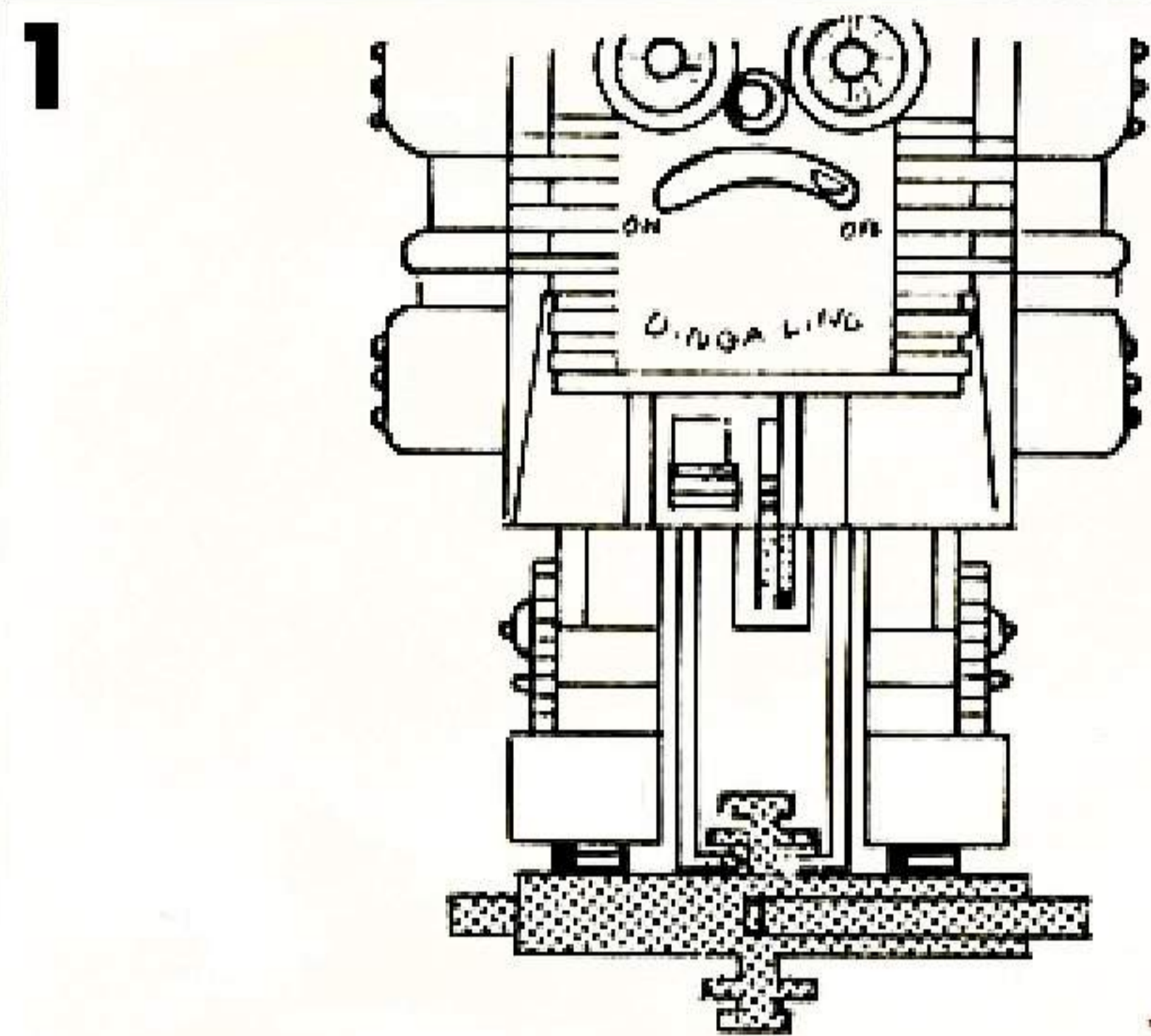
SECTION 2



ASSEMBLED BRIDGE SET



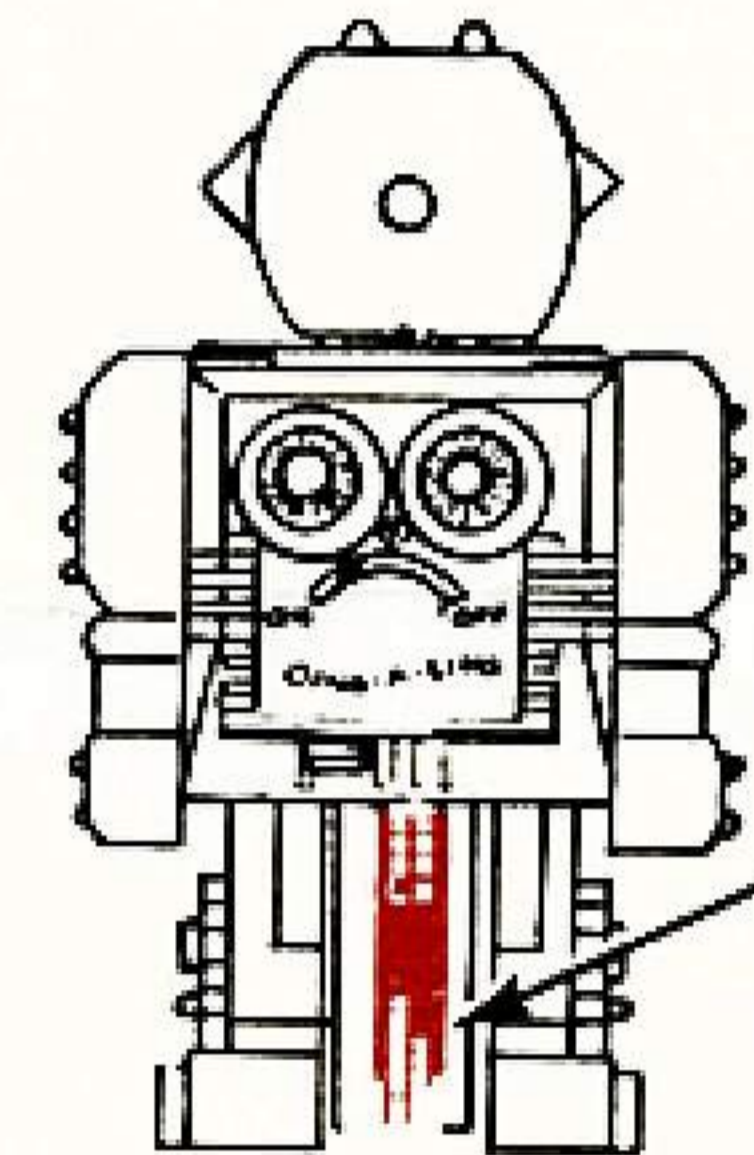
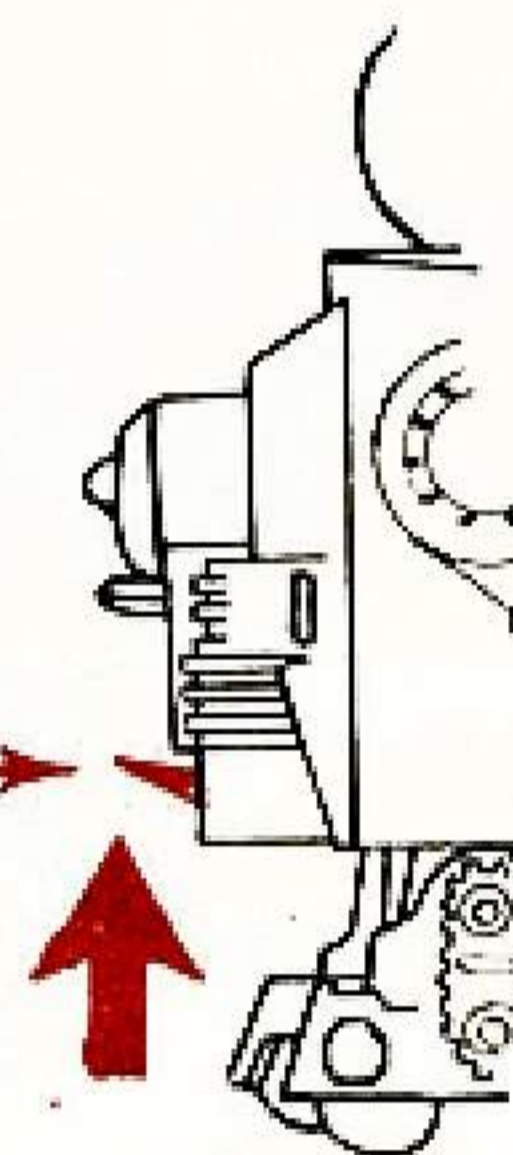
HOW TO PLAY



BE SURE SWITCH ON POWER PACK IS IN THE "OFF" POSITION. SLIDE FEET OF DING-A-LING ONTO BEGINNING OF STARTER.

2 HOW TO MAKE DING-A-LING GLIDE

LEVER IN GLIDE POSITION (ALL THE WAY UP)

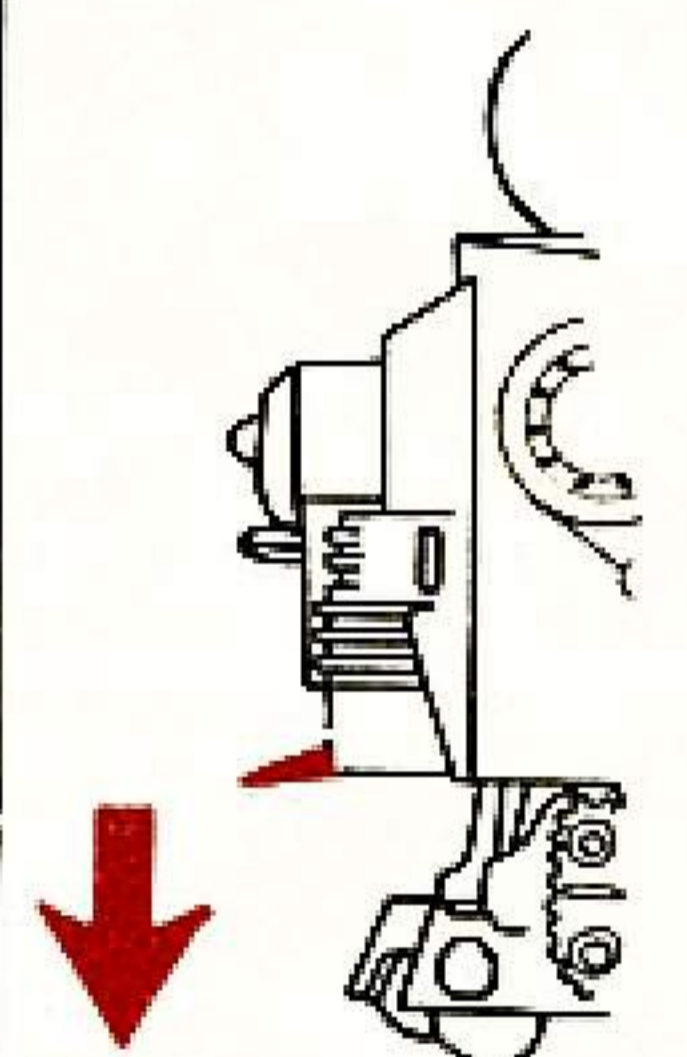


GEAR IS LOCKED IN PLACE

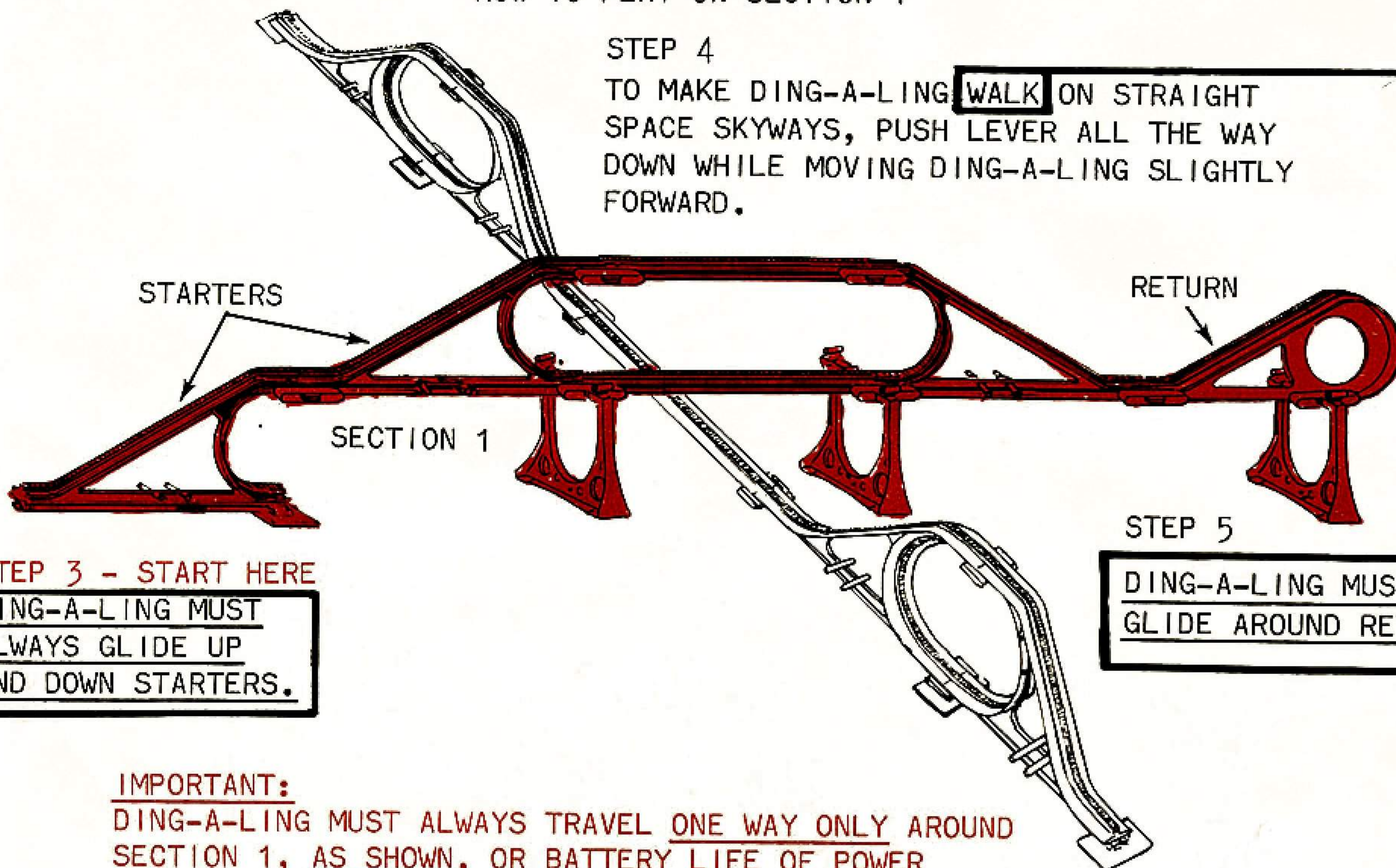
TO MAKE DING-A-LING GLIDE, MOVE SWITCH TO "ON" AND PUSH LEVER ALL THE WAY UP. A GEAR WILL DROP BETWEEN DING-A-LING'S FEET. WHEN LEVER IS ALL THE WAY UP, THE GEAR WILL LOCK IN PLACE.

HOW TO PLAY ON SECTION 1

STEP 4
TO MAKE DING-A-LING **WALK** ON STRAIGHT SPACE SKYWAYS, PUSH LEVER ALL THE WAY DOWN WHILE MOVING DING-A-LING SLIGHTLY FORWARD.



LEVER IN WALK POSITION (ALL THE WAY DOWN)



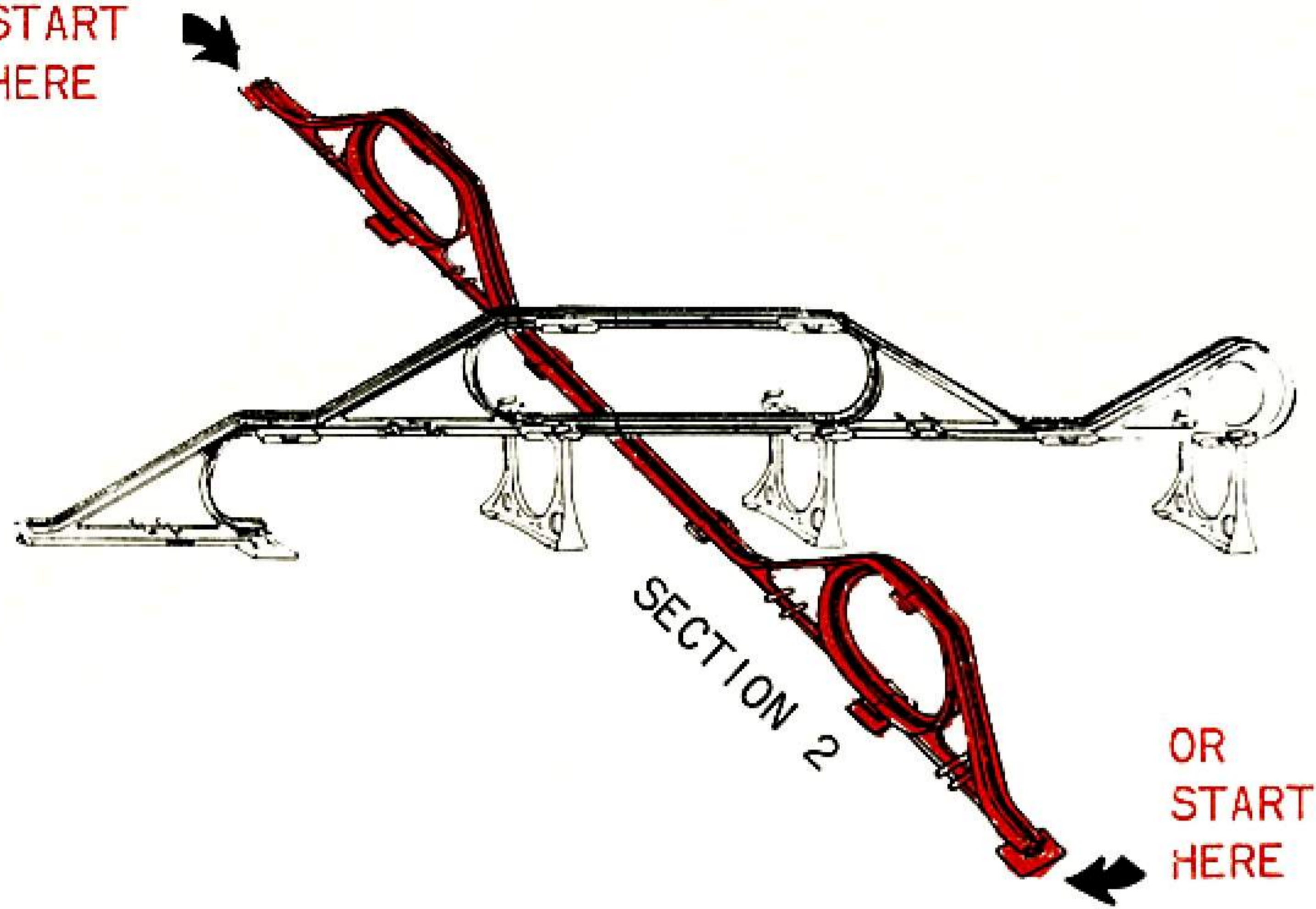
STEP 3 - START HERE
DING-A-LING MUST ALWAYS GLIDE UP AND DOWN STARTERS.

STEP 5
DING-A-LING MUST ALWAYS GLIDE AROUND RETURN.

IMPORTANT:
DING-A-LING MUST ALWAYS TRAVEL ONE WAY ONLY AROUND SECTION 1, AS SHOWN, OR BATTERY LIFE OF POWER PACK WILL BE SHORTENED.

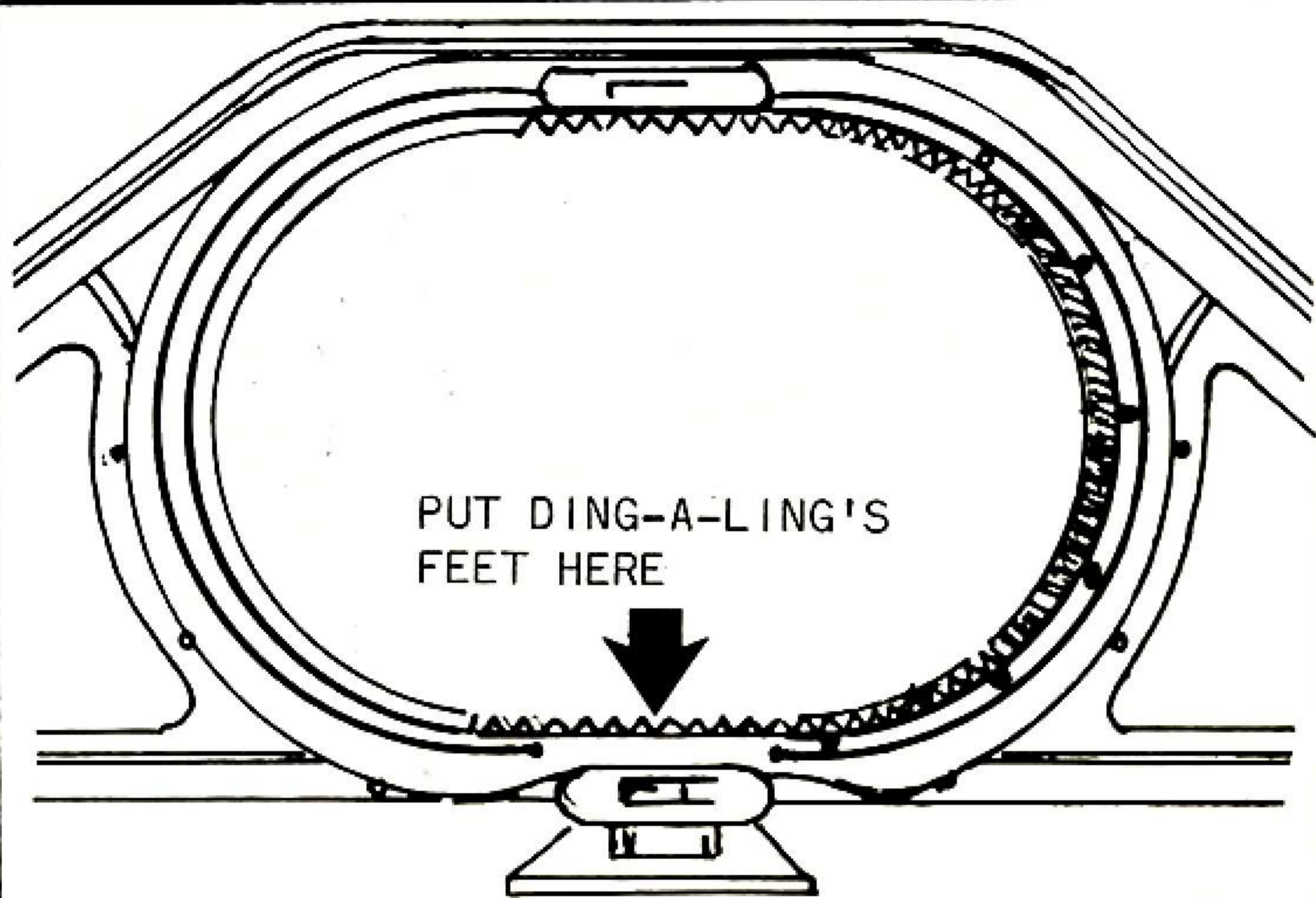
HOW TO PLAY ON SECTION 2

START
HERE

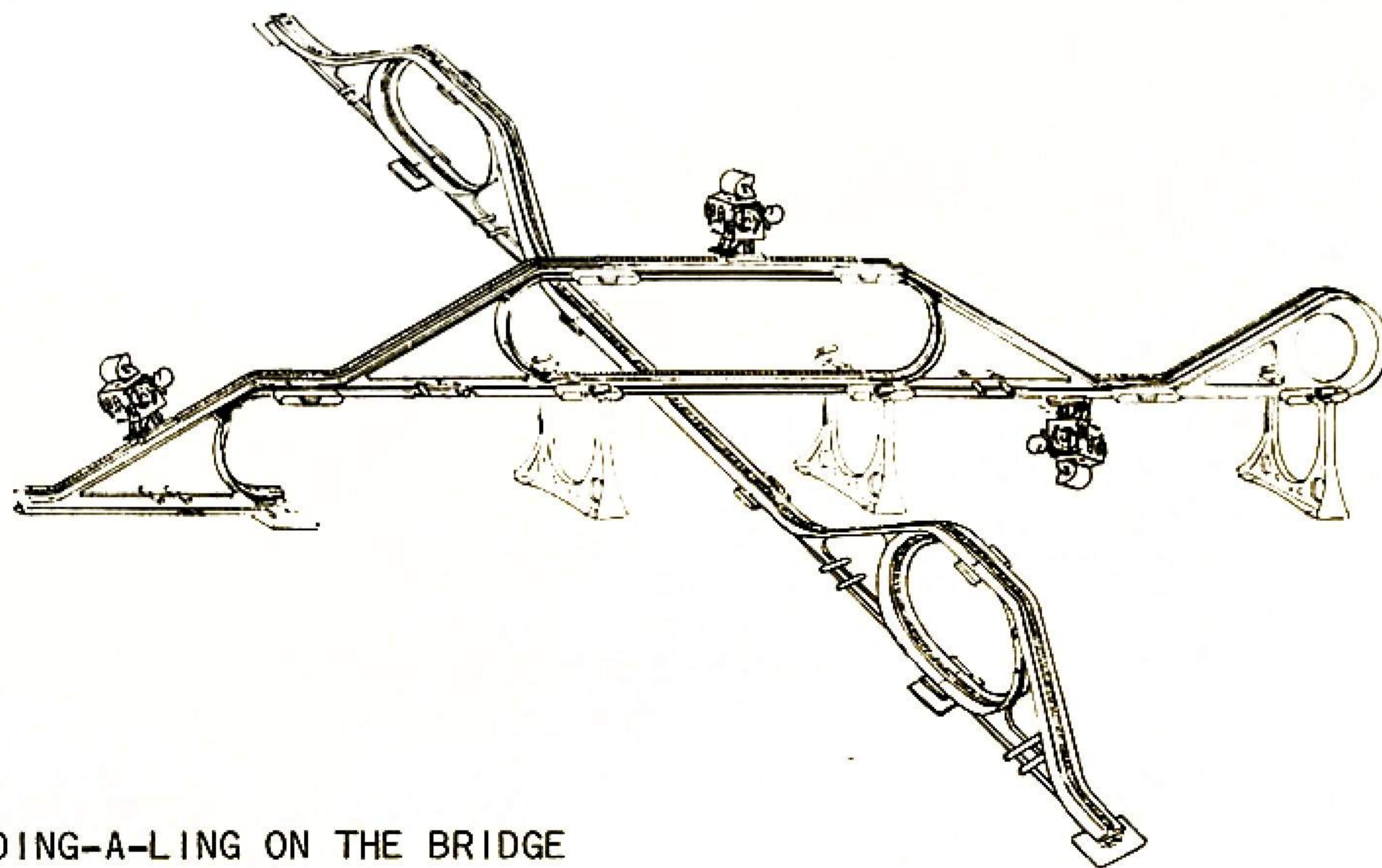


OR
START
HERE

YOU CAN START DING-A-LING AT EITHER END OF SECTION 2.

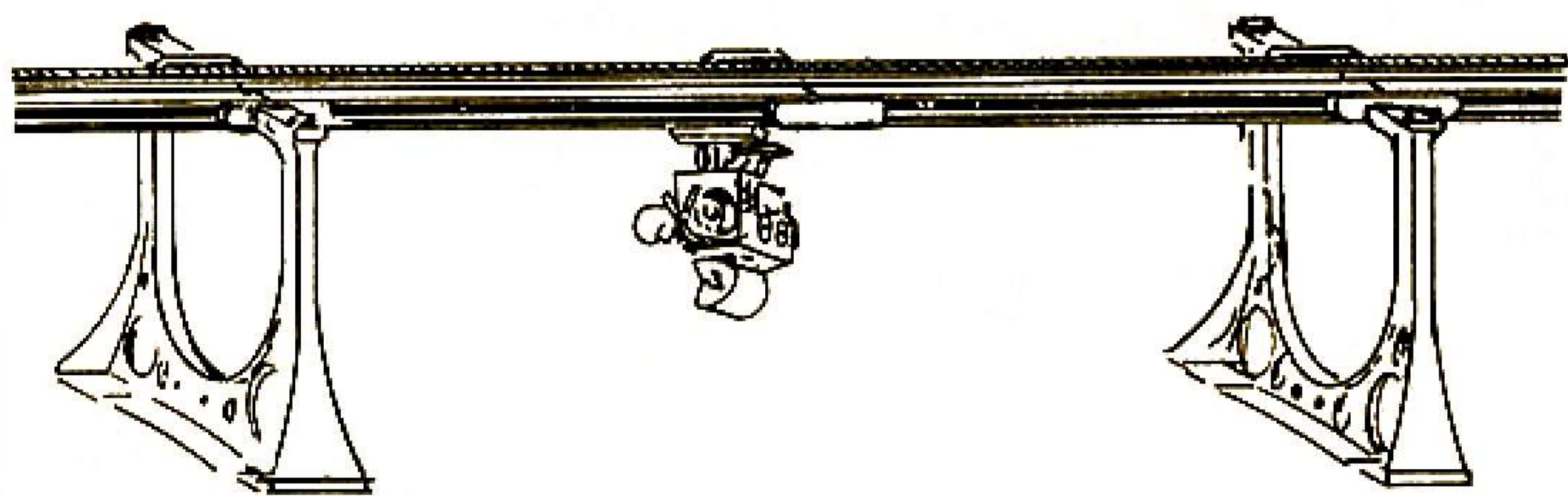


DING-A-LING WILL GLIDE AROUND THE OVALS OF SECTION 2. PUT DING-A-LING'S FEET ONTO PIECE WHERE LIP IS MISSING AS SHOWN. BE SURE TO TAKE DING-A-LING OFF AT THE SAME SPOT.

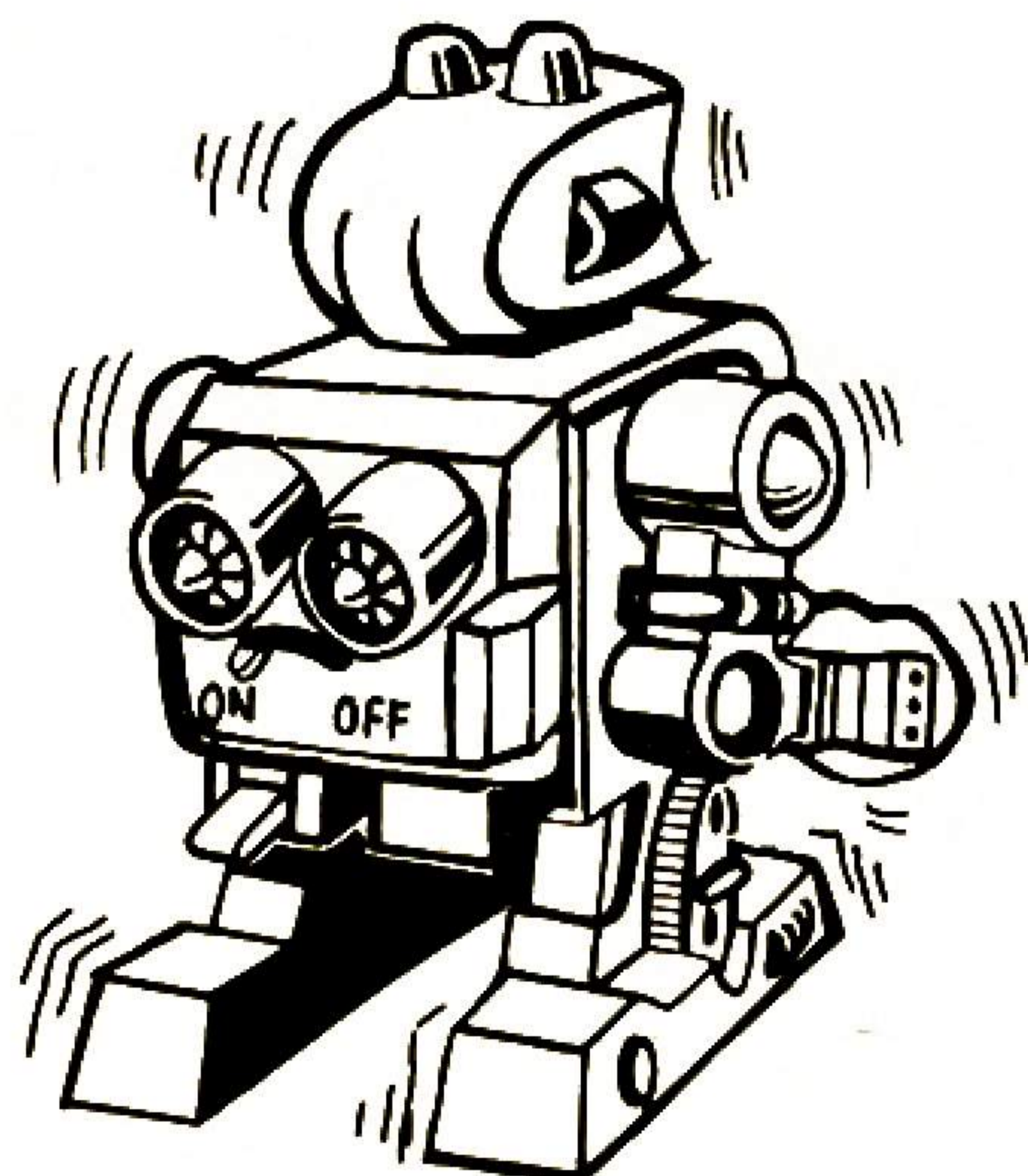


kids!

YOU CAN PUT MORE THAN ONE DING-A-LING ON THE BRIDGE SET (OTHER POWER PACKS SOLD SEPARATELY).



DING-A-LINGS CAN WALK OR GLIDE UPSIDE DOWN ON STRAIGHT SPACE SKYWAYS ONLY. DING-A-LINGS MUST ALWAYS GLIDE ONLY UP AND DOWN STARTERS OR AROUND RETURNS.



DING-A-LINGS WILL ALSO WALK ON A FLAT SMOOTH SURFACE. LEVER MUST BE IN BOTTOM POSITION.