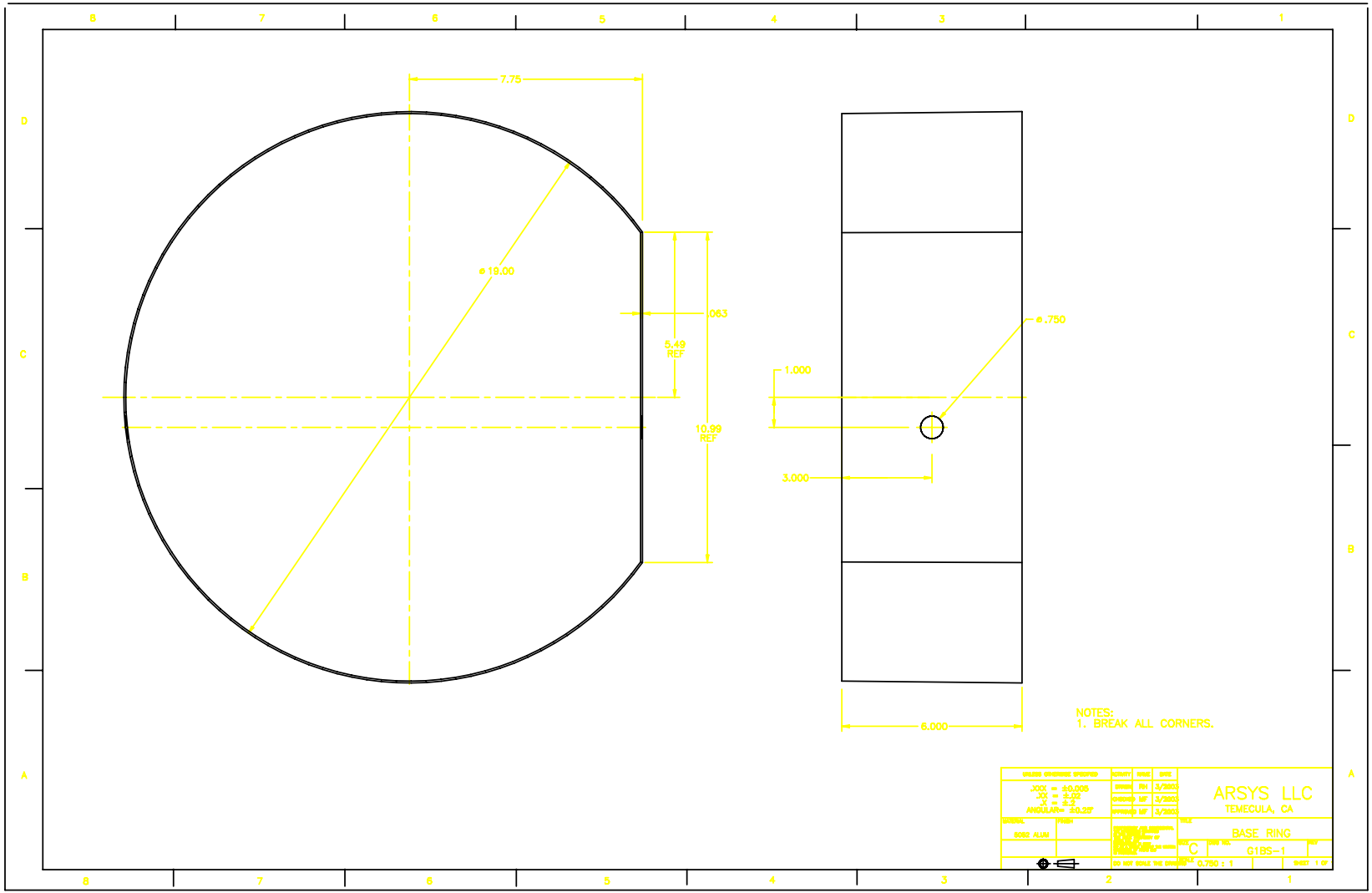


NOTES:
1. BREAK ALL SHARP CORNERS

UNLESS OTHERWISE SPECIFIED		ACTIVITY	NAME	DATE	<p style="text-align: center;">ARSYS LLC TEMECULA, CA</p>				
.XXX = ±0.005		DRAWN	RH	3/2003					
.XX = ±.02		CHECKED	MF	3/2003					
.X = ±.2		APPROVED	MF	3/2003					
ANGULAR = ±0.25°					<p style="text-align: center;">BEACON BACK PLATE</p>				
MATERIAL	FINISH	<small>PROPRIETARY AND CONFIDENTIAL THE INFORMATION CONTAINED HEREIN IS THE PROPERTY OF ARSYS, LLC AND REPRODUCTION IN ANY FORM OR BY ANY MEANS OR IN ANY MANNER WITHOUT THE WRITTEN PERMISSION OF ARSYS, LLC IS PROHIBITED.</small>					SIZE	DWG NO.	REV
5052 ALUM 1/16"							C	G1BN-1	
		DO NOT SCALE THE DRAWING			SCALE	1,000 : 1	SHEET	1 OF 1	



NOTES:
1. BREAK ALL CORNERS.

UNLESS OTHERWISE SPECIFIED		UNITS	FINISH	DATE
TOLERANCE	±0.000	INCHES	RA	3/28/20
FORM	±0.002	INCHES	RA	3/28/20
ANGLE	±0.2°	DEGREES	RA	3/28/20
ANGULARITY	±0.25°	DEGREES	RA	3/28/20

DESIGNER	PROJECT	TITLE
BOB ALLEN		BASE RING
DATE	DRAWN BY	SCALE
	GIBS-1	0.750 : 1
SHEET NO.		SHEET 1 OF
C		1

ARSYS LLC
TEMECULA, CA

BASE RING

GIBS-1

0.750 : 1

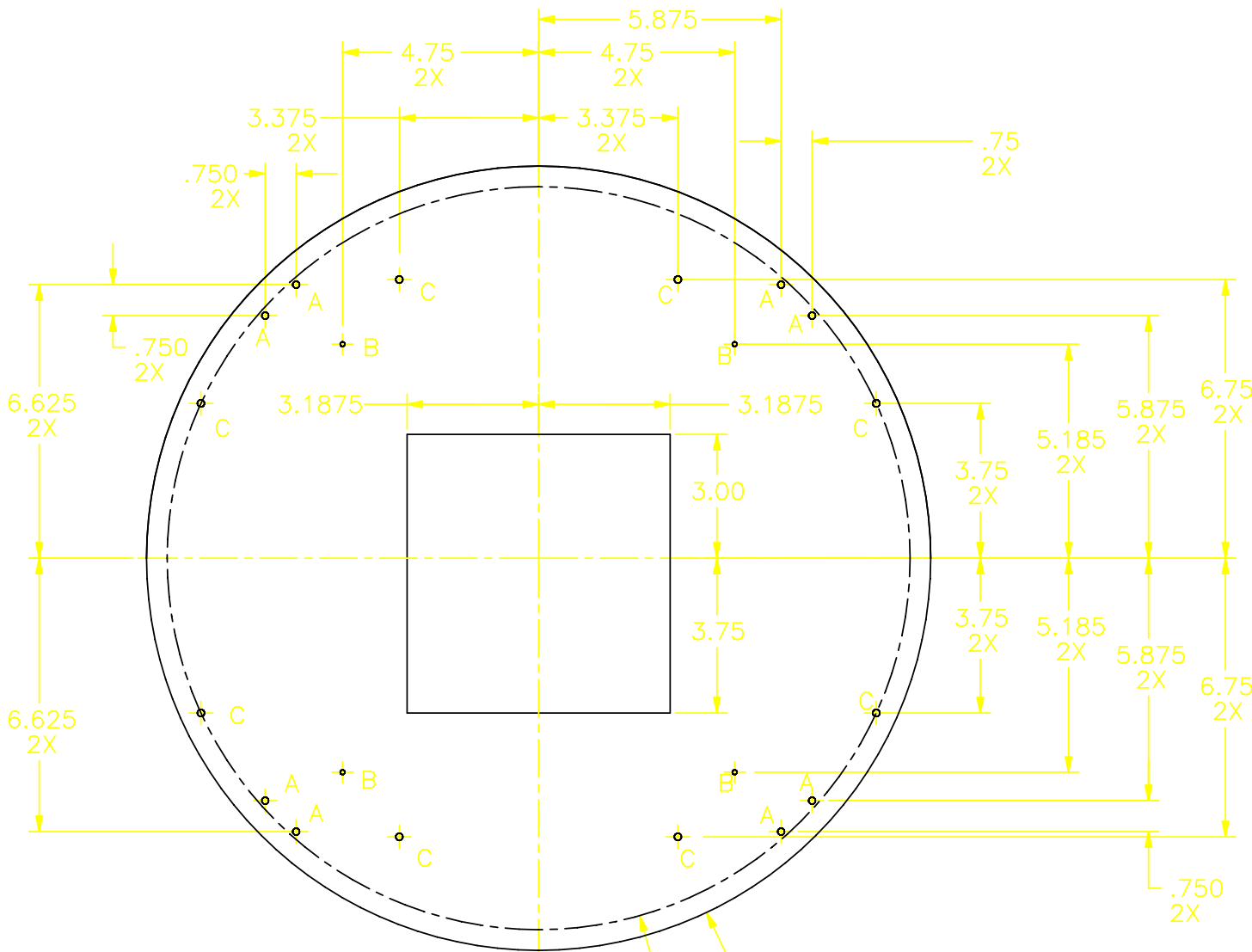
SHEET 1 OF

4

3

2

1



NOTES:

1. BREAK ALL SHARP CORNERS

∅ 19.00

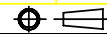
∅ 18.00

DRILL SCHEDULE		
HOLE	NUMBER OF HOLES	DRILL SIZE
A	8	#19
B	4	#33
C	10	11/64

UNLESS OTHERWISE SPECIFIED		ACTIVITY	NAME	DATE
.XXX	= ±0.005	DRAWN	RH	3/2003
.XX	= ±.02	CHECKED	MF	3/2003
.X	= ±.2	APPROVED	MF	3/2003
ANGULAR = ±0.25°				

ARSYS LLC
TEMECULA, CA

MATERIAL	FINISH	PROPRIETARY AND CONFIDENTIAL THIS DRAWING IS THE PROPERTY OF ARSYS LLC AND REPRODUCTION IN ANY FORM OR BY ANY MEANS WITHOUT THE WRITTEN CONSENT OF ARSYS LLC IS PROHIBITED.		TITLE	
6061 ALUM				BASE PLATE	
		SIZE	DWG NO.	REV	
		C	G1BS-10		
		SCALE 0.500 : 1		SHEET 1 OF 1	



4

3

2

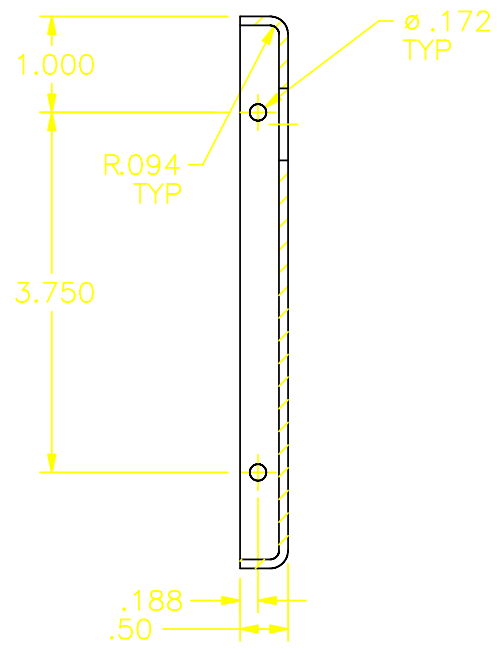
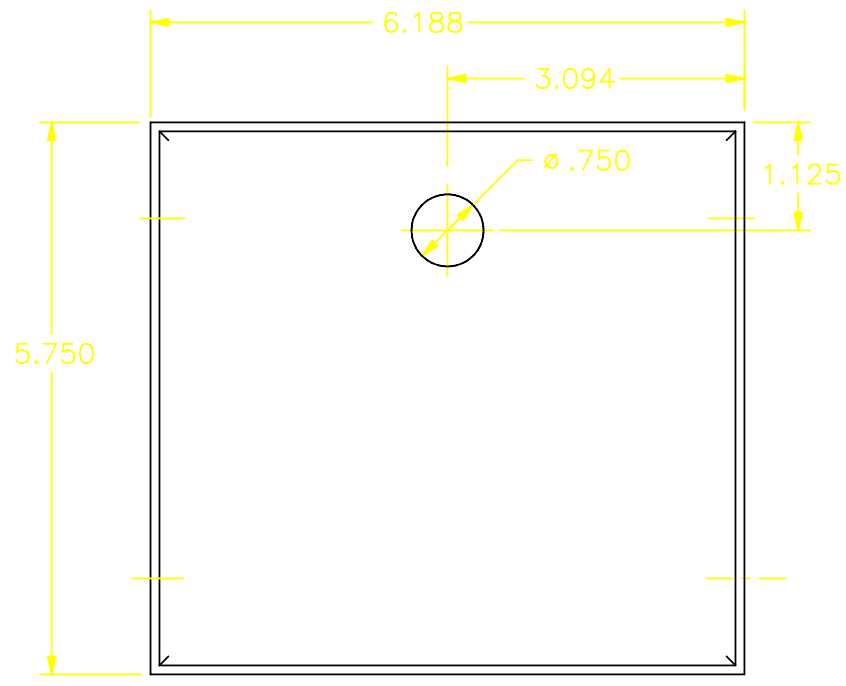
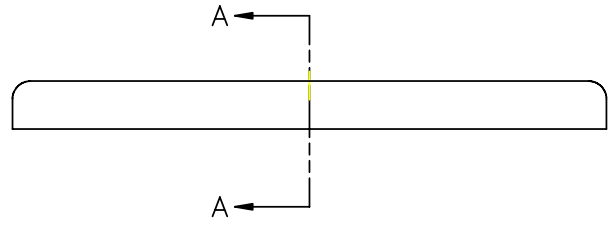
1

4

3

2

1



NOTES:
 1. BREAK ALL SHARP CORNERS

SECTION A-A

UNLESS OTHERWISE SPECIFIED		ACTIVITY	NAME	DATE	ARSYS LLC TEMECULA, CA		
.XXX = ±0.005		DRAWN	RH	3/2003			
.XX = ±.02		CHECKED	MF	3/2003			
.X = ±.2		APPROVED	MF	3/2003			
ANGULAR = ±0.25°					TITLE FORWARD & REAR INNER STRUCTURE		
MATERIAL	FINISH	<small>PROPRIETARY AND CONFIDENTIAL THE INFORMATION CONTAINED HEREIN IS THE PROPERTY OF ARSYS LLC. ANY REPRODUCTION IN WHOLE OR IN PART WITHOUT THE WRITTEN PERMISSION OF ARSYS LLC IS PROHIBITED.</small>			SIZE	DWG NO.	REV
3/32" 5052 ALUM					C	G1BS-2	
DO NOT SCALE THE DRAWING					SCALE	SHEET 1 OF 1	
					1,000 : 1		

D

D

C

C

B

B

A

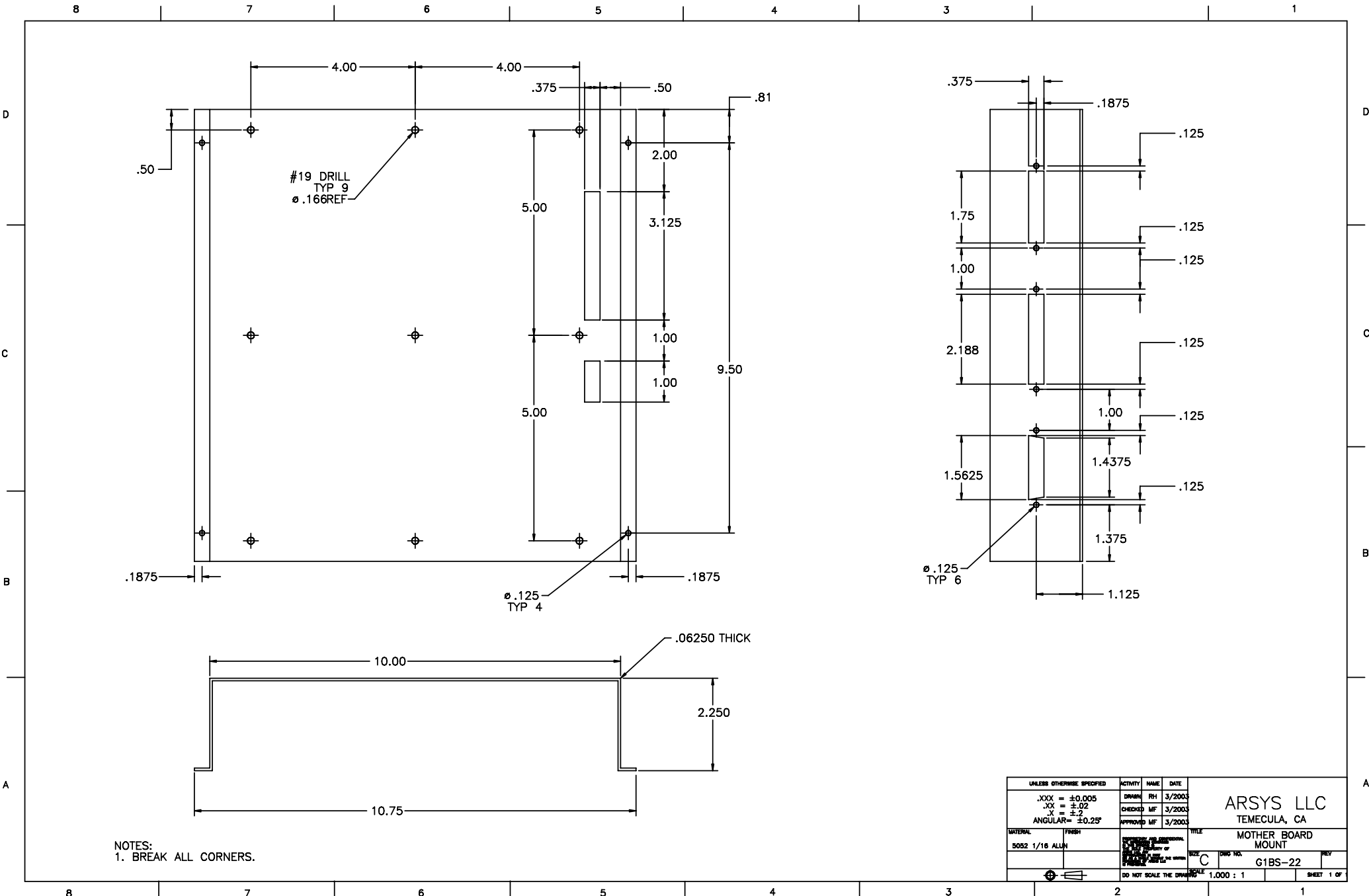
A

4

3

2

1



NOTES:
1. BREAK ALL CORNERS.

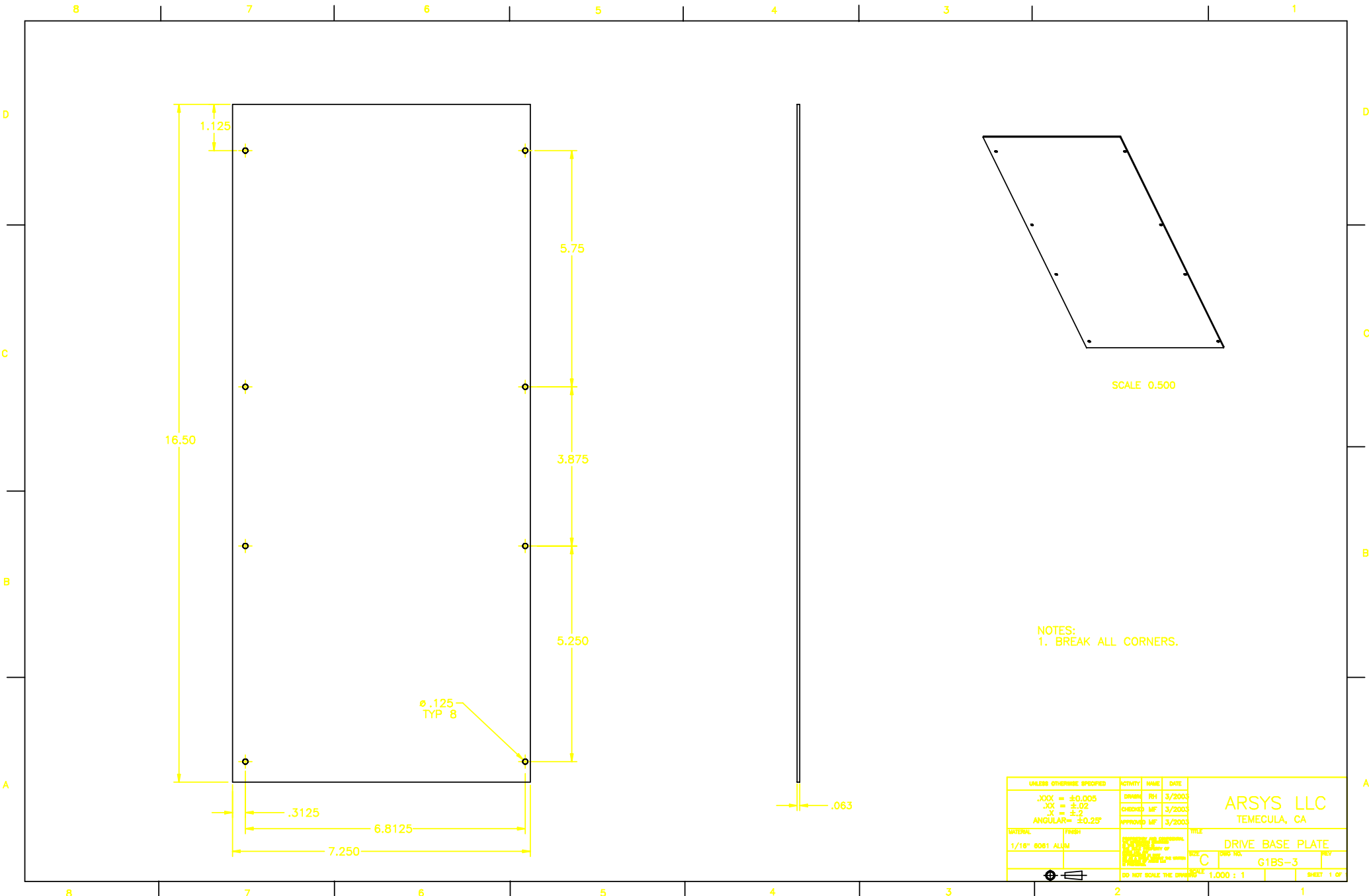
UNLESS OTHERWISE SPECIFIED		ACTIVITY	NAME	DATE
.XXX	= ±0.005	DRAWN	RH	3/2003
.XX	= ±.02	CHECKED	MF	3/2003
.X	= ±.2	APPROVED	MF	3/2003
ANGULAR	= ±0.25°			

MATERIAL	FINISH	TITLE
5082 1/18 ALUM		MOTHER BOARD MOUNT
SIZE	DWG NO.	REV
C	G1BS-22	

ARSYS LLC
TEMECULA, CA

DO NOT SCALE THE DRAWING

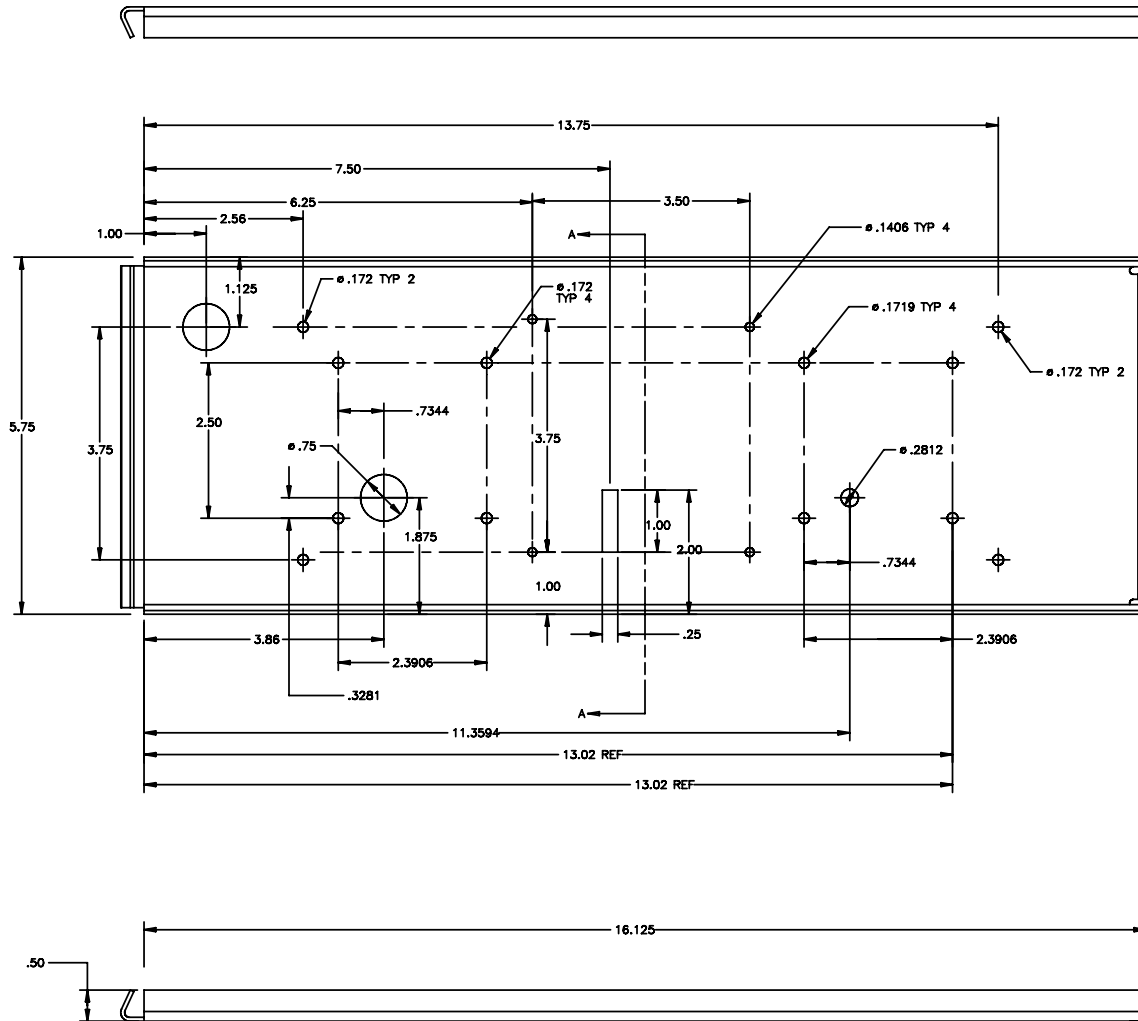
SCALE: 1,000 : 1 SHEET 1 OF 1



NOTES:
1. BREAK ALL CORNERS.

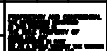
UNLESS OTHERWISE SPECIFIED		ACTIVITY	NAME	DATE
.XXX = ±0.005		DRAWN	RH	3/2003
.XX = ±.02		CHECKED	MF	3/2003
.X = ±.2		APPROVED	MF	3/2003
ANGULAR = ±0.25°				
MATERIAL	FINISH	DESIGNED AND DEVELOPED BY		TITLE
1/16" 8081 ALUM		C. J. ... or ...		DRIVE BASE PLATE
		ISS	DRG NO.	REV
		C	G1BS-3	
DO NOT SCALE THE DIMENSIONS		SCALE	1,000 : 1	SHEET 1 OF 1

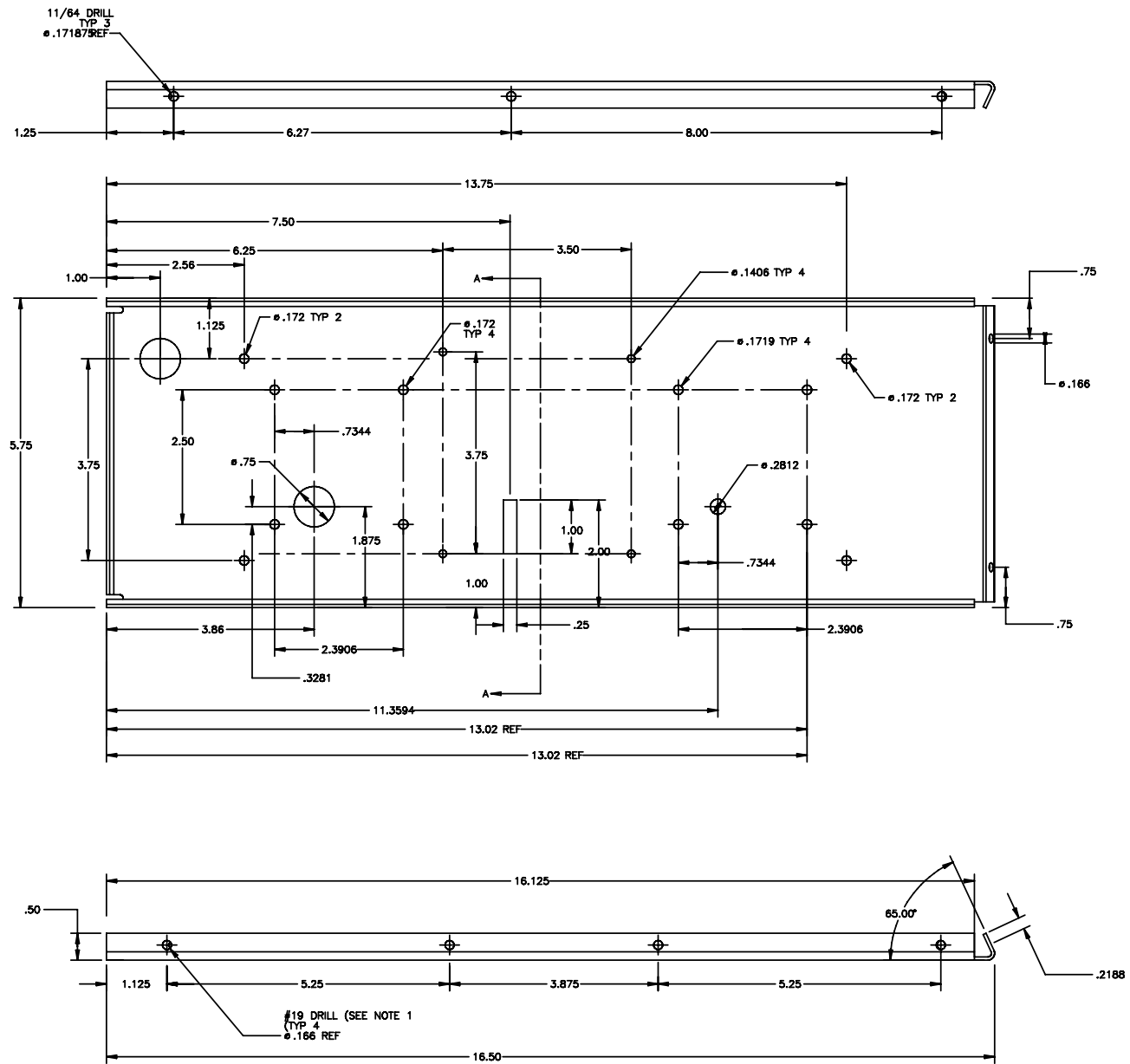




SECTION A-A

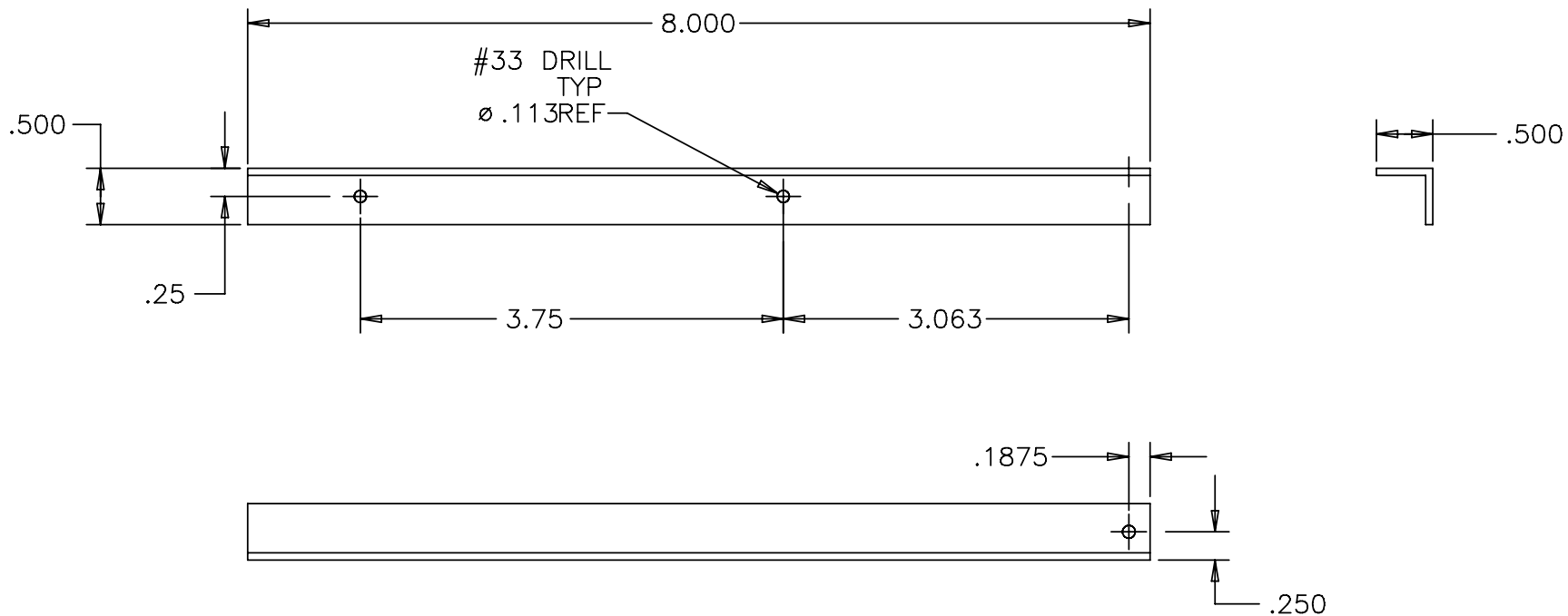
NOTES:
1. BREAK ALL CORNERS.

UNLESS OTHERWISE SPECIFIED		ACTIVITY	NAME	DATE
.XXX	= ±0.005	DRAWN	RH	3/2003
.XX	= ±.02	CHECKED	MF	3/2003
.X	= ±.2	APPROVED	MF	3/2003
ANGULAR	= ±0.25°			
5052 ALUM				
ARSYS LLC				
LEFT INNER STRUCTURE				
C G1BS-3				
DO NOT SCALE THE DRAWING 1.000 : 1				



UNLESS OTHERWISE SPECIFIED		ACTIVITY	NAME	DATE
.XXX = ±0.005		DRAWN	RH	3/2003
.XX = ±.02		CHECKED	MF	3/2003
.X = ±.2		APPROVED	MF	3/2003
ANGULAR = ±0.25°				

5052 ALUM		ARSYS LLC	
		LEFT INNER STRUCTURE	
		C	G1BS-3
DO NOT SCALE THE DRAWING		1,000 : 1	



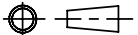
NOTES:
1. BREAK ALL CORNERS.

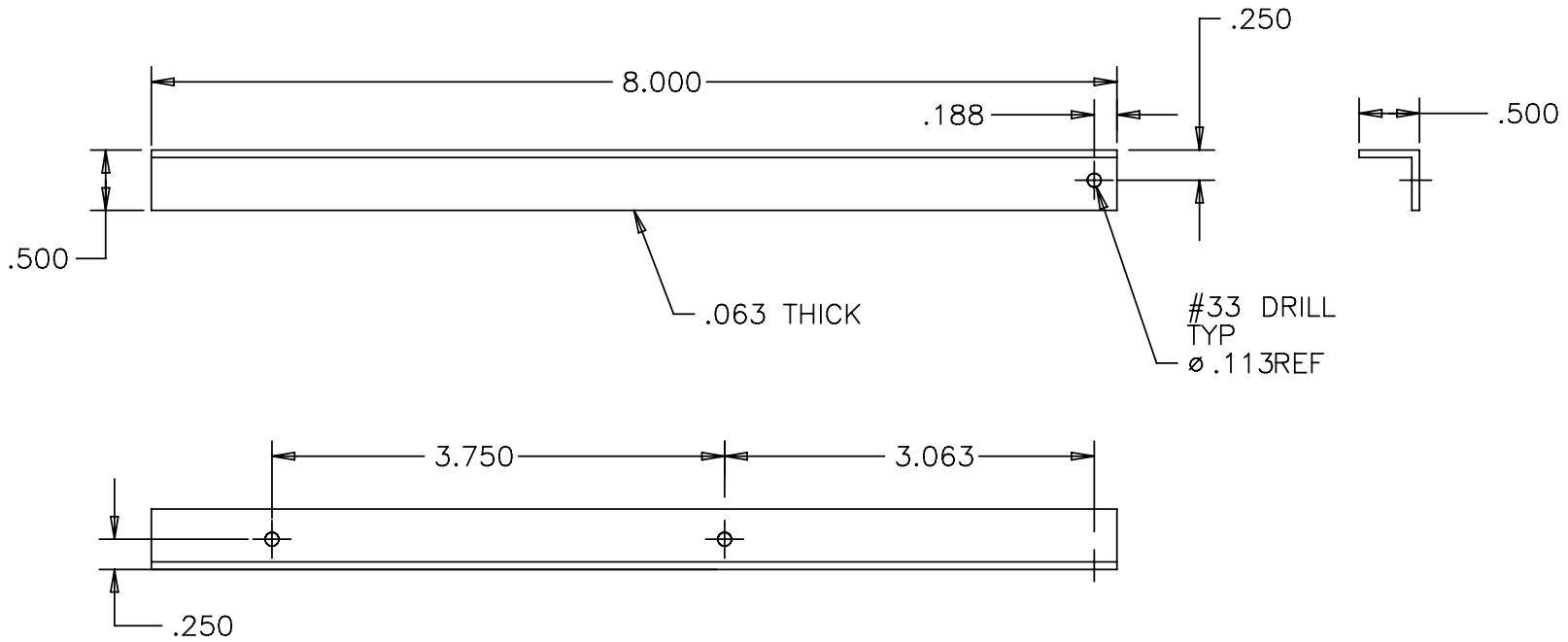
UNLESS OTHERWISE SPECIFIED		ACTIVITY	NAME	DATE	<p style="text-align: center;">ARSYS LLC TEMECULA, CA</p>			
.XXX = ± 0.005 .XX = $\pm .02$.X = $\pm .2$ ANGULAR = $\pm 0.25^\circ$		DRAWN	RH	3/2003				
		CHECKED	MF	3/2003				
		APPROVED	MF	3/2003				
MATERIAL	FINISH	PROPRIETARY AND CONFIDENTIAL THE INFORMATION CONTAINED IN THIS DRAWING IS THE SOLE PROPERTY OF ARSYS LLC. ANY REPRODUCTION IN PART OR AS A WHOLE WITHOUT THE WRITTEN PERMISSION OF ARSYS LLC IS PROHIBITED.			TITLE			
1/2X1/2X1/16	ALUM ANGLE				SIZE	B		DWG NO.
		DO NOT SCALE THE DRAWING			SCALE	1.000 : 1		SHEET 1 OF 1

ARSYS LLC
TEMECULA, CA

TITLE
BATTERY CAGE
UPRIGHTS

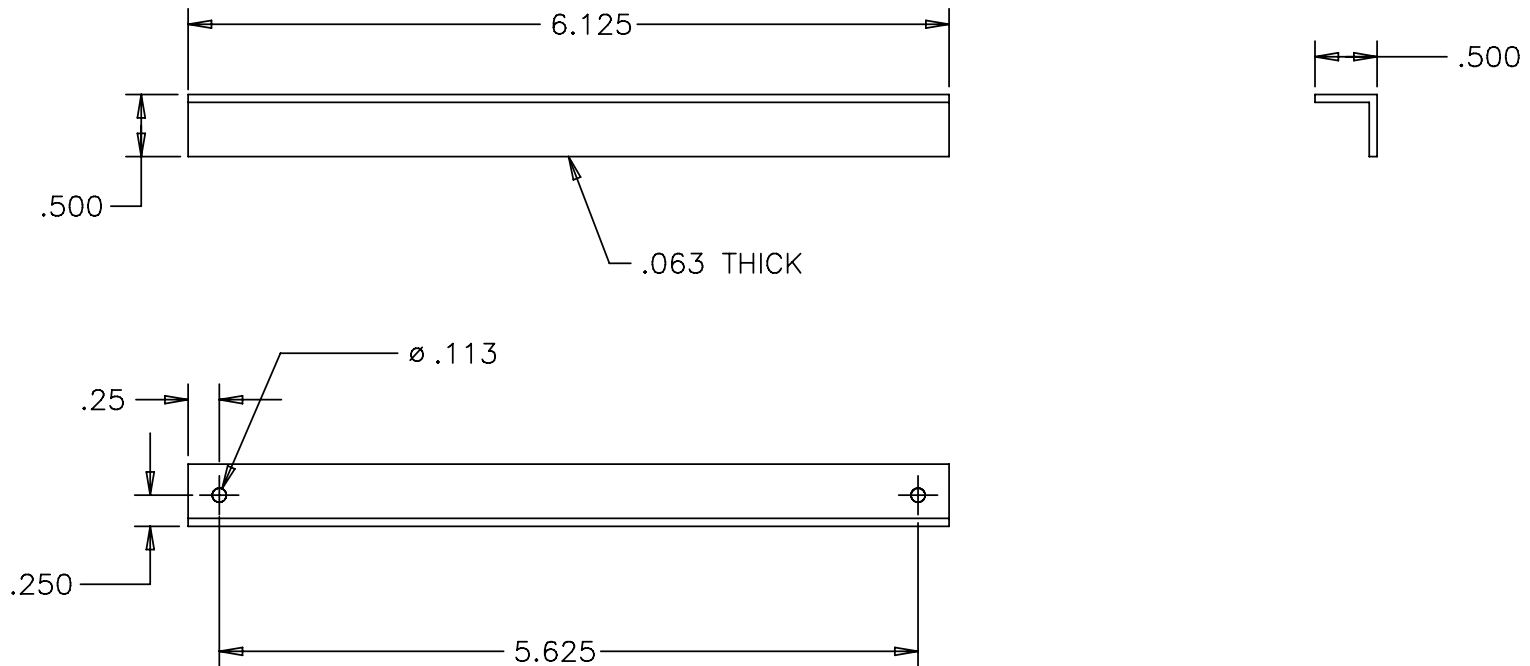
SIZE B DWG NO. G1BS-6L REV





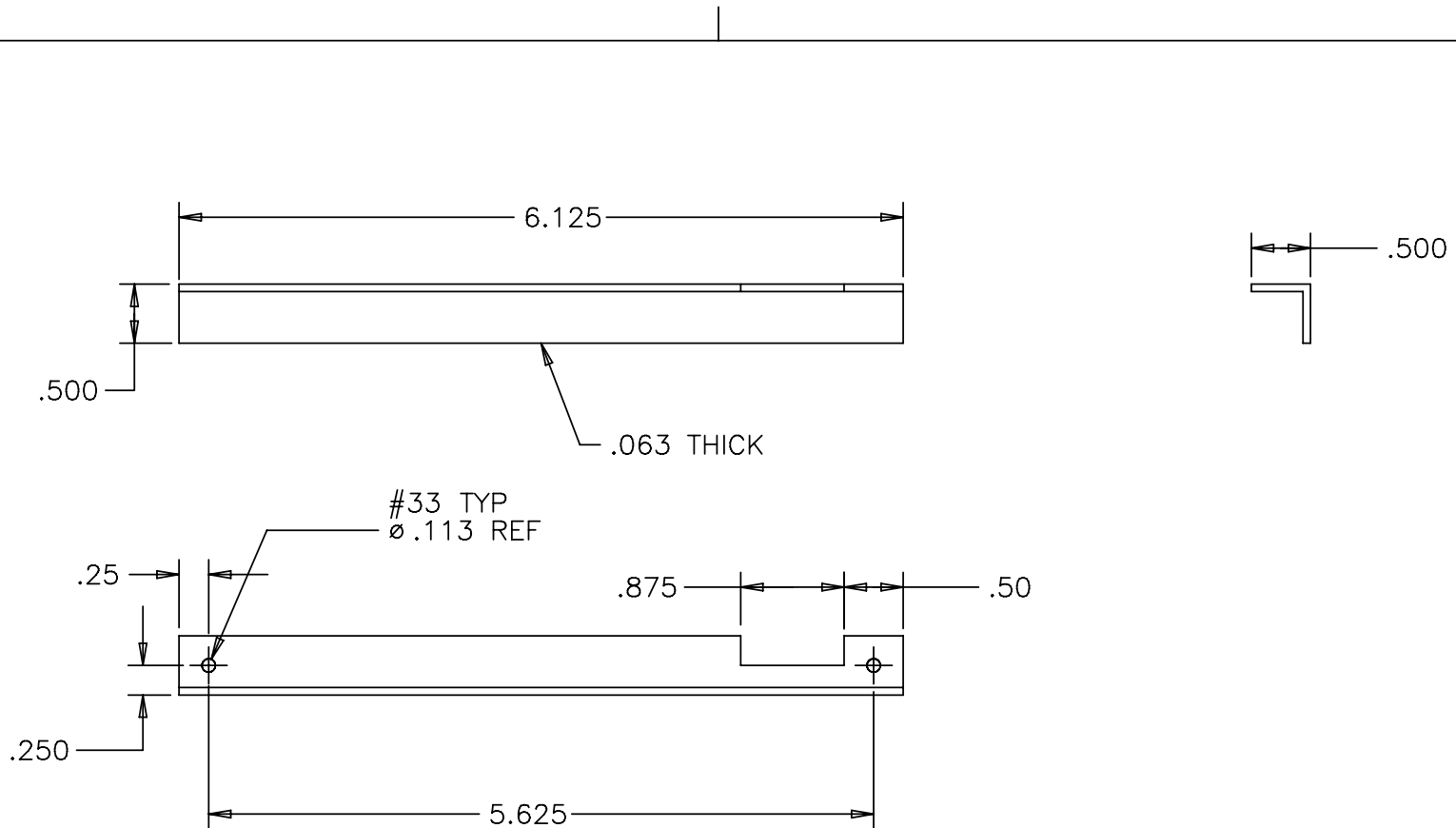
NOTES:
1. BREAK ALL CORNERS.

UNLESS OTHERWISE SPECIFIED		ACTIVITY	NAME	DATE	<p style="text-align: center;">ARSYS LLC TEMECULA, CA</p>			
.XXX = ± 0.005 .XX = $\pm .02$.X = $\pm .2$ ANGULAR = $\pm 0.25^\circ$		DRAWN	RH	3/2003				
		CHECKED	MF	3/2003				
		APPROVED	MF	3/2003				
MATERIAL	FINISH	PROPRIETARY AND CONFIDENTIAL THE INFORMATION CONTAINED IN THIS DRAWING IS THE SOLE PROPERTY OF ARSYS LLC. ANY REPRODUCTION IN PART OR AS A WHOLE WITHOUT THE WRITTEN PERMISSION OF ARSYS LLC IS PROHIBITED.			TITLE	BATTERY CAGE UPRIGHTS		
1/2X1/2X1/16	ALUM ANGLE				SIZE	B	DWG NO.	G1BS-6R
		DO NOT SCALE THE DRAWING			SCALE	1.000 : 1	SHEET 1 OF 1	



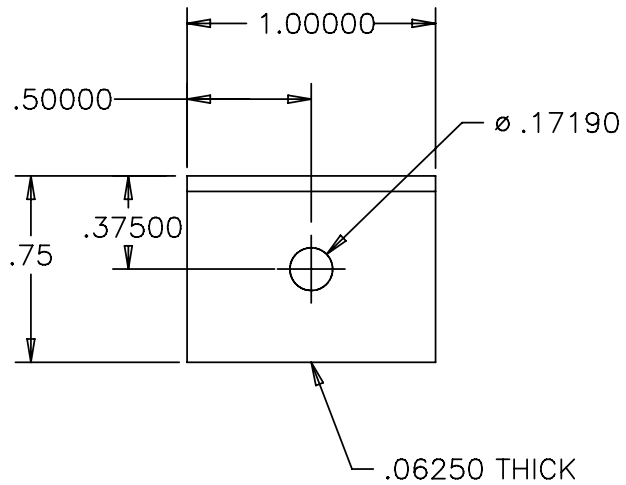
NOTES:
1. BREAK ALL CORNERS.

UNLESS OTHERWISE SPECIFIED		ACTIVITY	NAME	DATE	<p>ARSYS LLC TEMECULA, CA</p>	
.XXX = ±0.005		DRAWN	RH	3/2003		
.XX = ±.02		CHECKED	MF	3/2003		
.X = ±.2		APPROVED	MF	3/2003		
ANGULAR = ±0.25°					TITLE	
MATERIAL	FINISH	<p>PROPRIETARY AND CONFIDENTIAL THE INFORMATION CONTAINED IN THIS DRAWING IS THE SOLE PROPERTY OF ARSYS LLC. ANY REPRODUCTION IN PART OR AS A WHOLE WITHOUT THE WRITTEN PERMISSION OF ARSYS LLC IS PROHIBITED.</p>			BATTERY CAGE CROSS PIECE	
1/2X1/2X1/16	ALUM ANGLE				SIZE	DWG NO.
		DO NOT SCALE THE DRAWING			SCALE	1.000 : 1
					SHEET 1 OF 1	



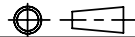
NOTES:
1. BREAK ALL CORNERS.

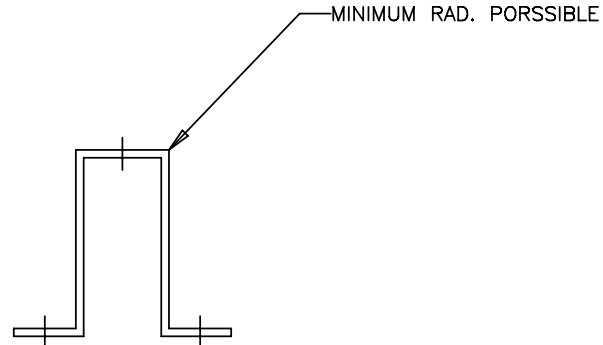
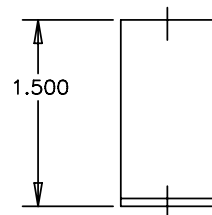
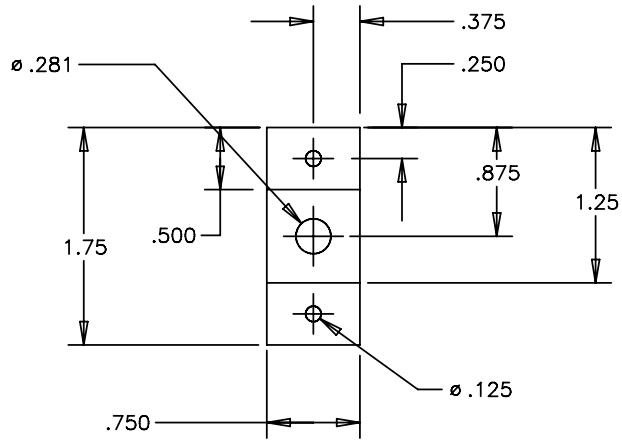
UNLESS OTHERWISE SPECIFIED		ACTIVITY	NAME	DATE	<p style="text-align: center;">ARSYS LLC TEMECULA, CA</p>	
.XXX = ± 0.005 .XX = ± 0.02 .X = $\pm .2$ ANGULAR = $\pm 0.25^\circ$		DRAWN	RH	3/2003		
		CHECKED	MF	3/2003		
		APPROVED	MF	3/2003		
MATERIAL	FINISH	PROPRIETARY AND CONFIDENTIAL THE INFORMATION CONTAINED IN THIS DRAWING IS THE SOLE PROPERTY OF ARSYS LLC. ANY REPRODUCTION IN PART OR AS A WHOLE WITHOUT THE WRITTEN PERMISSION OF ARSYS LLC IS PROHIBITED.			TITLE	REV
1/2X1/2X1/16 ALUM ANGLE					BATTERY CAGE CROSS PIECE	
		SIZE	DWG NO.		REV	
		B	G1BS-7N			
		SCALE	1.000 : 1		SHEET 1 OF 1	



NOTES:
1. BREAK ALL CORNERS.

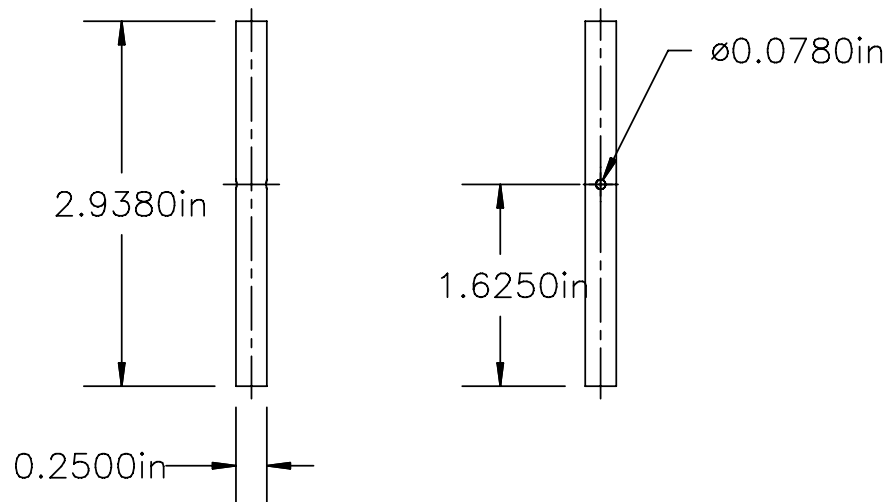
UNLESS OTHERWISE SPECIFIED		ACTIVITY	NAME	DATE	<p style="text-align: center;">ARSYS LLC TEMECULA, CA</p>	
<p>.XXX = ± 0.005 .XX = $\pm .02$.X = $\pm .2$ ANGULAR = $\pm 0.25^\circ$</p>		DRAWN	RH	3/2003		
		CHECKED	MF	3/2003		
		APPROVED	MF	3/2003		
MATERIAL	FINISH	<small>PROPRIETARY AND CONFIDENTIAL THE INFORMATION CONTAINED IN THIS DRAWING IS THE SOLE PROPERTY OF ARSYS LLC. ANY REPRODUCTION IN PART OR AS A WHOLE WITHOUT THE WRITTEN PERMISSION OF ARSYS LLC IS PROHIBITED.</small>			TITLE	
ALUM 1/16"					SHOCK MOUNT CLIP	
		SIZE	DWG NO.		REV	
		B	G1BS-8			
		SCALE		SHEET 1 OF 1		
		2.000 : 1				





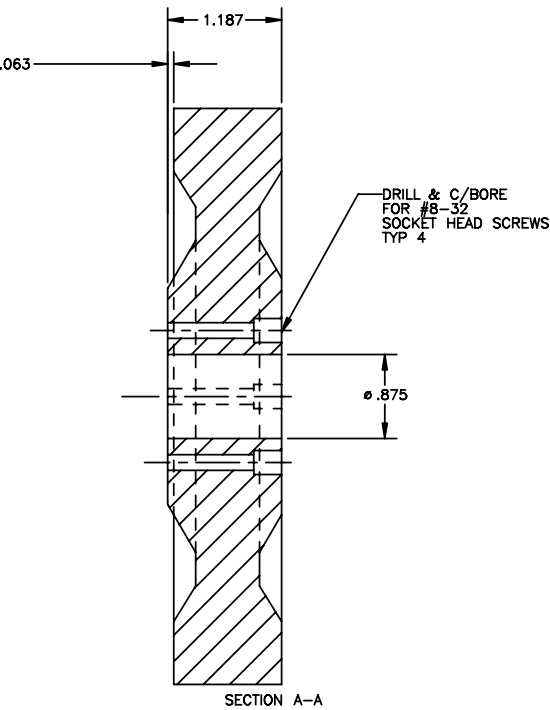
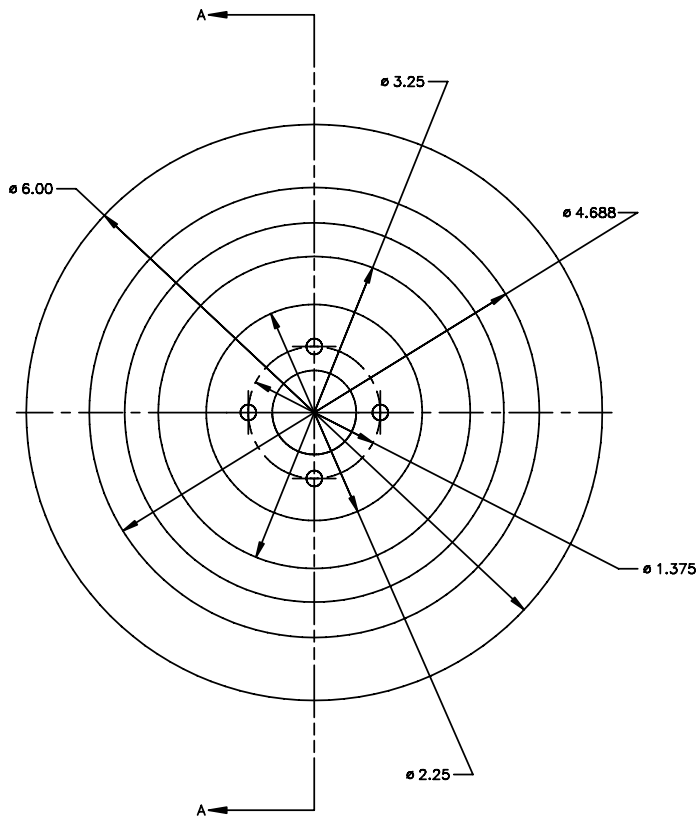
NOTES:
1. BREAK ALL CORNERS.

UNLESS OTHERWISE SPECIFIED		ACTIVITY	NAME	DATE	<p style="text-align: center;">ARSYS LLC TEMECULA, CA</p> <p style="text-align: center;">TITLE CHARGER SPRING MOUNT</p>		
.XXX = ± 0.005		DRAWN	RH	3/2003			
.XX = ± 0.02		CHECKED	MF	3/2003			
.X = $\pm .2$		APPROVED	MF	3/2003			
ANGULAR = $\pm 0.25^\circ$							
MATERIAL	FINISH	<small>PROPRIETARY AND CONFIDENTIAL THE INFORMATION CONTAINED IN THIS DRAWING IS THE SOLE PROPERTY OF ARSYS LLC. ANY REPRODUCTION IN PART OR AS A WHOLE WITHOUT THE WRITTEN PERMISSION OF ARSYS LLC IS PROHIBITED.</small>			TITLE		REV
6061 ALUM 1/16"					SIZE	DWG NO.	G1CR-11
		DO NOT SCALE THE DRAWING			SCALE	1.000 : 1	SHEET 1 OF 1



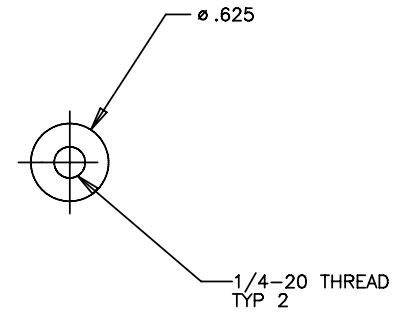
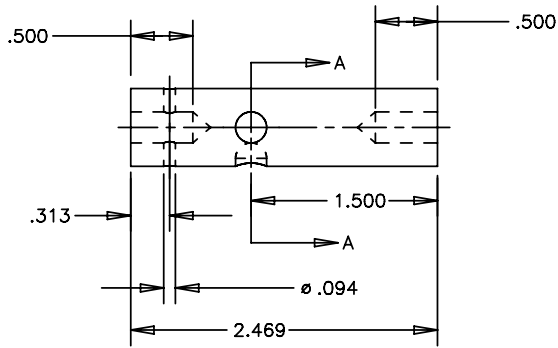
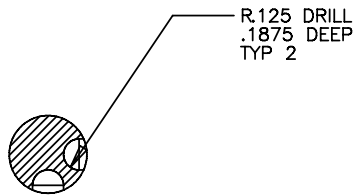
NOTES:
1. BREAK ALL CORNERS.

UNLESS OTHERWISE SPECIFIED		ACTIVITY	NAME	DATE	<p style="text-align: center;">ARSYS LLC TEMECULA, CA</p>		
.XXX = ± 0.005 .XX = ± 0.02 .X = $\pm .2$ ANGULAR = $\pm 0.25^\circ$		DRAWN	RH	3/2003			
		CHECKED	MF	3/2003			
		APPROVED	MF	3/2003			
MATERIAL	FINISH	<small>PROPRIETARY AND CONFIDENTIAL THE INFORMATION CONTAINED IN THIS DRAWING IS THE SOLE PROPERTY OF ARSYS LLC. ANY REPRODUCTION IN PART OR AS A WHOLE WITHOUT THE WRITTEN PERMISSION OF ARSYS LLC IS PROHIBITED.</small>			TITLE		
1/4" STEEL ROD					CHARGER BASE LEG		
		SIZE	DWG NO.	REV			
		B	G1CR-7				
		DO NOT SCALE THE DRAWING		SCALE	1.000: 1	SHEET 1 OF 1	



NOTES:
1. BREAK ALL SHARP CORNERS

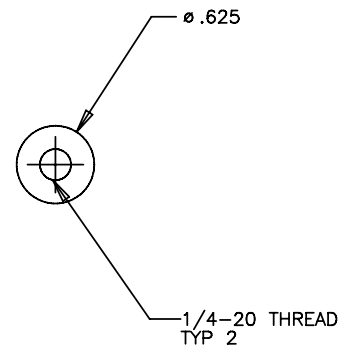
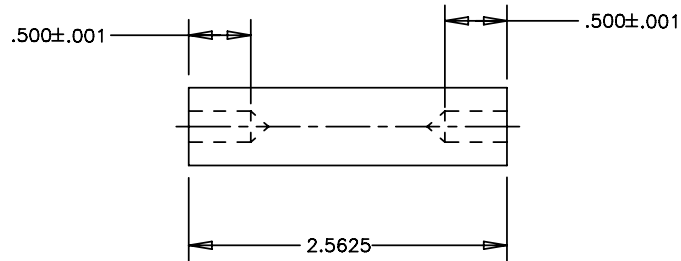
UNLESS OTHERWISE SPECIFIED		ACTIVITY	NAME	DATE	<p style="text-align: center;">ARSYS LLC TEMECULA, CA</p>		
.XXX = ±0.005		DRAWN	RH	3/2003			
.XX = ±.02		CHECKED	MF	3/2003			
.X = ±.2		APPROVED	MF	3/2003			
ANGULAR = ±0.25°					TITLE		
MATERIAL	FINISH	<small>PROPRIETARY AND CONFIDENTIAL THE INFORMATION CONTAINED HEREIN IS THE PROPERTY OF ARSYS LLC AND REPRODUCTION IN ANY FORM OR BY ANY MEANS WITHOUT THE WRITTEN PERMISSION OF ARSYS LLC IS PROHIBITED.</small>			IDLER WHEEL		
HARD NEOPREME					SIZE	DWG NO.	REV
		DO NOT SCALE THE DRAWING			SCALE	1,000 : 1	SHEET 1 OF 1



SECTION A-A

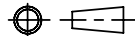
NOTES:
1. BREAK ALL CORNERS.

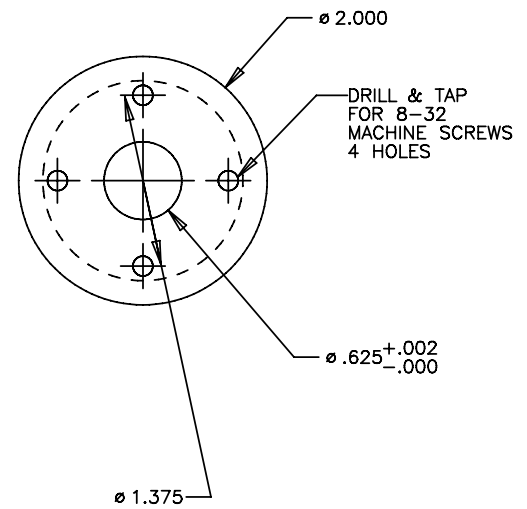
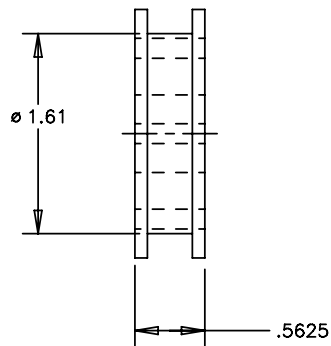
UNLESS OTHERWISE SPECIFIED		ACTIVITY	NAME	DATE	<h1>ARSYS LLC</h1> <p>TEMECULA, CA</p>		
.XXX = ± 0.005 .XX = $\pm .02$.X = $\pm .2$ ANGULAR = $\pm 0.25^\circ$		DRAWN	RH	3/2003			
		CHECKED	MF	3/2003			
		APPROVED	MF	3/2003			
MATERIAL	FINISH	PROPRIETARY AND CONFIDENTIAL THE INFORMATION CONTAINED IN THIS DRAWING IS THE SOLE PROPERTY OF ARSYS LLC. ANY REPRODUCTION IN PART OR AS A WHOLE WITHOUT THE WRITTEN PERMISSION OF ARSYS LLC IS PROHIBITED.			TITLE		REV
6061 ALUM					DRIVE SHAFT		SIZE
		DO NOT SCALE THE DRAWING			SCALE	1.000 : 1	SHEET 1 OF 1



NOTES:
1. BREAK ALL CORNERS.

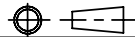
UNLESS OTHERWISE SPECIFIED		ACTIVITY	NAME	DATE	<p style="text-align: center;">ARSYS LLC TEMECULA, CA</p>				
.XXX = ±0.005 .XX = ±.02 .X = ±.2 ANGULAR = ±0.25°		DRAWN	RH	3/2003					
		CHECKED	MF	3/2003					
		APPROVED	MF	3/2003					
MATERIAL	FINISH	PROPRIETARY AND CONFIDENTIAL THE INFORMATION CONTAINED IN THIS DRAWING IS THE SOLE PROPERTY OF ARSYS LLC. ANY REPRODUCTION IN PART OR AS A WHOLE WITHOUT THE WRITTEN PERMISSION OF ARSYS LLC IS PROHIBITED.			TITLE				
6061 ALUM					IDLER SHAFT		SIZE	DWG NO.	REV
					B	G1DV-12			
		DO NOT SCALE THE DRAWING		SCALE	1.000 : 1		SHEET 1 OF 1		

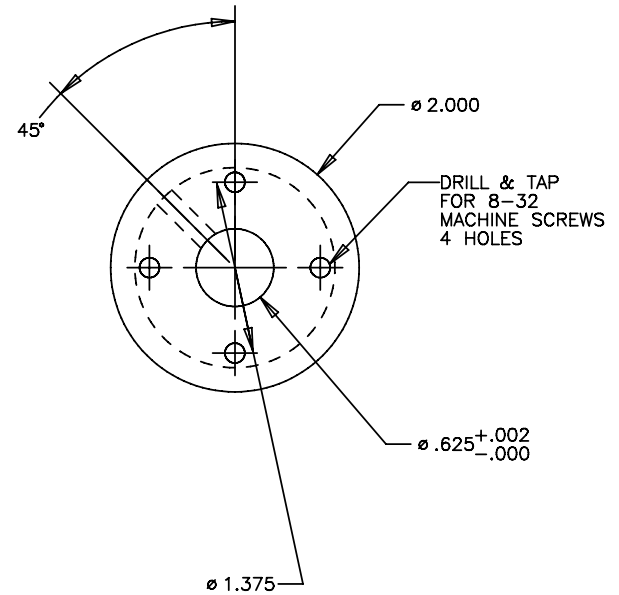
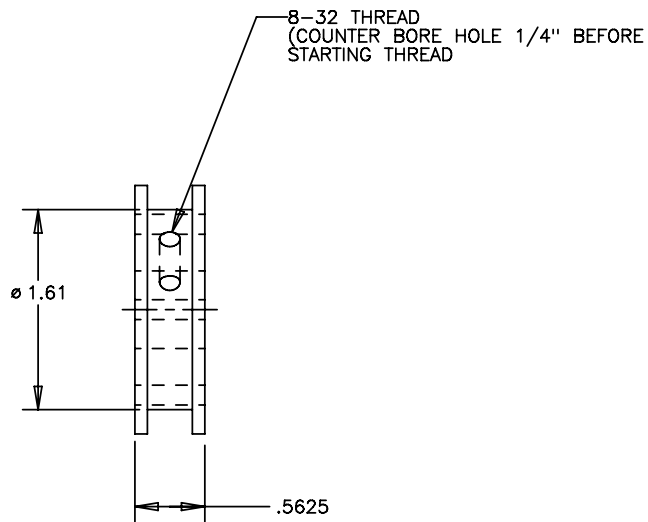




NOTES:
 1. BREAK ALL CORNERS.
 2. S.D.P. #6A3-32H3712

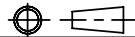
UNLESS OTHERWISE SPECIFIED		ACTIVITY	NAME	DATE	<p style="text-align: center;">ARSYS LLC TEMECULA, CA</p>		
<p>.XXX = ± 0.005 .XX = ± 0.02 .X = $\pm .2$ ANGULAR = $\pm 0.25^\circ$</p>		DRAWN	RH	3/2003			
		CHECKED	MF	3/2003			
		APPROVED	MF	3/2003			
MATERIAL	FINISH	<small>PROPRIETARY AND CONFIDENTIAL THE INFORMATION CONTAINED IN THIS DRAWING IS THE SOLE PROPERTY OF ARSYS LLC. ANY REPRODUCTION IN PART OR AS A WHOLE WITHOUT THE WRITTEN PERMISSION OF ARSYS LLC IS PROHIBITED.</small>			TITLE		
ALUM					IDLER PULLY		
		SIZE	DWG NO.	REV			
		B	G1DV-14				
		SCALE	1.000 : 1		SHEET 1 OF 1		

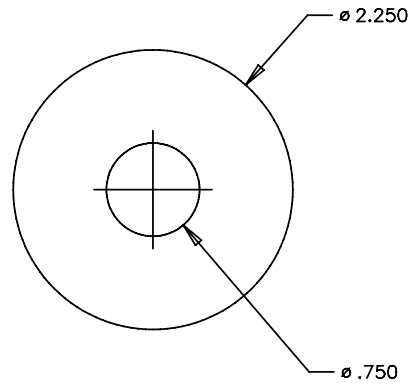
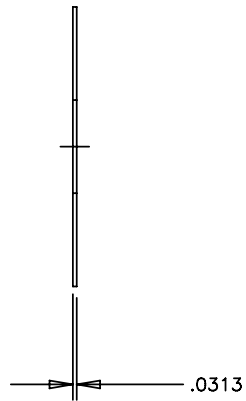




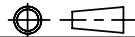
- NOTES:
1. BREAK ALL CORNERS.
2. S.D.P. #6A3-32H3712

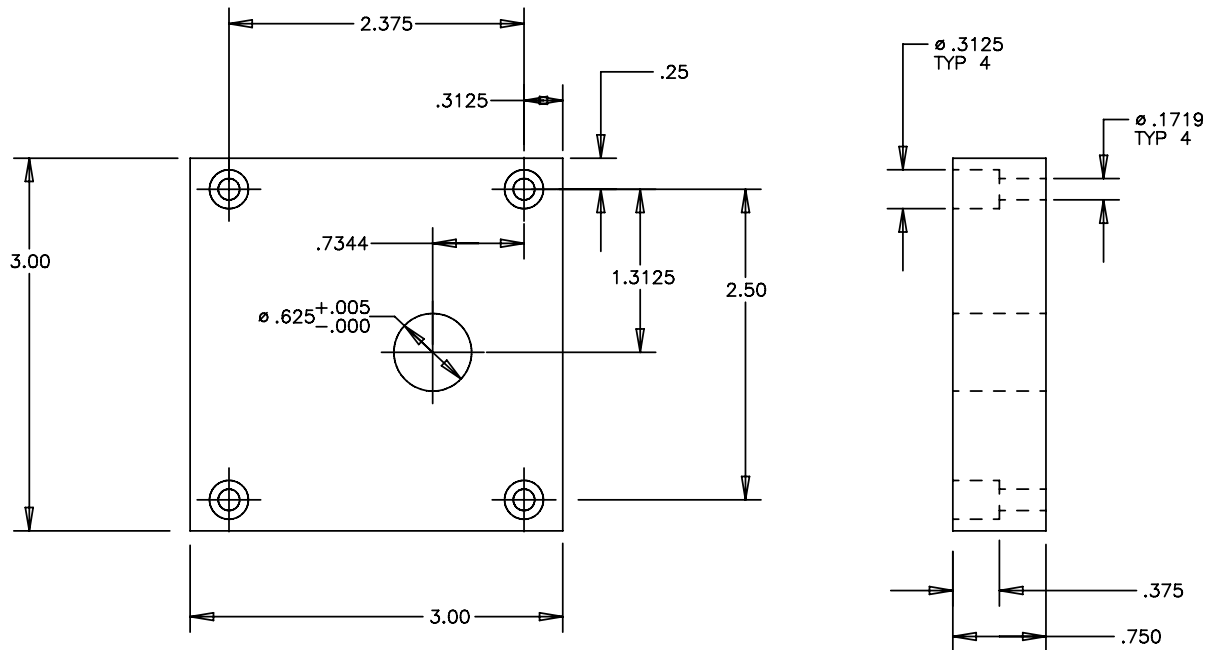
UNLESS OTHERWISE SPECIFIED		ACTIVITY	NAME	DATE	<p style="text-align: center;">ARSYS LLC TEMECULA, CA</p>		
.XXX = ±0.005 .XX = ±.02 .X = ±.2 ANGULAR = ±0.25°		DRAWN	RH	3/2003			
		CHECKED	MF	3/2003			
		APPROVED	MF	3/2003			
MATERIAL	FINISH	PROPRIETARY AND CONFIDENTIAL THE INFORMATION CONTAINED IN THIS DRAWING IS THE SOLE PROPERTY OF ARSYS LLC. ANY REPRODUCTION IN PART OR AS A WHOLE WITHOUT THE WRITTEN PERMISSION OF ARSYS LLC IS PROHIBITED.			TITLE		
ALUM					IDLER PULLY		
		SIZE	DWG NO.		REV		
		B	G1DV-15				
		SCALE			SHEET 1 OF 1		
		1.000 : 1					





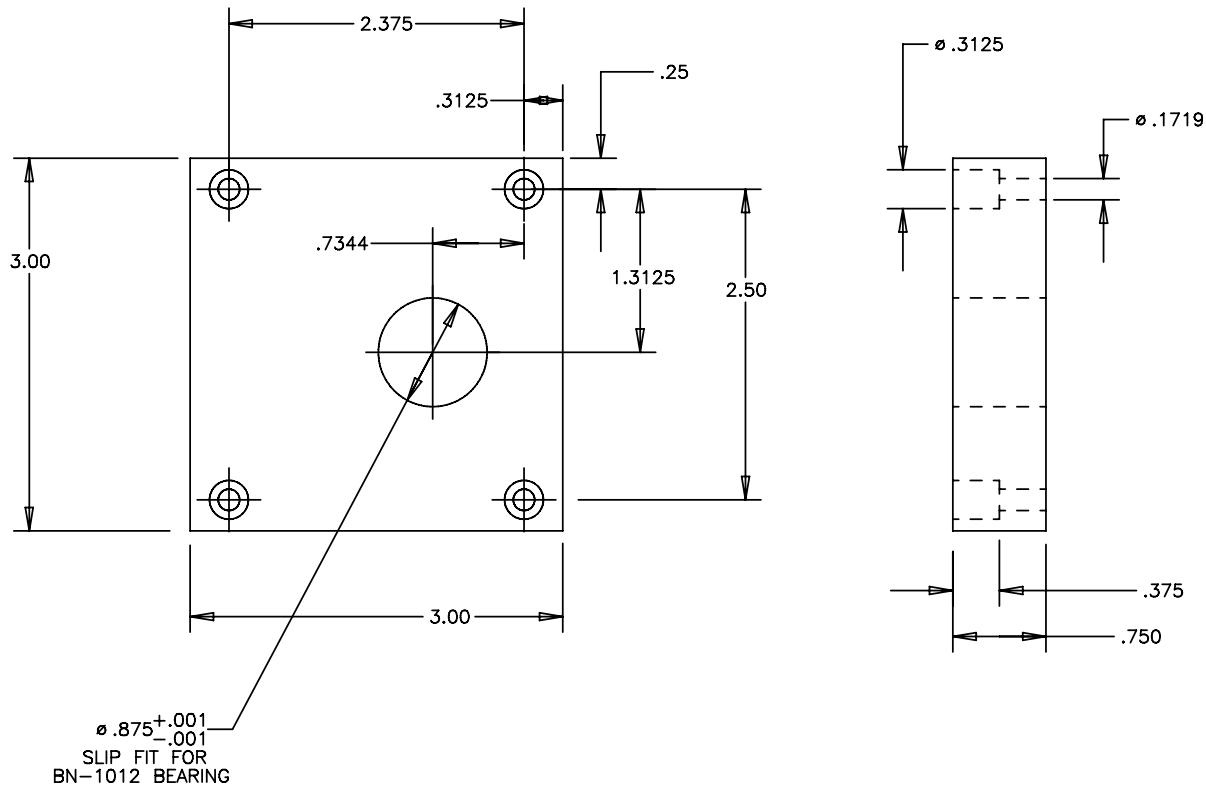
UNLESS OTHERWISE SPECIFIED		ACTIVITY	NAME	DATE	<p style="text-align: center;">ARSYS LLC TEMECULA, CA</p>	
.XXX = ±0.005 .XX = ±.02 .X = ±.2 ANGULAR= ±0.25°		DRAWN	RH	3/2003		
		CHECKED	MF	3/2003		
		APPROVED	MF	3/2003		
MATERIAL	FINISH	PROPRIETARY AND CONFIDENTIAL THE INFORMATION CONTAINED IN THIS DRAWING IS THE SOLE PROPERTY OF ARSYS LLC. ANY REPRODUCTION IN PART OR AS A WHOLE WITHOUT THE WRITTEN PERMISSION OF ARSYS LLC IS PROHIBITED.			TITLE	
TEFLON					TEFLON PULLEY BEARING	
		SIZE	DWG NO.	REV		
		B	G1DV-17			
		SCALE		SHEET 1 OF 1		
		1.000 : 1				





NOTES:
1. BREAK ALL CORNERS.

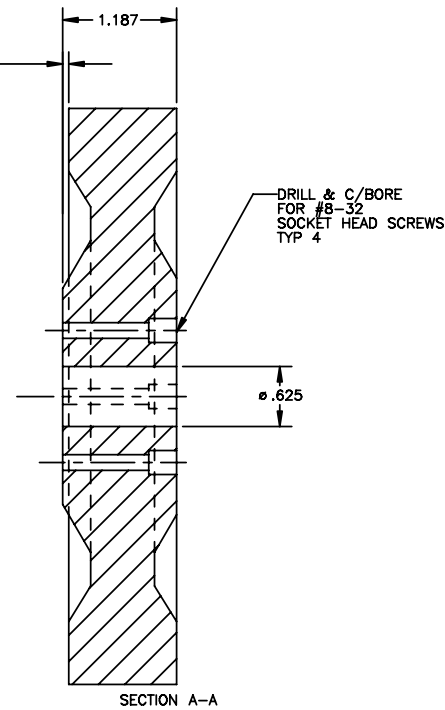
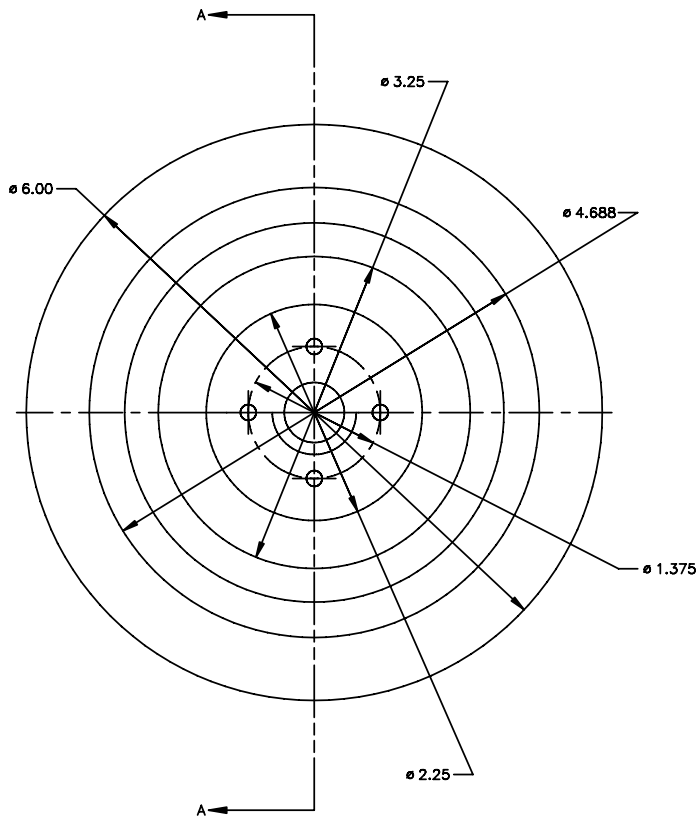
UNLESS OTHERWISE SPECIFIED		ACTIVITY	NAME	DATE	<p style="text-align: center;">ARSYS LLC TEMECULA, CA</p>			
.XXX = ± 0.005 .XX = ± 0.02 .X = $\pm .2$ ANGULAR = $\pm 0.25^\circ$		DRAWN	RH	3/2003				
		CHECKED	MF	3/2003				
		APPROVED	MF	3/2003				
MATERIAL	FINISH	PROPRIETARY AND CONFIDENTIAL THE INFORMATION CONTAINED IN THIS DRAWING IS THE SOLE PROPERTY OF ARSYS LLC. ANY REPRODUCTION IN PART OR AS A WHOLE WITHOUT THE WRITTEN PERMISSION OF ARSYS LLC IS PROHIBITED.			TITLE		IDLER SHAFT MOUNT PLATE	
6061 ALUM					SIZE	B	DWG NO.	GIDV-18
		DO NOT SCALE THE DRAWING			SCALE	1.000 : 1	SHEET 1 OF 1	



$\phi .875^{+.001}_{-.001}$
 SLIP FIT FOR
 BN-1012 BEARING

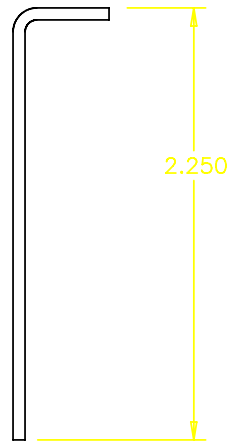
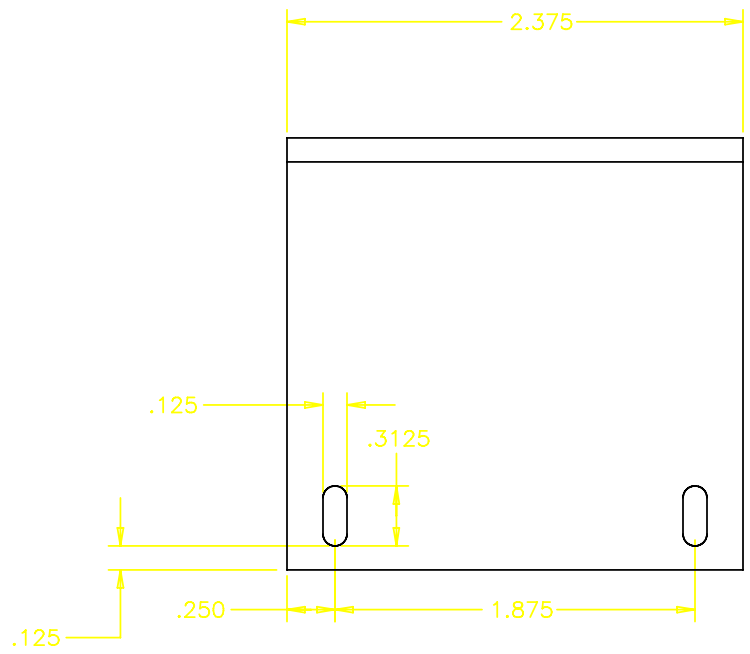
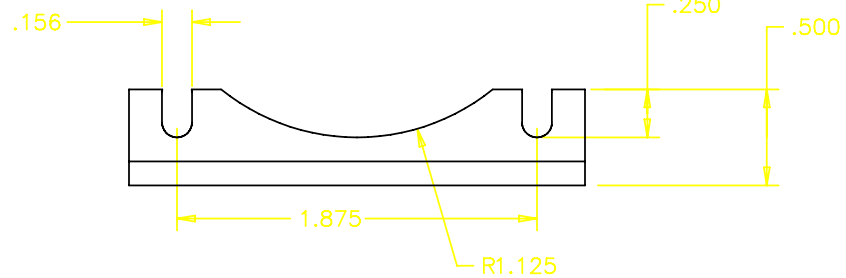
NOTES:
 1. BREAK ALL CORNERS.

UNLESS OTHERWISE SPECIFIED		ACTIVITY	NAME	DATE	ARSYS LLC TEMECULA, CA		
.XXX = ± 0.005		DRAWN	RH	3/2003			
.XX = ± 0.02		CHECKED	MF	3/2003			
.X = $\pm .2$		APPROVED	MF	3/2003			
ANGULAR = $\pm 0.25^\circ$					TITLE		
MATERIAL	FINISH	PROPRIETARY AND CONFIDENTIAL THE INFORMATION CONTAINED IN THIS DRAWING IS THE SOLE PROPERTY OF ARSYS LLC. ANY REPRODUCTION IN PART OR AS A WHOLE WITHOUT THE WRITTEN PERMISSION OF ARSYS LLC IS PROHIBITED.			DRIVE SHAFT MOUNT PLATE		
6061 ALUM					SIZE	DWG NO.	REV
		DO NOT SCALE THE DRAWING			SCALE	1.000 : 1	SHEET 1 OF 1



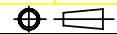
NOTES:
1. BREAK ALL SHARP CORNERS

UNLESS OTHERWISE SPECIFIED		ACTIVITY	NAME	DATE	<p style="text-align: center;">ARSYS LLC TEMECULA, CA</p>			
.XXX = ±0.005		DRAWN	RH	3/2003				
.XX = ±.02		CHECKED	MF	3/2003				
.X = ±.2		APPROVED	MF	3/2003				
ANGULAR = ±0.25°					<p style="text-align: center;">DRIVE WHEEL</p>			
MATERIAL	FINISH	<small>PROPRIETARY AND CONFIDENTIAL THE INFORMATION CONTAINED HEREIN IS THE PROPERTY OF ARSYS, LLC, AND REPRODUCTION IN ANY FORM OR BY ANY MEANS WITHOUT THE WRITTEN PERMISSION OF ARSYS LLC IS PROHIBITED.</small>			TITLE	SIZE	DWG NO.	REV
HARD NEOPREME					C	G1DV-2		
DO NOT SCALE THE DRAWING					SCALE	1,000 : 1		SHEET 1 OF 1



NOTES:
1. BREAK ALL CORNERS.

UNLESS OTHERWISE SPECIFIED		ACTIVITY	NAME	DATE	ARSYS LLC TEMECULA, CA TITLE INTERRUPTER MOUNT PART A SIZE C DWG NO. G1DV-24A REV SCALE 2,000 : 1 SHEET 1 OF 1		
.XXX = ±0.005		DRAWN	RH	3/2003			
.XX = ±.02		CHECKED	MF	3/2003			
X = ±.2		APPROVED	MF	3/2003			
ANGULAR = ±0.25°		PROPRIETARY AND CONFIDENTIAL THE INFORMATION CONTAINED IN THIS DRAWING IS THE SOLE PROPERTY OF ARSYS LLC AND IS TO BE USED ONLY FOR THE PROJECT AND FOR WHICH IT WAS PREPARED. NO PART OF THIS DRAWING IS TO BE REPRODUCED OR TRANSMITTED IN ANY FORM OR BY ANY MEANS, ELECTRONIC OR MECHANICAL, WITHOUT THE WRITTEN PERMISSION OF ARSYS LLC.			DO NOT SCALE THE DRAWING		
MATERIAL	FINISH						
5052 ALUM 1/16"							



4

3

2

1

D

D

C

C

B

B

A

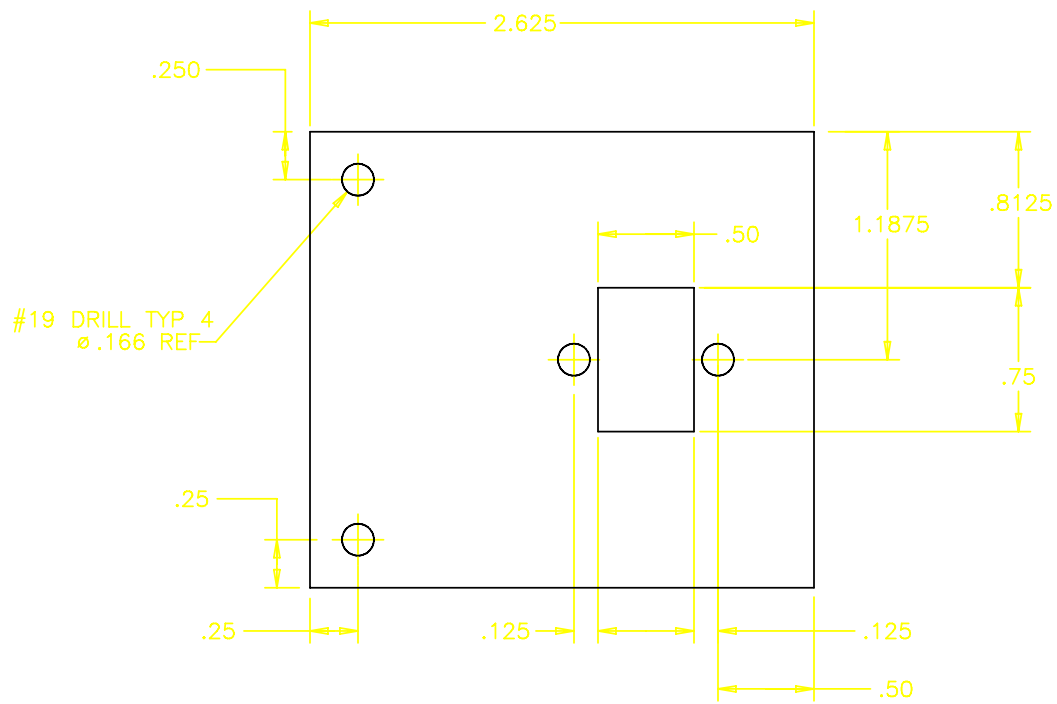
A

4

3

2

1



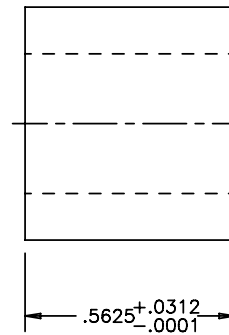
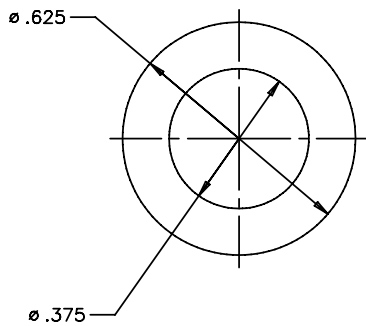
#19 DRILL TYP 4
ø .166 REF



NOTES:
1. BREAK ALL CORNERS.

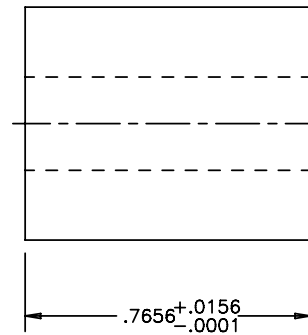
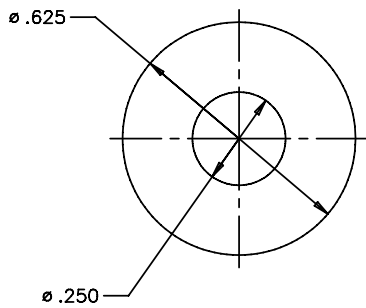
UNLESS OTHERWISE SPECIFIED		ACTIVITY	NAME	DATE	ARSYS LLC TEMECULA, CA TITLE: INTERRUPTER MOUNT PART B SIZE: C DWG NO.: G1DV-24B SCALE: 2,000 : 1 SHEET 1 OF 1		
.XXX = ±0.005		DRAWN	RH	3/2003			
.XX = ±.02		CHECKED	MF	3/2003			
.X = ±.2		APPROVED	MF	3/2003	PROPRIETARY AND CONFIDENTIAL THE INFORMATION CONTAINED HEREIN IS THE SOLE PROPERTY OF ARSYS LLC AND IS NOT TO BE REPRODUCED OR TRANSMITTED IN ANY FORM OR BY ANY MEANS WITHOUT THE WRITTEN PERMISSION OF ARSYS LLC IS PROHIBITED.		
MATERIAL	FINISH	DO NOT SCALE THE DRAWING					
5052 ALUM 1/16"							





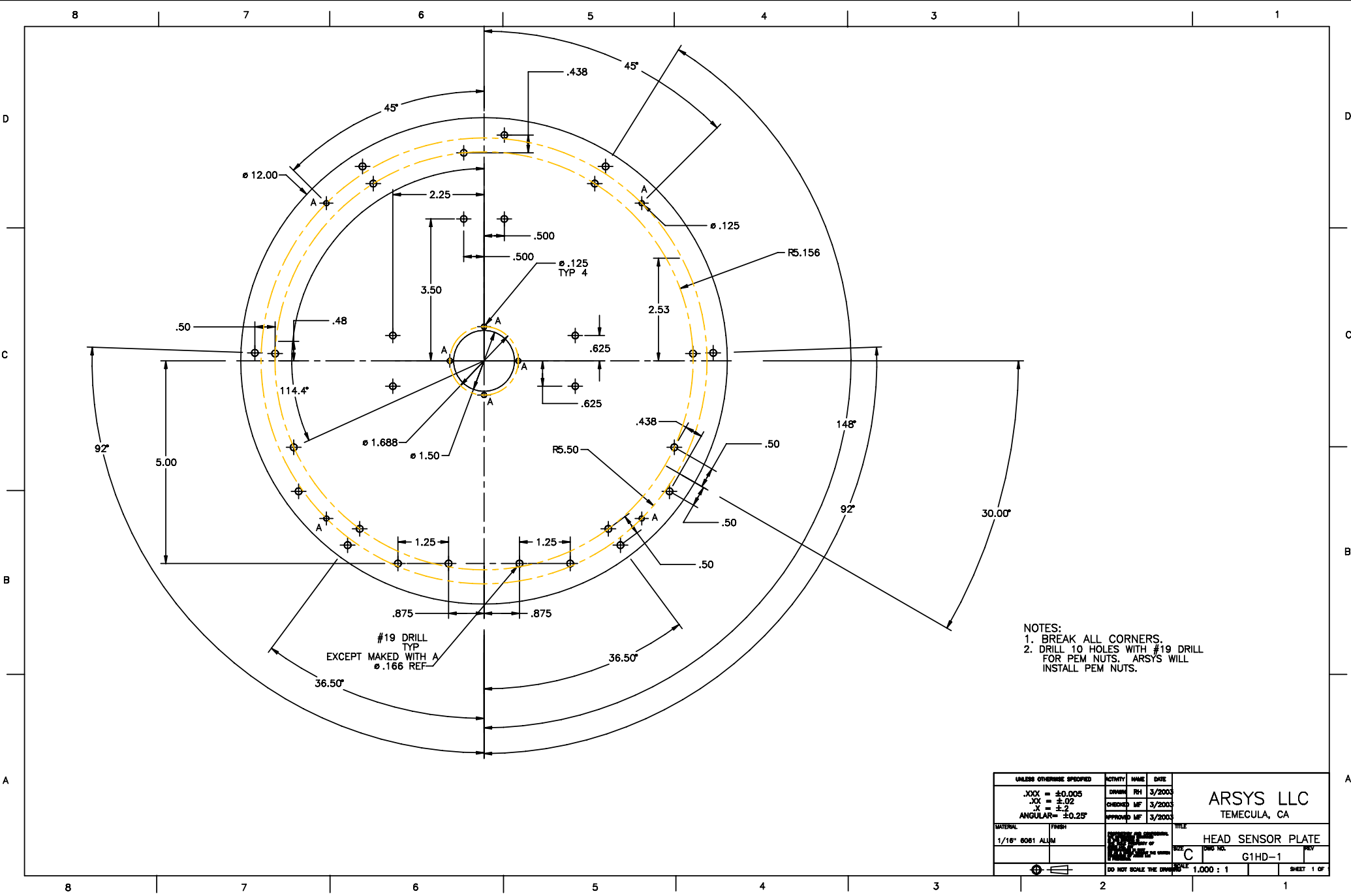
NOTES:
1. BREAK ALL CORNERS.

UNLESS OTHERWISE SPECIFIED		ACTIVITY	NAME	DATE	<p style="text-align: center;">ARSYS LLC TEMECULA, CA</p>			
<p>.XXX = ± 0.005 .XX = ± 0.02 .X = $\pm .2$ ANGULAR = $\pm 0.25^\circ$</p>		DRAWN	RH	3/2003				
		CHECKED	MF	3/2003				
		APPROVED	MF	3/2003				
MATERIAL	FINISH	<p>PROPRIETARY AND CONFIDENTIAL THE INFORMATION CONTAINED IN THIS DRAWING IS THE SOLE PROPERTY OF ARSYS LLC. ANY REPRODUCTION IN PART OR AS A WHOLE WITHOUT THE WRITTEN PERMISSION OF ARSYS LLC IS PROHIBITED.</p>			TITLE	<p style="text-align: center;">BELT TENSION COMPONENT</p>		
STAINLESS STEEL					SIZE	B	DWG NO.	GIDV-5C
		DO NOT SCALE THE DRAWING			SCALE	3.000 : 1		SHEET 1 OF 1



NOTES:
1. BREAK ALL CORNERS.

UNLESS OTHERWISE SPECIFIED		ACTIVITY	NAME	DATE	<p style="text-align: center;">ARSYS LLC TEMECULA, CA</p>	
.XXX = ±0.005 .XX = ±.02 .X = ±.2 ANGULAR = ±0.25°		DRAWN	RH	3/2003		
		CHECKED	MF	3/2003		
		APPROVED	MF	3/2003		
MATERIAL	FINISH	PROPRIETARY AND CONFIDENTIAL THE INFORMATION CONTAINED IN THIS DRAWING IS THE SOLE PROPERTY OF ARSYS LLC. ANY REPRODUCTION IN PART OR AS A WHOLE WITHOUT THE WRITTEN PERMISSION OF ARSYS LLC IS PROHIBITED.			TITLE	
STAINLESS STEEL					BELT TENSION COMPONENT	
		SIZE	DWG NO.		REV	
		B	GIDV-5E			
		DO NOT SCALE THE DRAWING		SCALE	SHEET 1 OF 1	
		3.000 : 1				



NOTES:
 1. BREAK ALL CORNERS.
 2. DRILL 10 HOLES WITH #19 DRILL FOR PEM NUTS. ARSYS WILL INSTALL PEM NUTS.

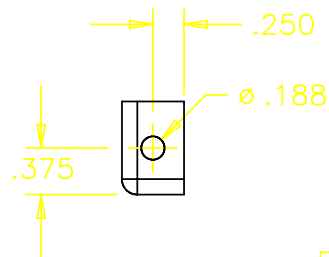
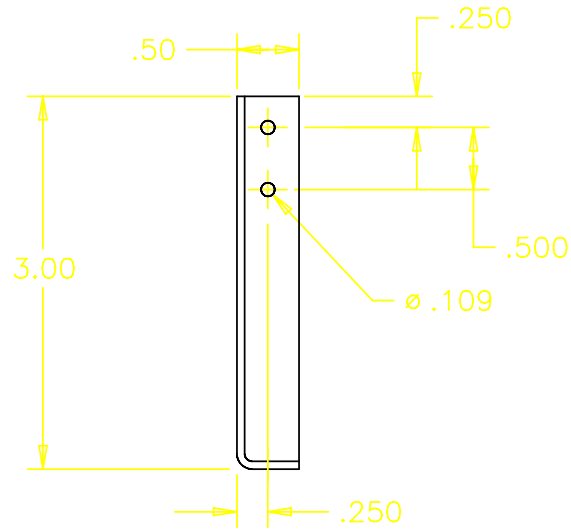
UNLESS OTHERWISE SPECIFIED		ACTIVITY	NAME	DATE
.XXX = ±0.005		DRIVEN	RH	3/2003
.XX = ±.02		CHECKED	MF	3/2003
.X = ±.2		APPROVED	MF	3/2003
ANGULAR = ±0.25°				

MATERIAL		FINISH		TITLE	
1/16" 8061 ALUM		[REDACTED]		HEAD SENSOR PLATE	
SIZE		DWS NO.		REV	
C		G1HD-1		1	

ARSYS LLC
 TEMECULA, CA

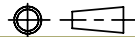
HEAD SENSOR PLATE
 G1HD-1

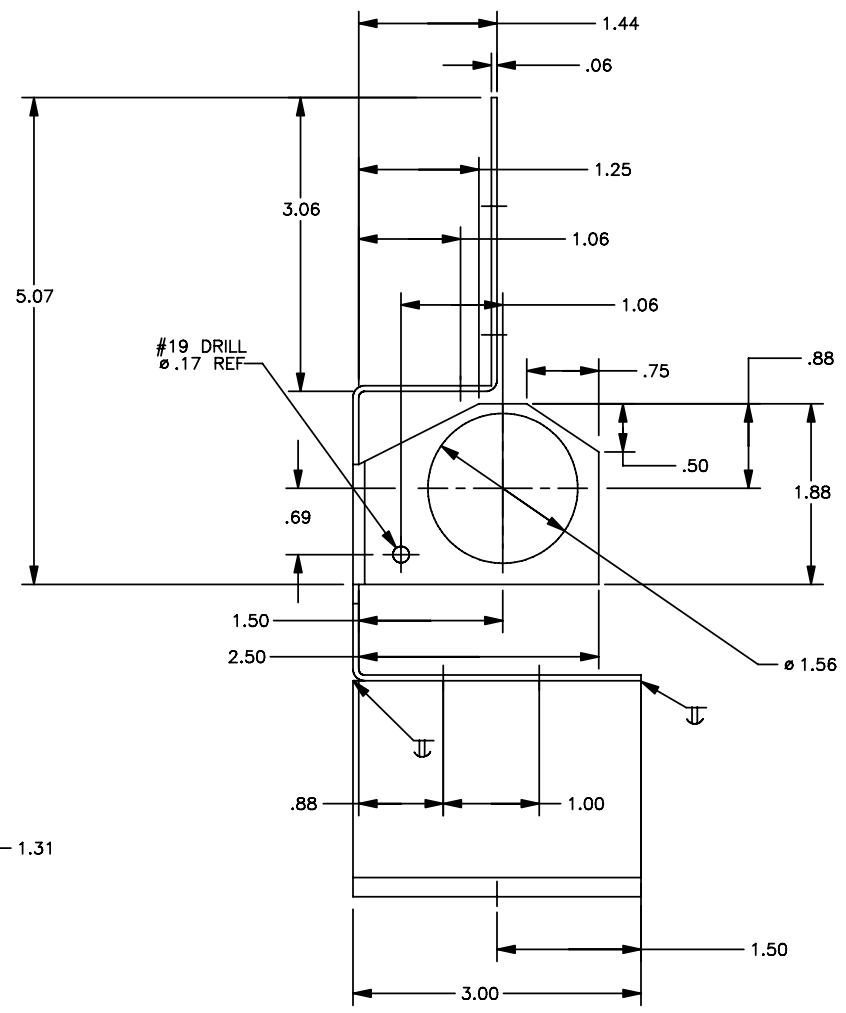
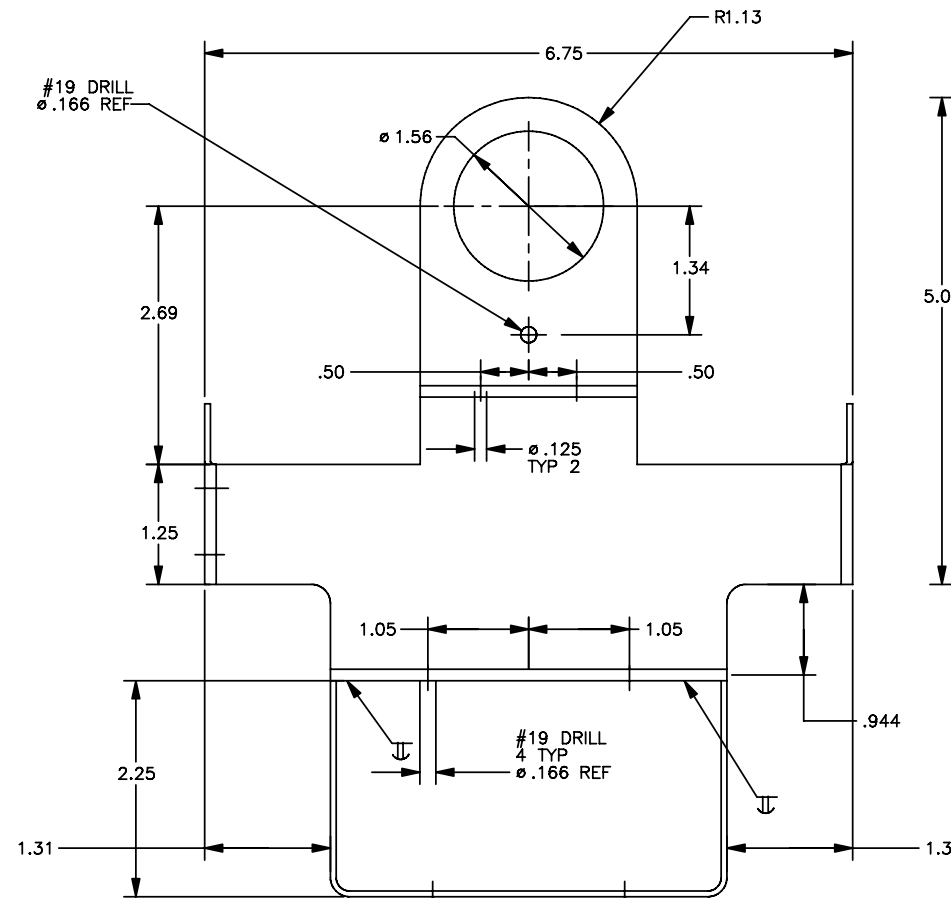
DO NOT SCALE THE DRAWING 1,000 : 1 SHEET 1 OF 1



NOTES:
1. BREAK ALL CORNERS.

UNLESS OTHERWISE SPECIFIED		ACTIVITY	NAME	DATE	<p style="text-align: center;">ARSYS LLC TEMECULA, CA</p>	
.XXX = ± 0.005		DRAWN	RH	3/2003		
.XX = $\pm .02$		CHECKED	MF	3/2003		
.X = $\pm .2$		APPROVED	MF	3/2003		
ANGULAR = $\pm 0.25^\circ$					TITLE	
MATERIAL	FINISH	PROPRIETARY AND CONFIDENTIAL THE INFORMATION CONTAINED IN THIS DRAWING IS THE SOLE PROPERTY OF ARSYS LLC. ANY REPRODUCTION IN PART OR AS A WHOLE WITHOUT THE WRITTEN PERMISSION OF ARSYS LLC IS PROHIBITED.			HEAD MOUNT CLIPS	
5051 ALUM 3 1/2" X 1 1/4" X 1/16"	X				SIZE	DWG NO.
		DO NOT SCALE THE DRAWING			SCALE	1.000 : 1
					SHEET 1 OF 1	





NOTES:
1. BREAK ALL SHARP CORNERS

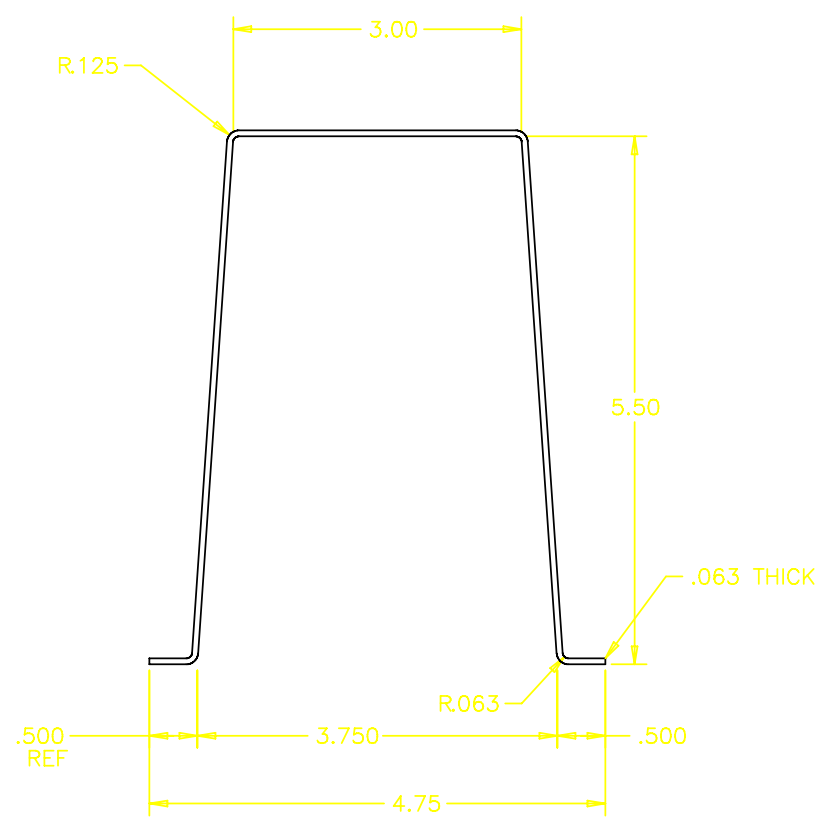
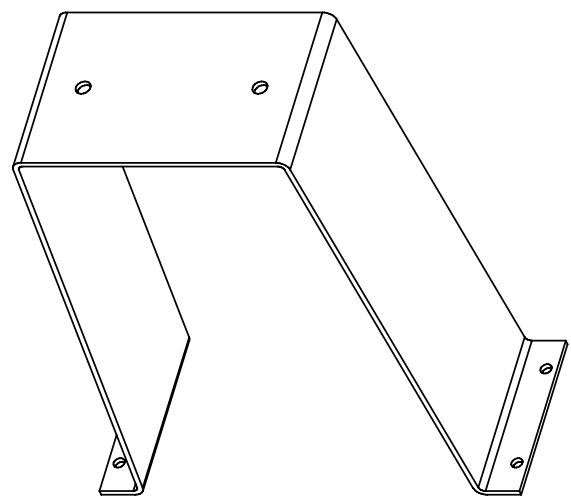
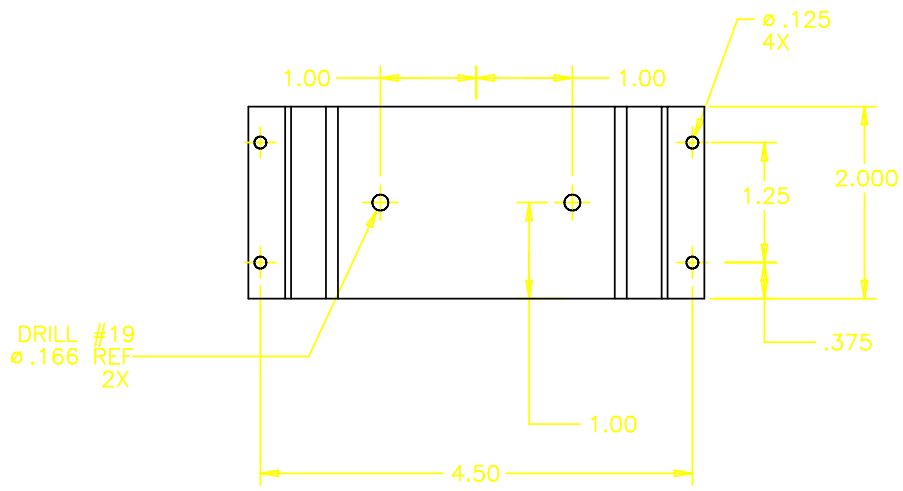
UNLESS OTHERWISE SPECIFIED		ACTIVITY	NAME	DATE	ARSYS LLC TEMECULA, CA						
.XXX = ±0.005		DRAWN	RH	3/2003				TITLE HEAD SONAR R BRACKET			
.XX = ±.02		CHECKED	MF	3/2003						SIZE C	
.X = ±.2		APPROVED	MF	3/2003							
ANGULAR = ±0.25°					REV						
MATERIAL	FINISH	PROPRIETARY AND CONFIDENTIAL THE INFORMATION CONTAINED HEREIN IS THE PROPERTY OF ARSYS LLC AND IS TO BE USED ONLY FOR THE PURPOSES OF ARSYS LLC AND AS A WHOLE WITHOUT THE WRITTEN PERMISSION OF ARSYS LLC IS PROHIBITED.					SCALE 1,000 : 1				
5052 ALUM	BLUE ANODIZ	DO NOT SCALE THE DRAWING					SHEET 1 OF 1				

4

3

2

1



NOTES:
1. BREAK ALL CORNERS.

UNLESS OTHERWISE SPECIFIED		ACTIVITY	NAME	DATE	ARSYS LLC TEMECULA, CA						
.XXX = ± 0.005		DRAWN	RH	3/2003				IR SONAR STAND G1HD-12			
.XX = $\pm .02$		CHECKED	MF	3/2003						SIZE	C
.X = $\pm .2$		APPROVED	MF	3/2003						DWG NO.	G1HD-12
ANGULAR = $\pm 0.25^\circ$		PROPRIETARY AND CONFIDENTIAL THE INFORMATION CONTAINED HEREIN IS THE PROPERTY OF ARSYS LLC AND SHALL REMAIN THE PROPERTY OF ARSYS LLC AND SHALL NOT BE DISCLOSED OR REPRODUCED IN ANY MANNER OR AS A WHOLE WITHOUT THE WRITTEN PERMISSION OF ARSYS LLC IS PROHIBITED.			SCALE	1,000 : 1	REV				
MATERIAL	FINISH	DO NOT SCALE THE DRAWING			SHEET		1 OF 1				
5052 ALUM 1/16"											

D

C

B

A

4

3

2

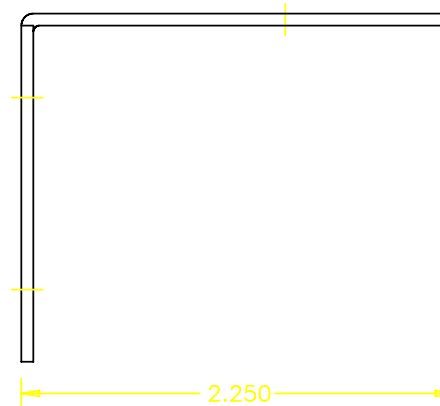
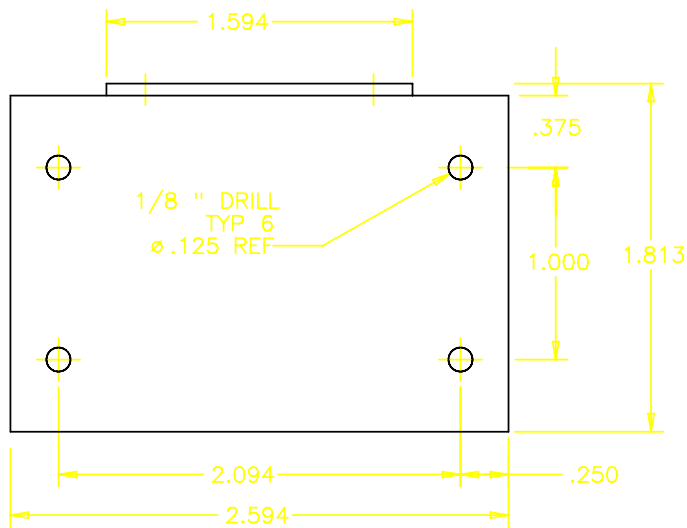
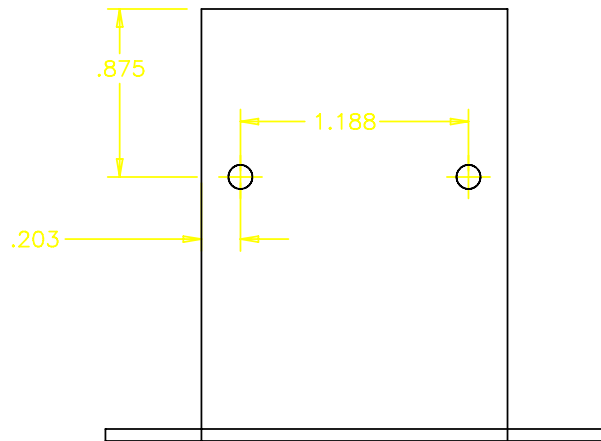
1

4

3

2

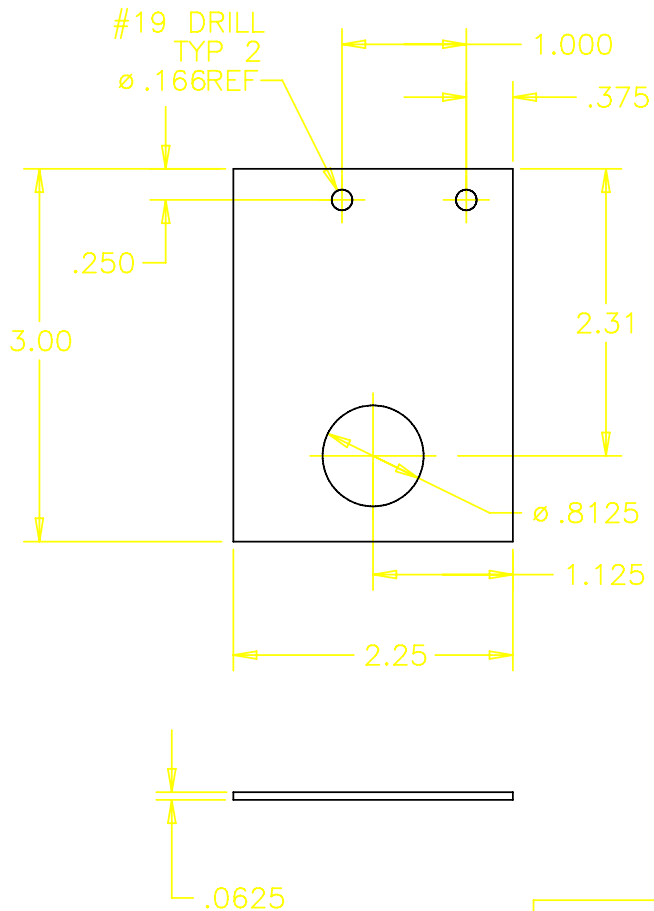
1



NOTES:
1. BREAK ALL CORNERS.

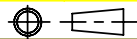
UNLESS OTHERWISE SPECIFIED		ACTIVITY	NAME	DATE	ARSYS LLC TEMECULA, CA		
.XXX = ±0.005		DRAWN	RH	3/2003			
.XX = ±.02		CHECKED	MF	3/2003			
.X = ±.2		APPROVED	MF	3/2003			
ANGULAR = ±0.25°					TITLE		
MATERIAL	FINISH	PROPRIETARY AND CONFIDENTIAL THE INFORMATION CONTAINED IN THIS DRAWING IS THE SOLE PROPERTY OF ARSYS LLC AND IS TO BE USED ONLY IN CONNECTION WITH THE WORK FOR WHICH IT WAS PREPARED. ANY REUSE OR REPRODUCTION IN ANY FORM OR BY ANY MEANS WITHOUT THE WRITTEN PERMISSION OF ARSYS LLC IS PROHIBITED.			INFRARED SENSOR BRACKET		
5052 ALUM 1/16"		SIZE	C	DWG NO.	G1HD-15	REV	
		DO NOT SCALE THE DRAWING			SCALE	2,000 : 1	SHEET 1 OF 1

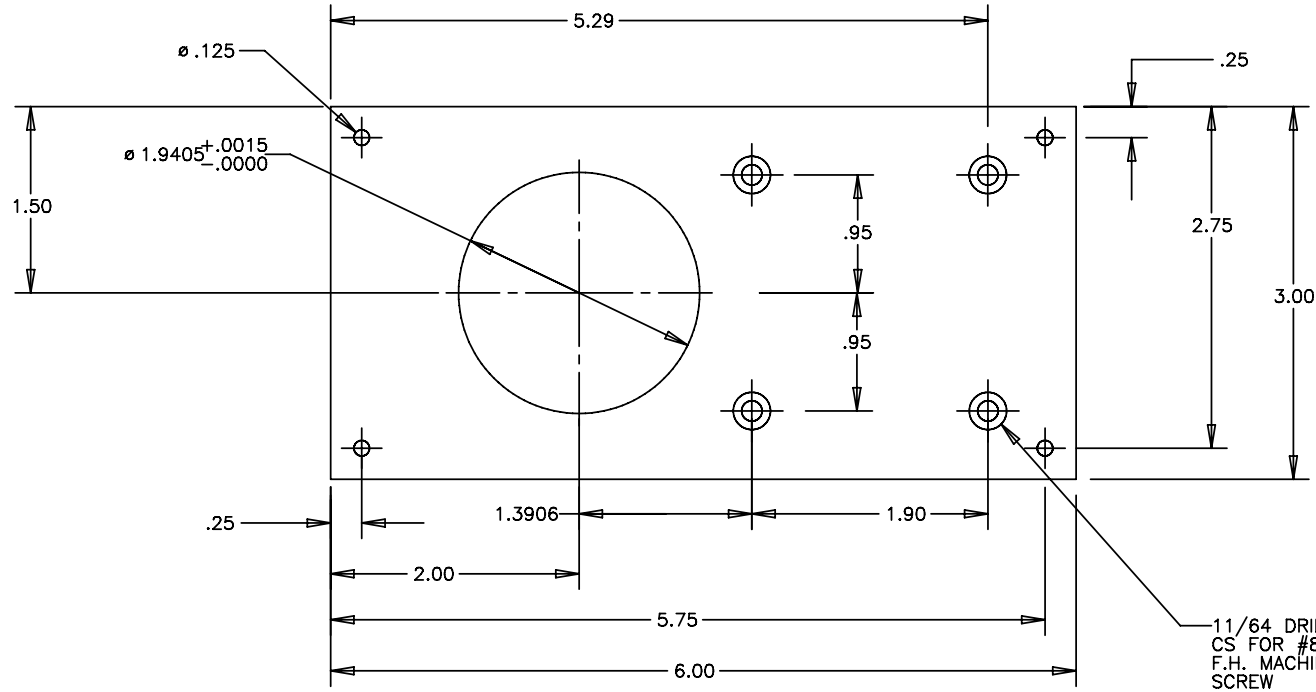




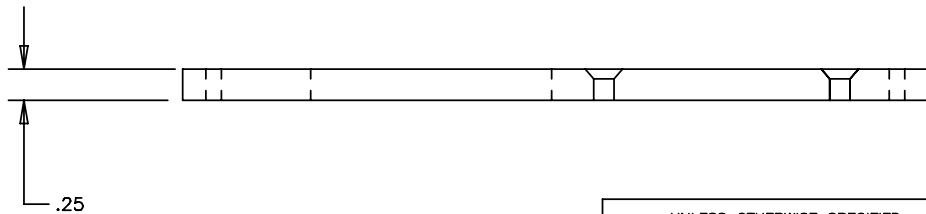
NOTES:
1. BREAK ALL CORNERS.

UNLESS OTHERWISE SPECIFIED		ACTIVITY	NAME	DATE	<p style="text-align: center;">ARSYS LLC TEMECULA, CA</p>		
.XXX = ± 0.005		DRAWN	RH	3/2003			
.XX = $\pm .02$		CHECKED	MF	3/2003			
.X = $\pm .2$		APPROVED	MF	3/2003			
ANGULAR = $\pm 0.25^\circ$					TITLE PHOTO CELL BRACKET		
MATERIAL	FINISH	<small>PROPRIETARY AND CONFIDENTIAL THE INFORMATION CONTAINED IN THIS DRAWING IS THE SOLE PROPERTY OF ARSYS LLC. ANY REPRODUCTION IN PART OR AS A WHOLE WITHOUT THE WRITTEN PERMISSION OF ARSYS LLC IS PROHIBITED.</small>			SIZE	DWG NO.	REV
6061 ALUM 1/16"					B	G1HD-17	
		DO NOT SCALE THE DRAWING		SCALE	1.000 : 1	SHEET 1 OF 1	



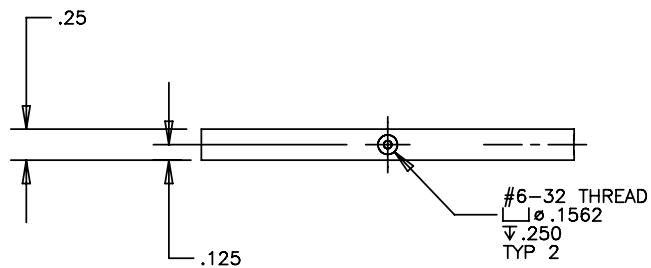
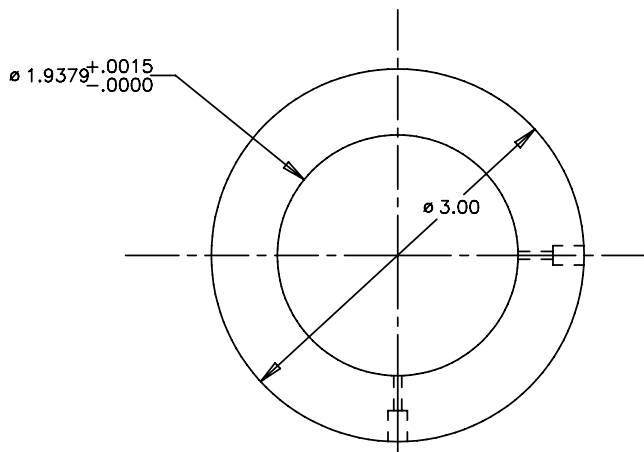


11/64 DRILL
CS FOR #8-32
F.H. MACHINE
SCREW
TYP 4



- NOTES:
 1. BREAK ALL CORNERS.
 2. BUSHING IS TO HAVE SLIP FIT IN BEARING BLOCK.

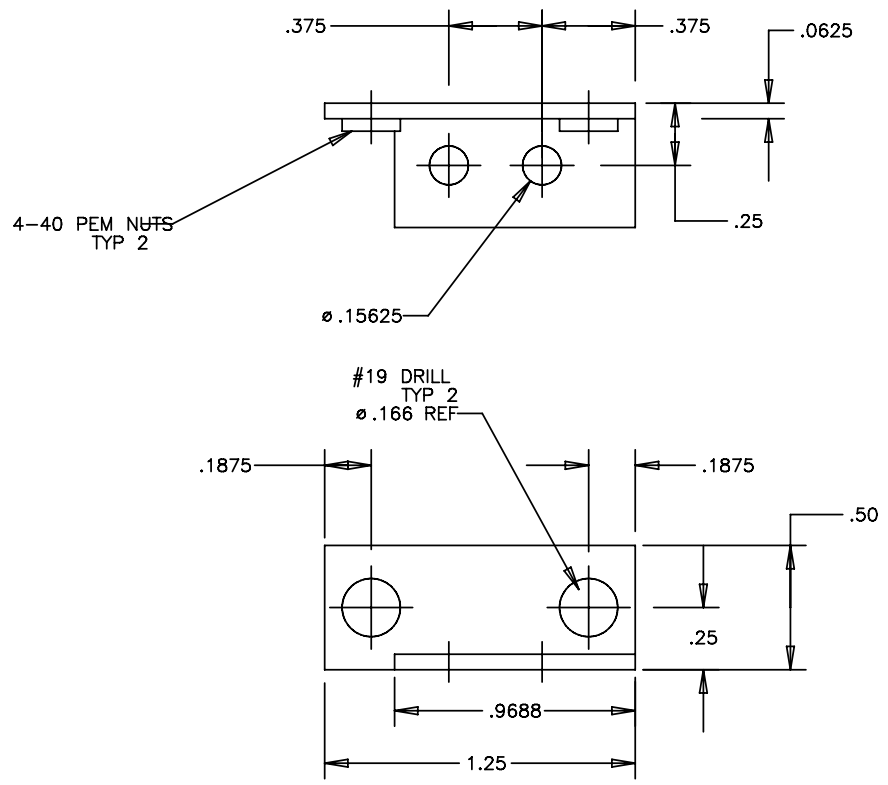
UNLESS OTHERWISE SPECIFIED		ACTIVITY	NAME	DATE	<p style="text-align: center;">ARSYS LLC TEMECULA, CA</p>	
.XXX = ± 0.005		DRAWN	RH	3/2003		
.XX = $\pm .02$		CHECKED	MF	3/2003		
.X = $\pm .2$		APPROVED	MF	3/2003		
ANGULAR = $\pm 0.25^\circ$					TITLE	
MATERIAL	FINISH	<small>PROPRIETARY AND CONFIDENTIAL THE INFORMATION CONTAINED IN THIS DRAWING IS THE SOLE PROPERTY OF ARSYS LLC. ANY REPRODUCTION IN PART OR AS A WHOLE WITHOUT THE WRITTEN PERMISSION OF ARSYS LLC IS PROHIBITED.</small>			BEARING BLOCK	
6061 ALUM					SIZE	DWG NO.
		DO NOT SCALE THE DRAWING			SCALE	1.000 : 1
					SHEET 1 OF 1	



NOTES:

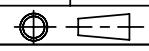
1. SLIP FIT BETWEEN GEAR AND NECK BUSHING.
2. BRASS GEAR SUPPLIED BY ARTEC SYSTEMS.
3. S.D.P. # 1B2-N24072

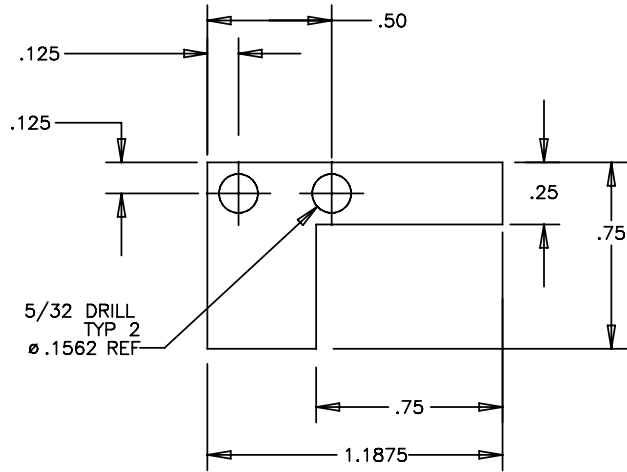
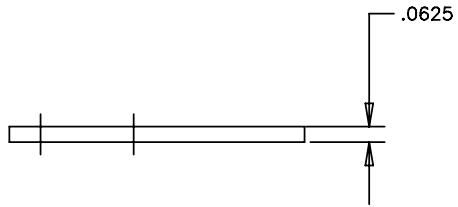
UNLESS OTHERWISE SPECIFIED		ACTIVITY	NAME	DATE	<h1 style="margin: 0;">ARSYS LLC</h1> <p style="margin: 0;">TEMECULA, CA</p>		
.XXX = ± 0.005 .XX = ± 0.02 .X = $\pm .2$ ANGULAR = $\pm 0.25^\circ$		DRAWN	RH	3/2003			
		CHECKED	MF	3/2003			
		APPROVED	MF	3/2003			
MATERIAL	FINISH	PROPRIETARY AND CONFIDENTIAL THE INFORMATION CONTAINED IN THIS DRAWING IS THE SOLE PROPERTY OF ARSYS LLC. ANY REPRODUCTION IN PART OR AS A WHOLE WITHOUT THE WRITTEN PERMISSION OF ARSYS LLC IS PROHIBITED.			TITLE		
BRASS					SIZE	DWG NO.	REV
		DO NOT SCALE THE DRAWING			SCALE	1.000 : 1	SHEET 1 OF 1
							HEAD GEAR G1HD-27



NOTES:
1. BREAK ALL CORNERS.

UNLESS OTHERWISE SPECIFIED		ACTIVITY	NAME	DATE	<h1>ARSYS LLC</h1> <p>TEMECULA, CA</p>	
.XXX = ±0.005 .XX = ±.02 .X = ±.2 ANGULAR = ±0.25°		DRAWN	RH	3/2003		
		CHECKED	MF	3/2003		
		APPROVED	MF	3/2003		
MATERIAL	FINISH	<small>PROPRIETARY AND CONFIDENTIAL THE INFORMATION CONTAINED IN THIS DRAWING IS THE SOLE PROPERTY OF ARSYS LLC. ANY REPRODUCTION IN PART OR AS A WHOLE WITHOUT THE WRITTEN PERMISSION OF ARSYS LLC IS PROHIBITED.</small>			TITLE	
6061 ALUM					HEAD STOP CLIP	
		SIZE	DWG NO.		REV	
		B	G1HD-28			
		SCALE		SHEET 1 OF 1		
		2.000 : 1				

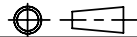


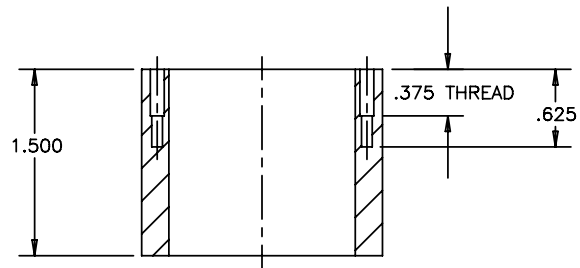
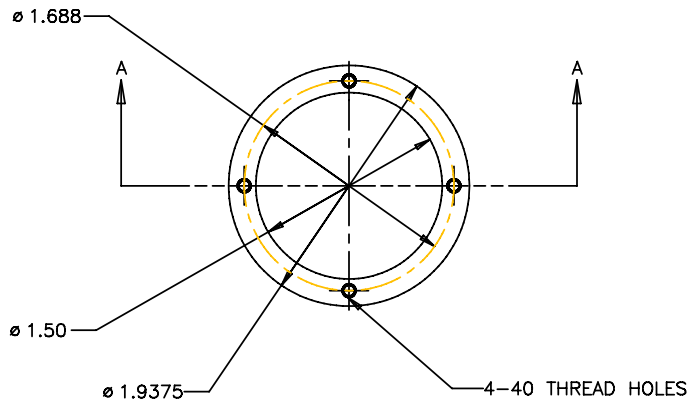


NOTES:

1. MATERIAL: COPPER PLATED PC. BOARD .0625.

UNLESS OTHERWISE SPECIFIED		ACTIVITY	NAME	DATE	<p style="text-align: center;">ARSYS LLC TEMECULA, CA</p>	
<p>.XXX = ±0.005 .XX = ±.02 .X = ±.2 ANGULAR = ±0.25°</p>		DRAWN	RH	3/2003		
		CHECKED	MF	3/2003		
		APPROVED	MF	3/2003		
MATERIAL	FINISH	<p>PROPRIETARY AND CONFIDENTIAL THE INFORMATION CONTAINED IN THIS DRAWING IS THE SOLE PROPERTY OF ARSYS LLC. ANY REPRODUCTION IN PART OR AS A WHOLE WITHOUT THE WRITTEN PERMISSION OF ARSYS LLC IS PROHIBITED.</p>			TITLE	
CU CLAD BOARD					HEAD STOP	
		SIZE	DWG NO.		REV	
		B	G1HD-29			
		DO NOT SCALE THE DRAWING			SCALE	SHEET 1 OF 1
		2.000 : 1				

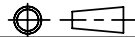


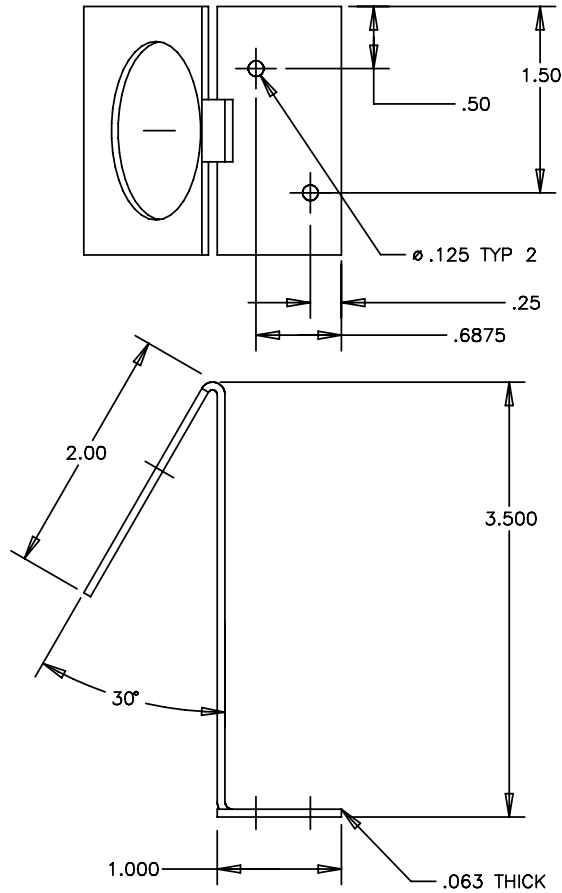
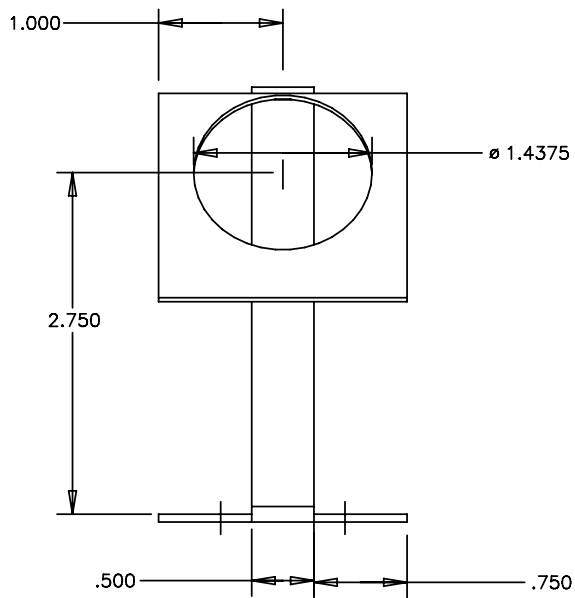


SECTION A-A

NOTES:
1. BREAK ALL CORNERS.

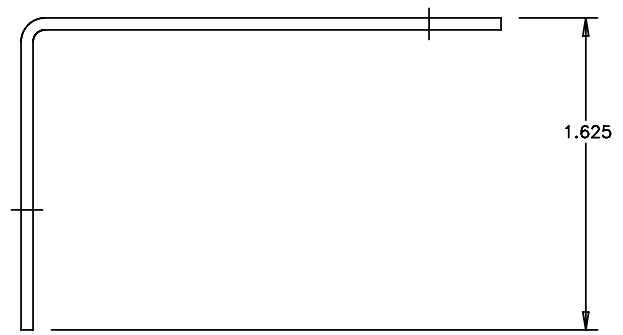
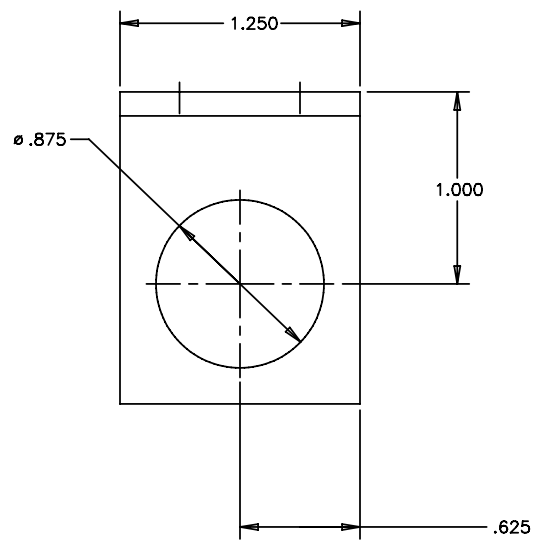
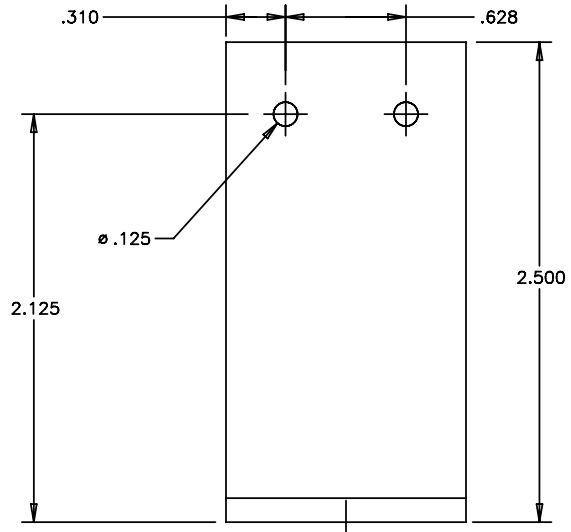
UNLESS OTHERWISE SPECIFIED		ACTIVITY	NAME	DATE	<p style="text-align: center;">ARSYS LLC TEMECULA, CA</p>		
.XXX = ± 0.005		DRAWN	RH	3/2003			
.XX = ± 0.02		CHECKED	MF	3/2003			
.X = $\pm .2$		APPROVED	MF	3/2003			
ANGULAR = $\pm 0.25^\circ$					TITLE BOTTOM TORSO CLIP		
MATERIAL	FINISH	<small>PROPRIETARY AND CONFIDENTIAL THE INFORMATION CONTAINED IN THIS DRAWING IS THE SOLE PROPERTY OF ARSYS LLC. ANY REPRODUCTION IN PART OR AS A WHOLE WITHOUT THE WRITTEN PERMISSION OF ARSYS LLC IS PROHIBITED.</small>			SIZE	DWG NO.	REV
5051 ALUM 1/16"					B	G1HD-3	
		DO NOT SCALE THE DRAWING			SCALE	1.000 : 1	SHEET 1 OF 1





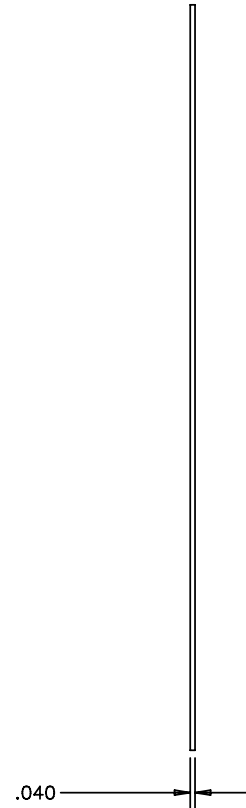
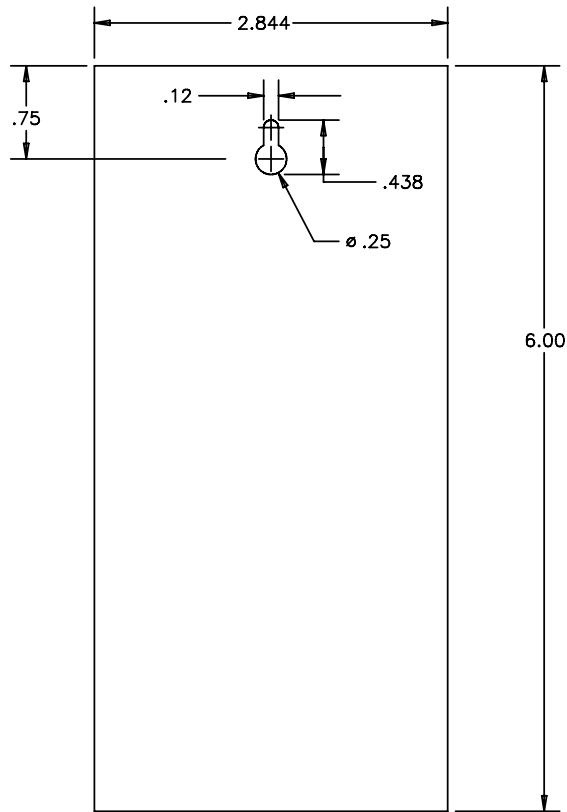
NOTES:
1. BREAK ALL CORNERS.

UNLESS OTHERWISE SPECIFIED		ACTIVITY	NAME	DATE	<p style="text-align: center;">ARSYS LLC TEMECULA, CA</p> <p style="text-align: center;">TITLE HEAD MICROPHONE BRACKET</p>				
.XXX = ±0.005		DRAWN	RH	3/2003				<p>SIZE B</p>	<p>DWG NO. G1HD-4</p>
.XX = ±.02		CHECKED	MF	3/2003					
.X = ±.2		APPROVED	MF	3/2003					
ANGULAR = ±0.25°		<p>PROPRIETARY AND CONFIDENTIAL THE INFORMATION CONTAINED IN THIS DRAWING IS THE SOLE PROPERTY OF ARSYS LLC. ANY REPRODUCTION IN PART OR AS A WHOLE WITHOUT THE WRITTEN PERMISSION OF ARSYS LLC IS PROHIBITED.</p>			<p>REV</p>				
MATERIAL	FINISH	DO NOT SCALE THE DRAWING			SCALE	1.000 : 1	SHEET 1 OF 1		
5052 ALUM 1/16"									



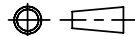
NOTES:
1. BREAK ALL CORNERS.

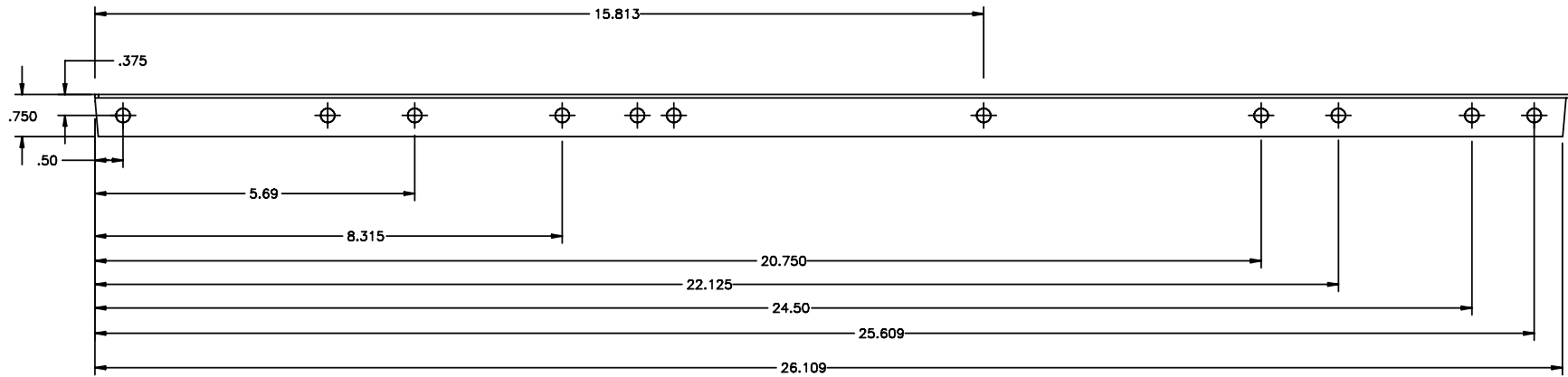
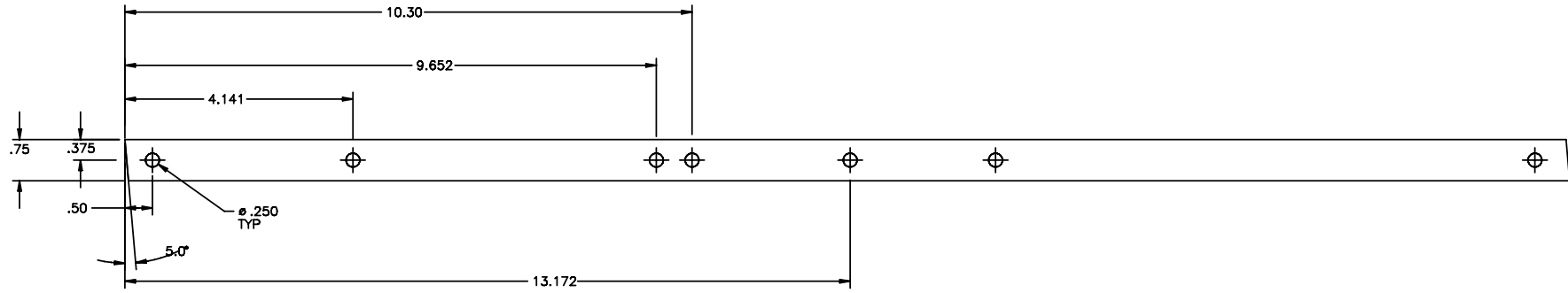
UNLESS OTHERWISE SPECIFIED		ACTIVITY	NAME	DATE	ARSYS LLC TEMECULA, CA MOTION DETECTOR SENSOR MOUNT						
.XXX = ±0.005		DRAWN	RH	3/2003				PROPRIETARY AND CONFIDENTIAL THE INFORMATION CONTAINED HEREIN IS THE SOLE PROPERTY OF ARSYS, LLC AND DISCLOSURE IN ANY FORM OR AS A TRADE SECRET WITHOUT THE WRITTEN PERMISSION OF ARSYS, LLC IS PROHIBITED.	SIZE	DWG NO.	REV
.XX = ±.02		CHECKED	MF	3/2003					C	G1HD-7	
.X = ±.2		APPROVED	MF	3/2003					SCALE	2.000 : 1	SHEET 1 OF 1
MATERIAL	FINISH	DO NOT SCALE THE DRAWING									
5052 ALUM 1/16"											



NOTES:
1. BREAK ALL CORNERS.

UNLESS OTHERWISE SPECIFIED		ACTIVITY	NAME	DATE	<p style="text-align: center;">ARSYS LLC TEMECULA, CA</p>		
.XXX = ±0.005 .XX = ±.02 .X = ±.2 ANGULAR = ±0.25°		DRAWN	RH	3/2003			
		CHECKED	MF	3/2003			
		APPROVED	MF	3/2003			
MATERIAL	FINISH	PROPRIETARY AND CONFIDENTIAL THE INFORMATION CONTAINED IN THIS DRAWING IS THE SOLE PROPERTY OF ARSYS LLC. ANY REPRODUCTION IN PART OR AS A WHOLE WITHOUT THE WRITTEN PERMISSION OF ARSYS LLC IS PROHIBITED.			TITLE	REFLECTOR BACK PLATE	
6061 ALUM 0.04"					SIZE	B	DWG NO.
		DO NOT SCALE THE DRAWING		SCALE	1.000 : 1	SHEET 1 OF 1	





NOTES:
1. BREAK ALL CORNERS.

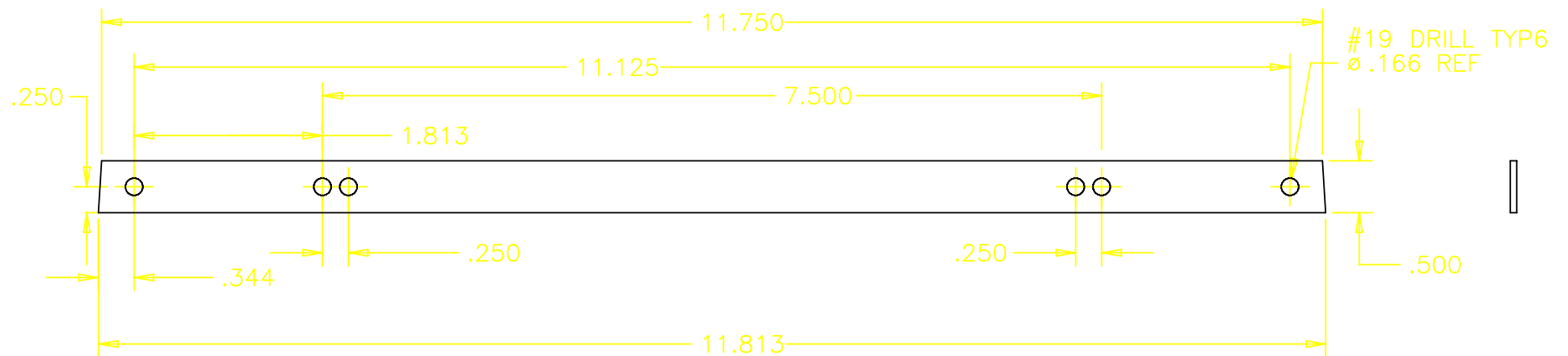
UNLESS OTHERWISE SPECIFIED		ACTIVITY	NAME	DATE
.XXX = ±0.005		DRAWN	RM	3/2003
.XX = ±.02		CHECKED	MF	3/2003
.X = ±.2		APPROVED	MF	3/2003
ANGULAR = ±0.25°				
MATERIAL	FINISH	DESIGNED BY		TITLE
1/18" 8081 ALUM		[Redacted]		RIGHT FRONT LEG
		SIZE	DWG. NO.	REV
		C	G1TS-1	
		DO NOT SCALE THE DRAWING		SHEET 1 OF 1

ARSYS LLC
TEMECULA, CA

RIGHT FRONT LEG

SIZE C DWG. NO. G1TS-1 REV

DO NOT SCALE THE DRAWING 1,000 : 1 SHEET 1 OF 1



NOTES:
1. BREAK ALL CORNERS.

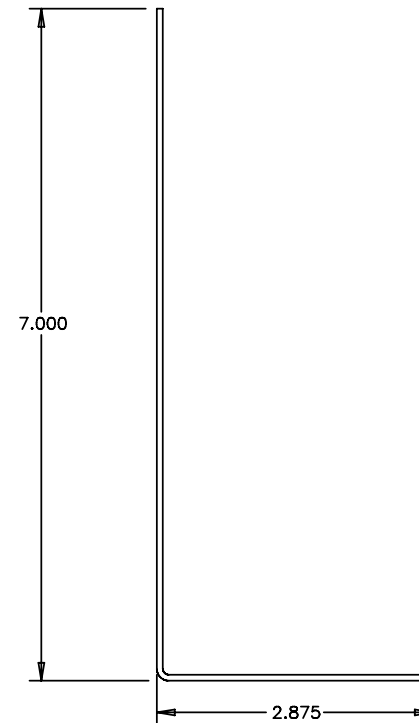
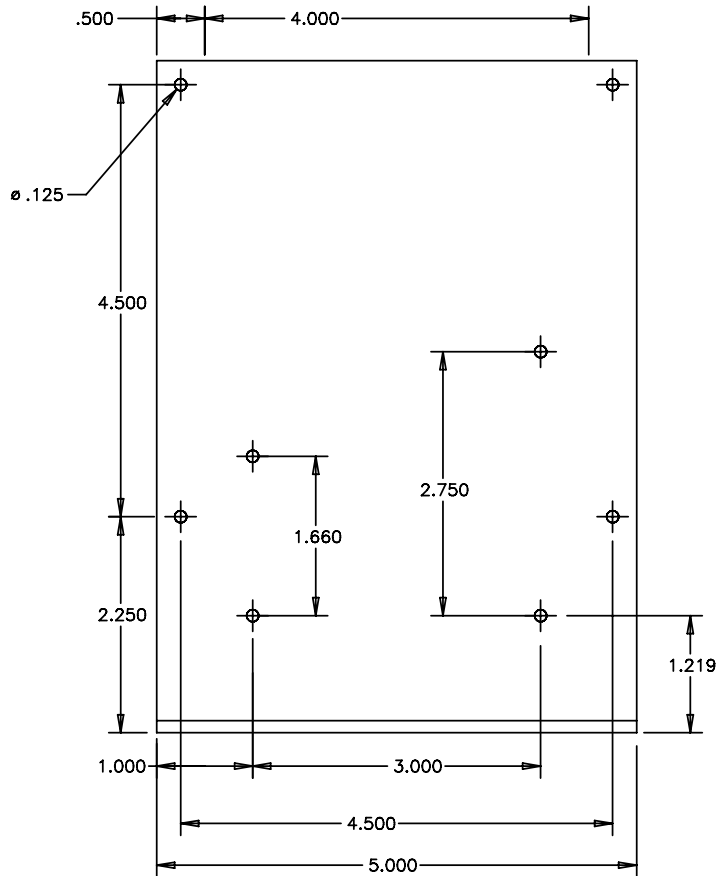
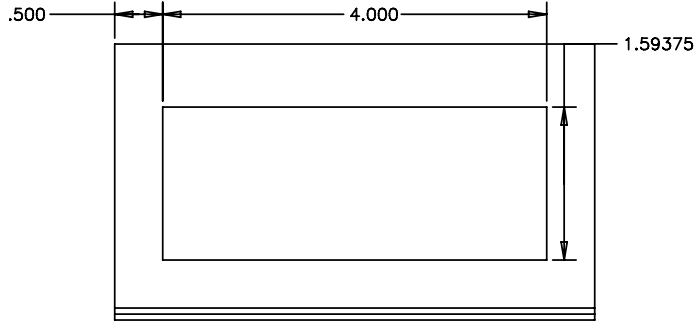
UNLESS OTHERWISE SPECIFIED		ACTIVITY	NAME	DATE	<p>ARSYS LLC TEMECULA, CA</p>		
.XXX = ± 0.005		DRAWN	RH	3/2003			
.XX = ± 0.02		CHECKED	MF	3/2003			
.X = ± 0.2		APPROVED	MF	3/2003			
ANGULAR = $\pm 0.25^\circ$					TITLE		
MATERIAL	FINISH	<p>PROPRIETARY AND CONFIDENTIAL THE INFORMATION CONTAINED IN THIS DRAWING IS THE SOLE PROPERTY OF ARSYS LLC. ANY REPRODUCTION IN PART OR AS A WHOLE WITHOUT THE WRITTEN PERMISSION OF ARSYS LLC IS PROHIBITED.</p>			BOTOM STRUT		
6061 ALUM 1/16"					SIZE	B	DWG NO.
		DO NOT SCALE THE DRAWING			SCALE	1.000 : 1	SHEET 1 OF 1

4

3

2

1



NOTES:
1. BREAK ALL CORNERS.

UNLESS OTHERWISE SPECIFIED		ACTIVITY	NAME	DATE	<p>ARSYS LLC TEMECULA, CA</p>	
.XXX = ±0.005		DRAWN	RH	3/2003		
.XX = ±.02		CHECKED	MF	3/2003		
.X = ±.2		APPROVED	MF	3/2003		
ANGULAR = ±0.25°					<p>TITLE DISK DRIVE BRACKET</p>	
MATERIAL	FINISH	<p>PROPRIETARY AND CONFIDENTIAL THE INFORMATION CONTAINED HEREIN IS THE PROPERTY OF ARSYS, LLC AND IS NOT TO BE DISCLOSED OR REPRODUCED IN ANY MANNER WITHOUT THE WRITTEN CONSENT OF ARSYS, LLC OR ITS AFFILIATES.</p>				
5052 ALUM 3/32" BLUE B. ANODIZED					DWG NO.	REV
					G1TS-12D	
		DO NOT SCALE THE DRAWING			SCALE	SHEET 1 OF 1
					1,000 : 1	

4

3

2

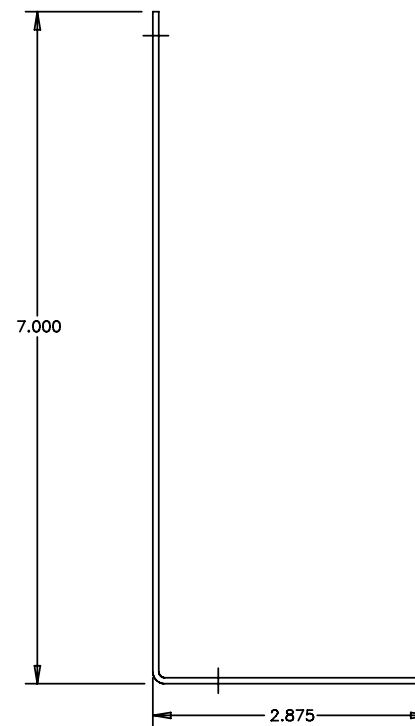
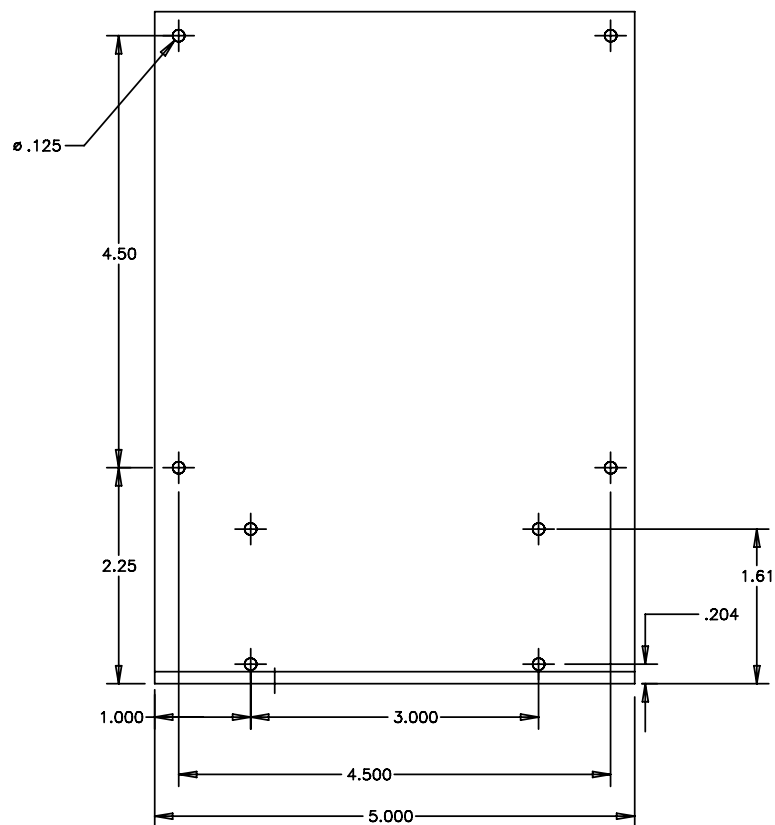
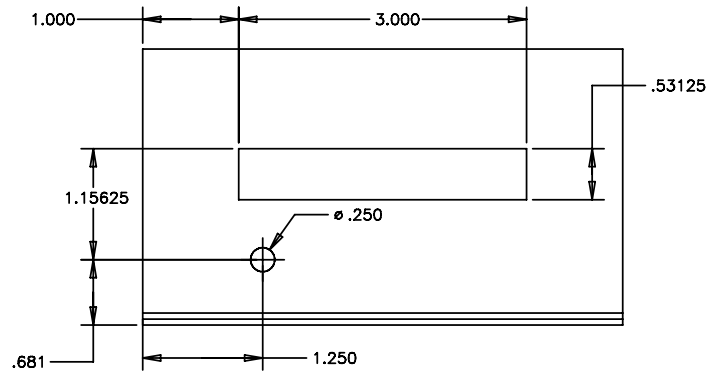
1

4

3

2

1



NOTES:
1. BREAK ALL CORNERS.

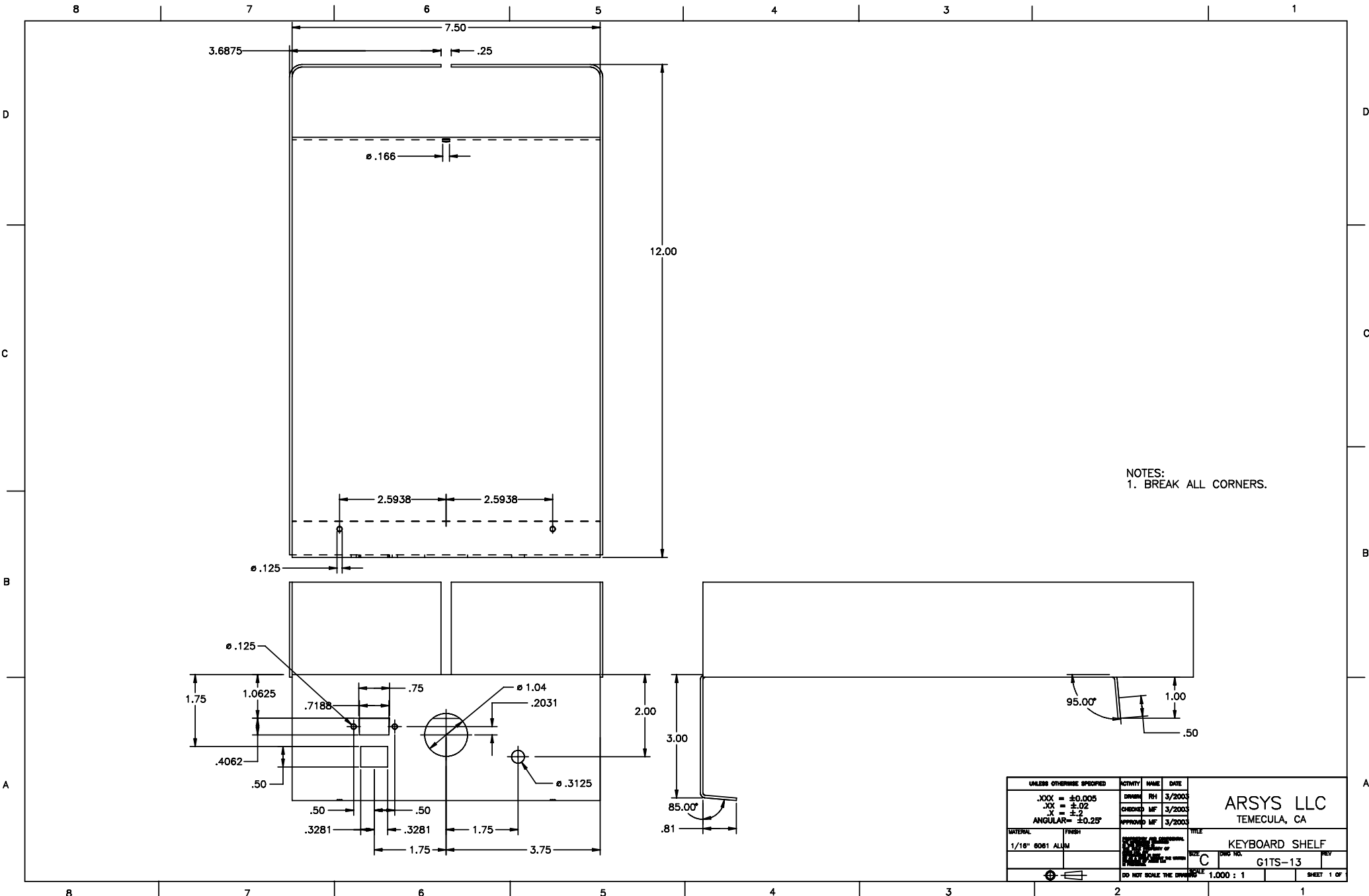
UNLESS OTHERWISE SPECIFIED		ACTIVITY	NAME	DATE	<p style="text-align: center;">ARSYS LLC TEMECULA, CA</p>		
.XXX = ±0.005		DRAWN	RH	3/2003			
.XX = ±.02		CHECKED	MF	3/2003			
.X = ±.2		APPROVED	MF	3/2003			
ANGULAR = ±0.25°					TITLE		
MATERIAL	FINISH	<small>PROPRIETARY AND CONFIDENTIAL THE INFORMATION CONTAINED HEREIN IS THE PROPERTY OF ARSYS, LLC, AND REPRODUCTION IN ANY FORM OR BY ANY MEANS WITHOUT THE WRITTEN PERMISSION OF ARSYS, LLC IS PROHIBITED.</small>			WAFER DRIVE BRACKET		
5052 ALUM 3/32"	BLUE B. ANODIZED				SIZE	DWG NO.	REV
		DO NOT SCALE THE DRAWING			SCALE	1,000 : 1	SHEET 1 OF 1

4

3

2

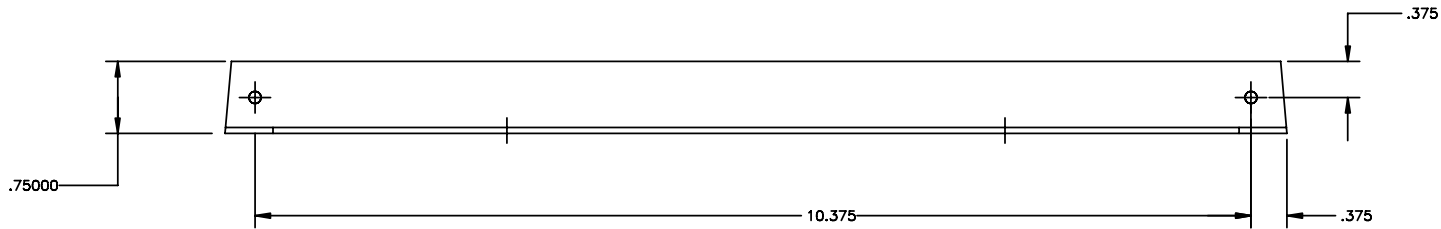
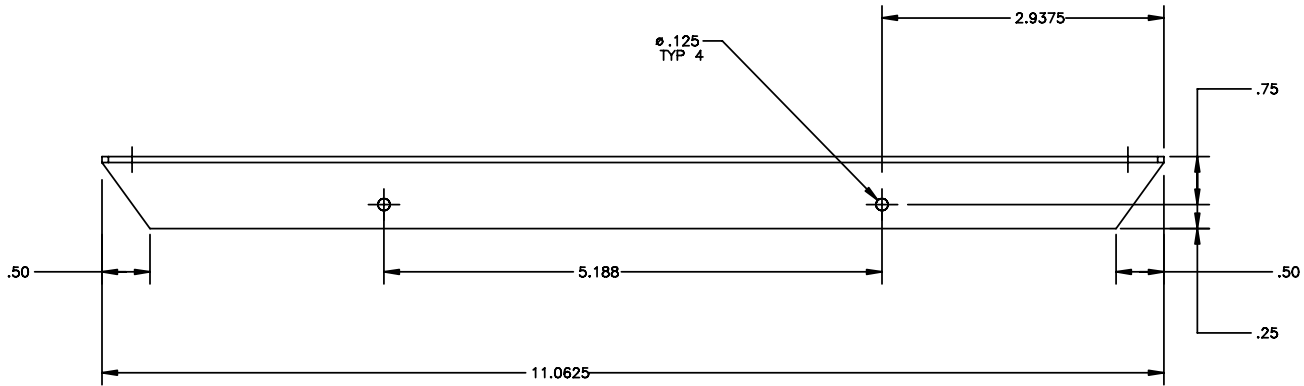
1



NOTES:
1. BREAK ALL CORNERS.

UNLESS OTHERWISE SPECIFIED		ACTIVITY	NAME	DATE
.XXX = ±0.005		DRAWN	RM	3/2003
.XX = ±.02		CHECKED	MF	3/2003
.X = ±.2		APPROVED	MF	3/2003
ANGULAR = ±0.25°				

MATERIAL		FINISH		TITLE	
1/16" 8081 ALUM		[REDACTED]		KEYBOARD SHELF	
SIZE		DWS NO.		REV	
C		G1TS-13			
DO NOT SCALE THE DRAWING		SCALE		SHEET 1 OF	
1.000 : 1					



NOTES:
1. BREAK ALL SHARP CORNERS

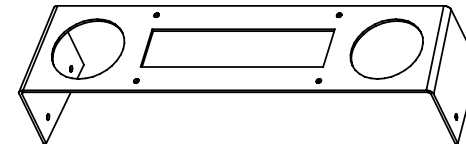
UNLESS OTHERWISE SPECIFIED		ACTIVITY	NAME	DATE	<p style="text-align: center;">ARSYS LLC TEMECULA, CA</p>		
.XXX = ±0.005		DRAWN	RH	3/2003			
.XX = ±.02		CHECKED	MF	3/2003			
.X = ±.2		APPROVED	MF	3/2003			
ANGULAR = ±0.25°					<p style="text-align: center;">REAR KEYBOARD SUPPORT BRACKET</p>		
MATERIAL	FINISH	<p style="font-size: small;">PROPRIETARY AND CONFIDENTIAL THE INFORMATION CONTAINED HEREIN IS THE PROPERTY OF ARSYS, LLC AND REPRODUCTION IN ANY FORM OR BY ANY MEANS WITHOUT THE WRITTEN PERMISSION OF ARSYS LLC IS PROHIBITED.</p>					
5052 ALUM 1/16"	BLUE B ANODIZED				C	G1TS-14	
DO NOT SCALE THE DRAWING					SCALE	1,000 : 1	SHEET 1 OF 1

4

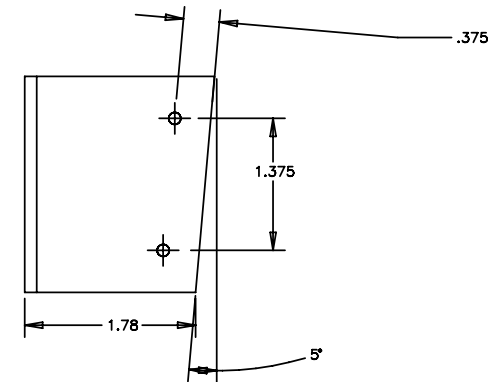
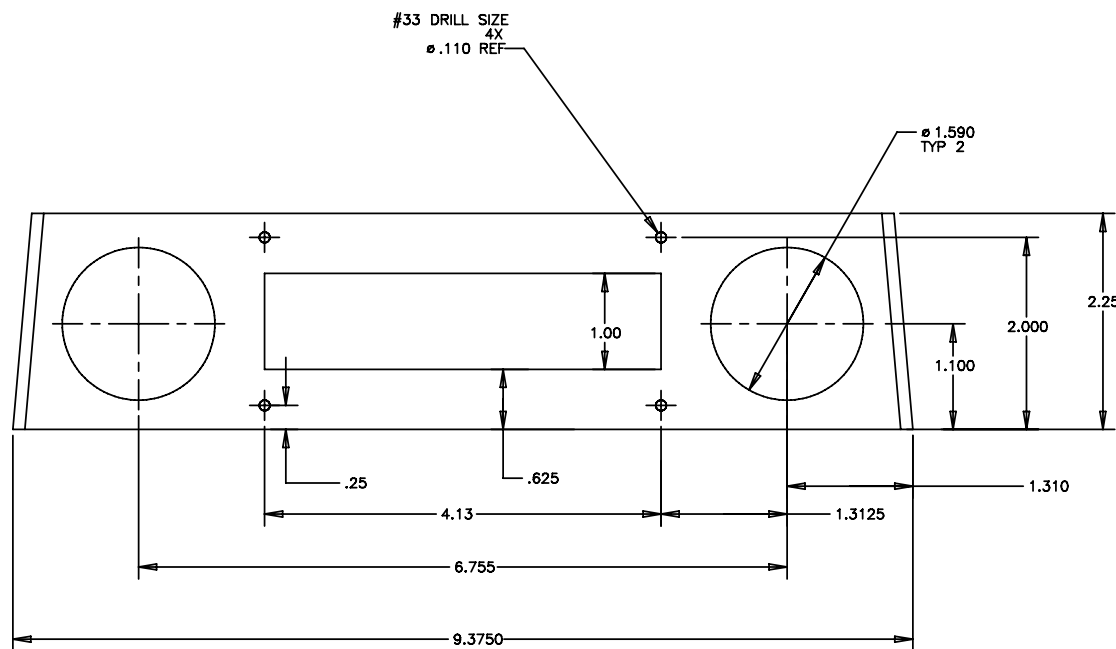
3

2

1

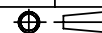


SCALE 0.500



NOTES:
1. BREAK ALL CORNERS.

UNLESS OTHERWISE SPECIFIED		ACTIVITY	NAME	DATE	ARSYS LLC TEMECULA, CA UPPER SONARS LIFE LIGHTS					
.XXX = ±0.005		DRAWN	RH	3/2003				SIZE C	DWG NO. G1TS-15A	REV
.XX = ±.02		CHECKED	MF	3/2003						
.X = ±.2		APPROVED	MF	3/2003				SCALE 1.000 : 1		
ANGULAR = ±0.25°					SHEET 1 OF 1					
MATERIAL	FINISH	PROPRIETARY AND CONFIDENTIAL THE INFORMATION CONTAINED HEREIN IS THE PROPERTY OF ARSYS, LLC AND DISCLOSURE IN ANY FORM OR AS A TRADE SECRET WITHOUT THE WRITTEN PERMISSION OF ARSYS LLC IS PROHIBITED.			TITLE UPPER SONARS LIFE LIGHTS					
5052 ALUM 1/16"	BLUE B ANODIZED									



4

3

2

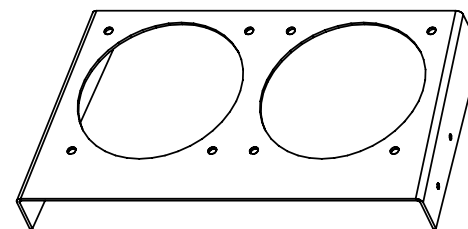
1

4

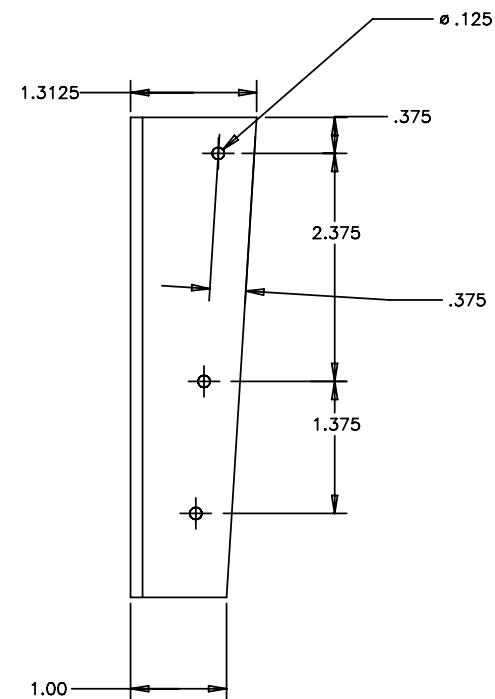
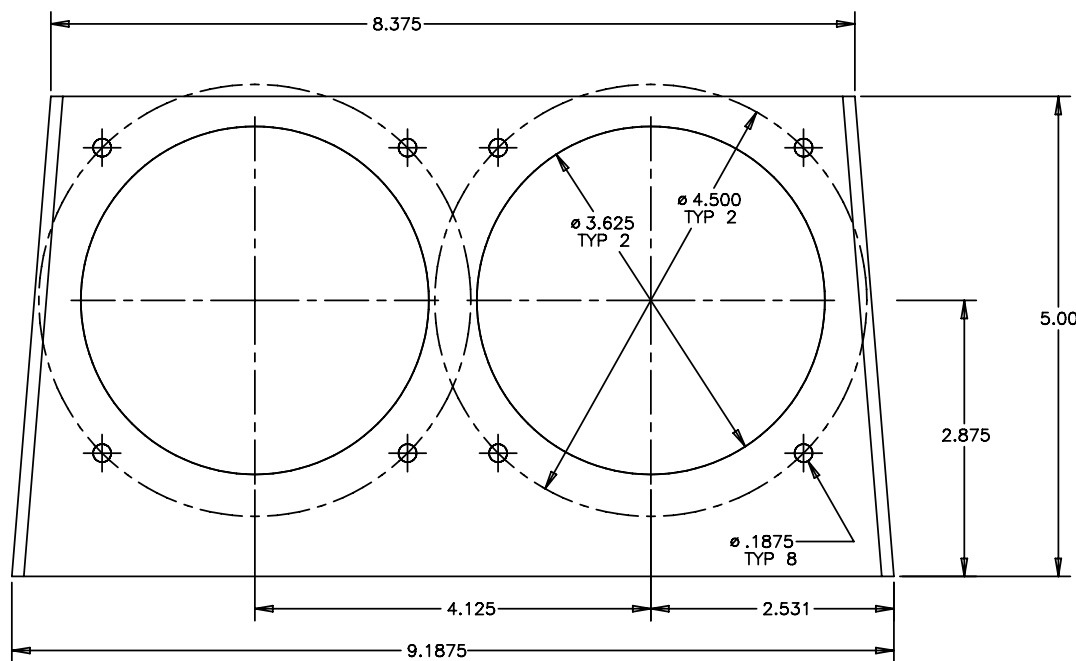
3

2

1



SCALE 0.500



NOTES:
1. BREAK ALL CORNERS.

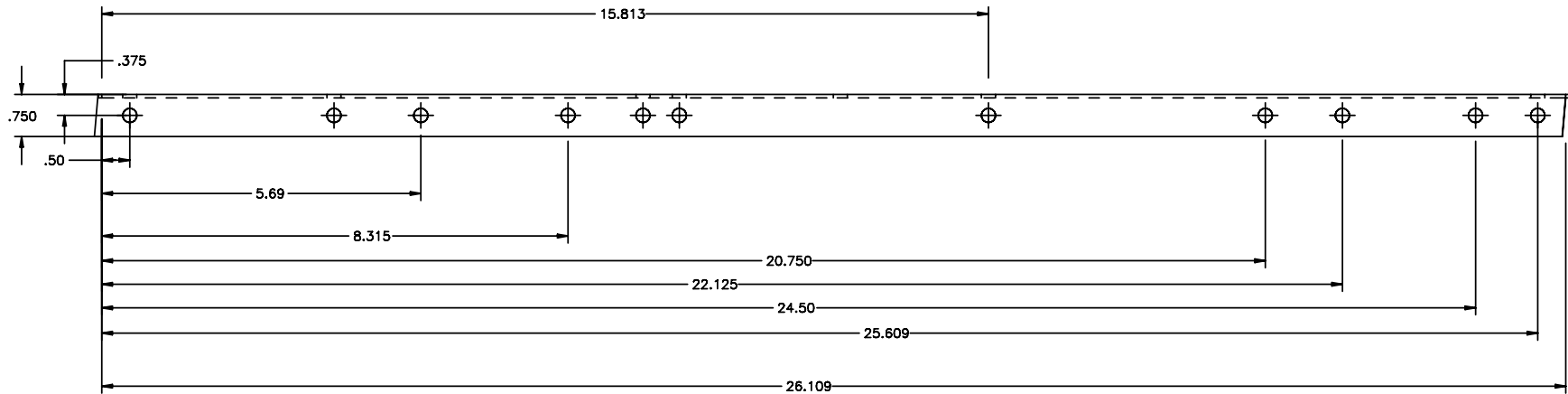
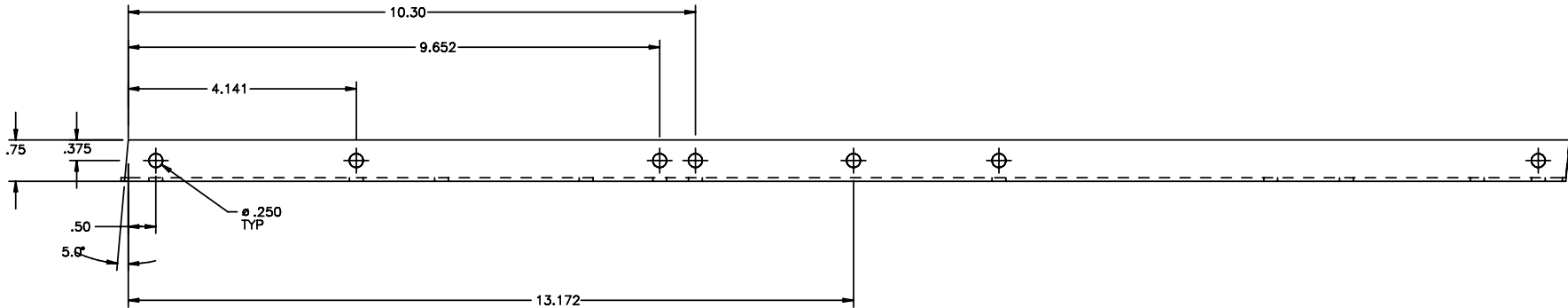
UNLESS OTHERWISE SPECIFIED		ACTIVITY	NAME	DATE	ARSYS LLC TEMECULA, CA		
.XXX = ±0.005		DRAWN	RH	3/2003			
.XX = ±.02		CHECKED	MF	3/2003			
X = ±.2		APPROVED	MF	3/2003			
ANGULAR = ±0.25°							
MATERIAL	FINISH	PROPRIETARY AND CONFIDENTIAL THE INFORMATION CONTAINED HEREIN IS THE PROPERTY OF ARSYS LLC AND SHALL REMAIN THE PROPERTY OF ARSYS LLC UNLESS OTHERWISE STATED IN WRITING BY ARSYS LLC. WITHOUT THE WRITTEN PERMISSION OF ARSYS LLC, REPRODUCTION OR TRANSMISSION IS PROHIBITED.			TITLE		
5052 ALUM 1/16"					SPEAKER BRACKET		
		SIZE	DWG NO.	REV			
		C	G1TS-15B				
		DO NOT SCALE THE DRAWING			SCALE	1.000 : 1	
					SHEET		1 OF 1

4

3

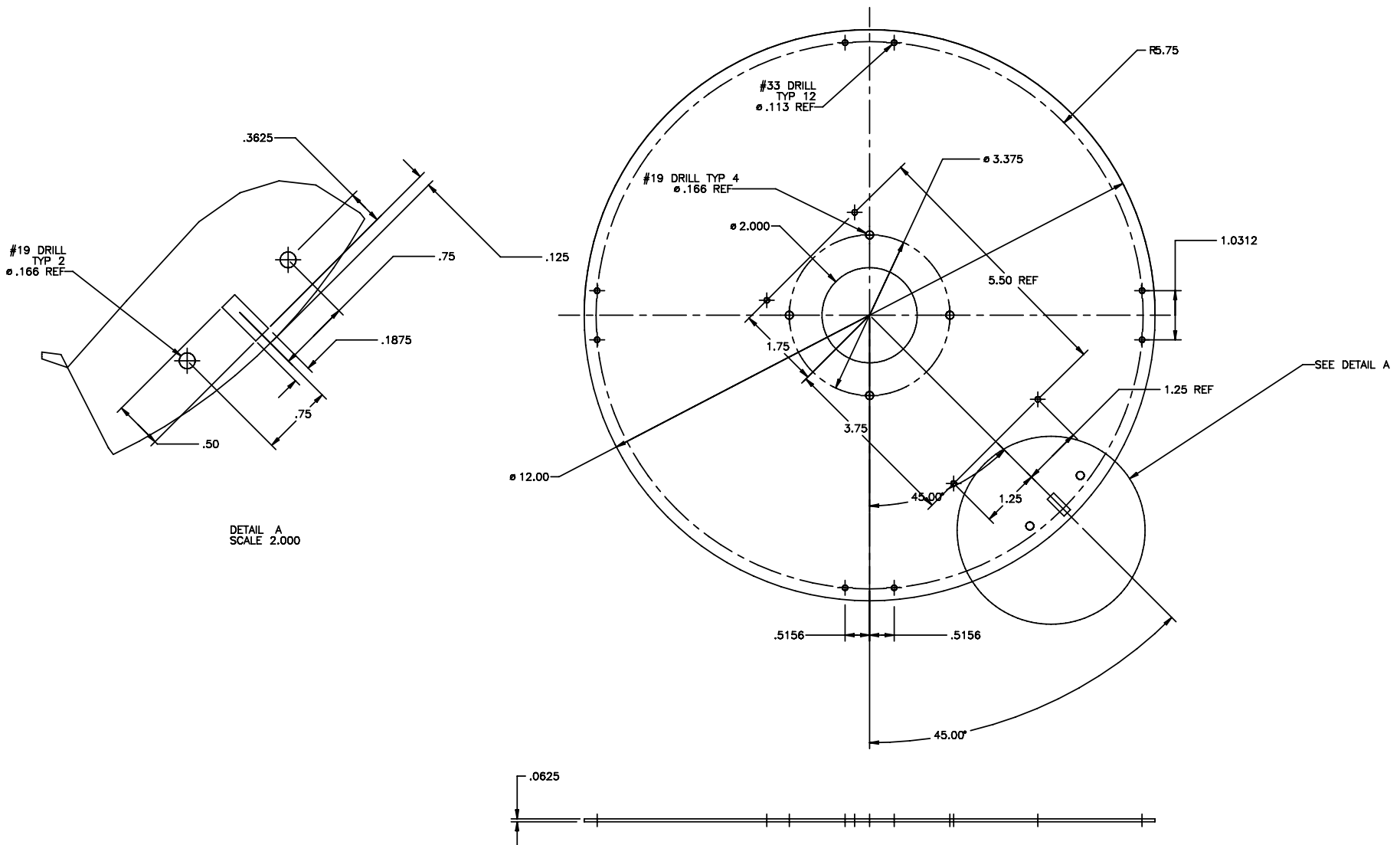
2

1



NOTES:
1. BREAK ALL CORNERS.

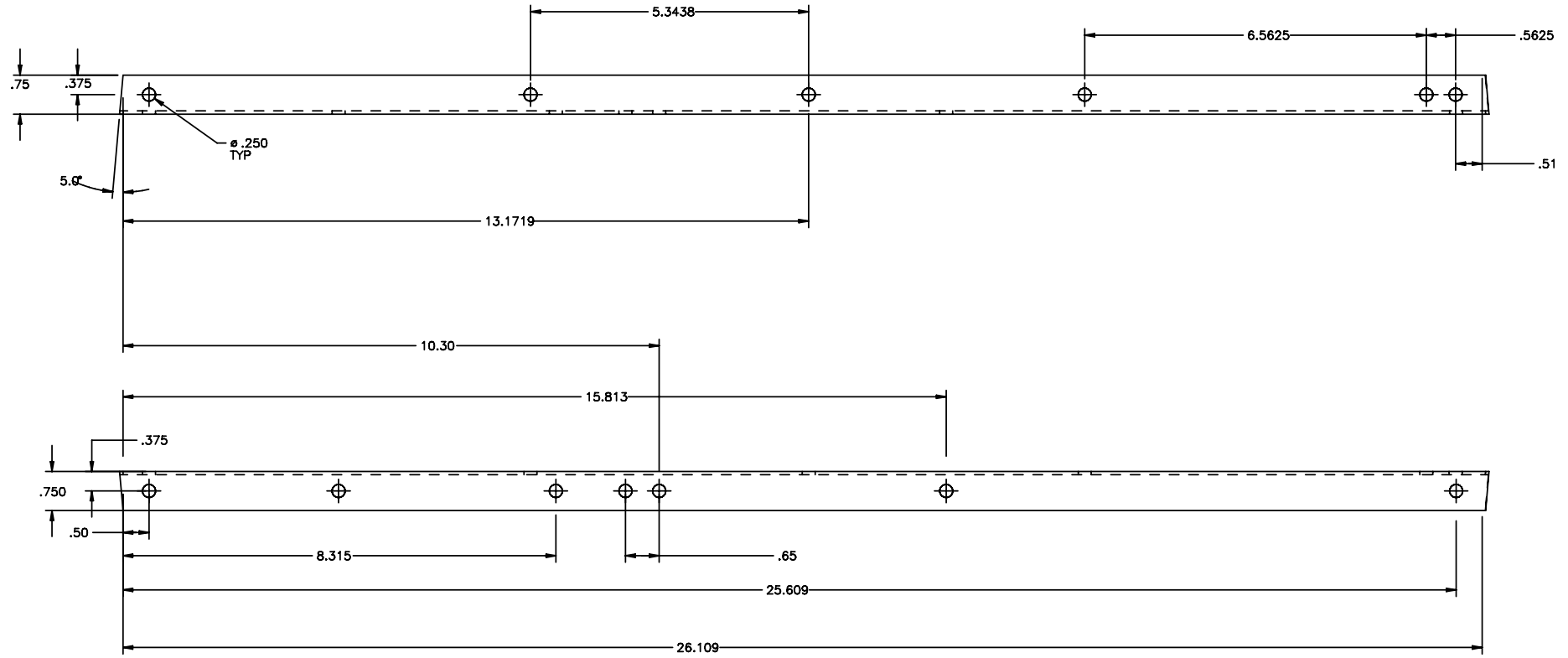
UNLESS OTHERWISE SPECIFIED		ACTIVITY	NAME	DATE
.XXX = ±0.005		DRAWN	RM	3/2003
.XX = ±.02		CHECKED	MF	3/2003
.X = ±.2		APPROVED	MF	3/2003
ANGULAR = ±0.25°				
MATERIAL	FINISH	DESIGNED BY		TITLE
1/18" 8081 ALUM		[Redacted]		LEFT FRONT LEG
		SIZE	DWG. NO.	REV
		C	G1TS-2	
		DO NOT SCALE THE DRAWING		SHEET 1 OF
		SCALE	1,000 : 1	



NOTES:
 1. BREAK ALL CORNERS.
 2. TOLERANCE OF ALL LINEAR DIMENSIONS $\pm 1/64$.

UNLESS OTHERWISE SPECIFIED	ACTIVITY	NAME	DATE
.XXX = ± 0.005	DRAWN	RH	3/2003
.XX = ± 0.02	CHECKED	MF	3/2003
.X = ± 0.2	APPROVED	MF	3/2003
ANGULAR = $\pm 0.25^\circ$			

6061 ALUM	<small>DESIGNED BY: RICHARD H. ...</small> <small>DRAWN BY: RICHARD H. ...</small> <small>CHECKED BY: M. ...</small> <small>APPROVED BY: M. ...</small>	ARSYS LLC SHOULDER PLATE C G1TS-23
DO NOT SCALE THE DRAWING		1.000 : 1



NOTES:
1. BREAK ALL CORNERS.

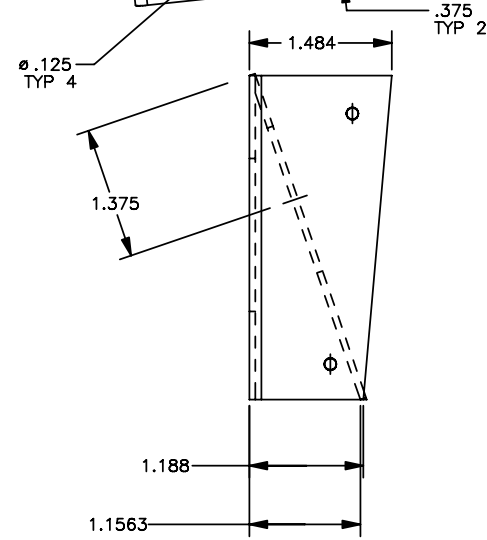
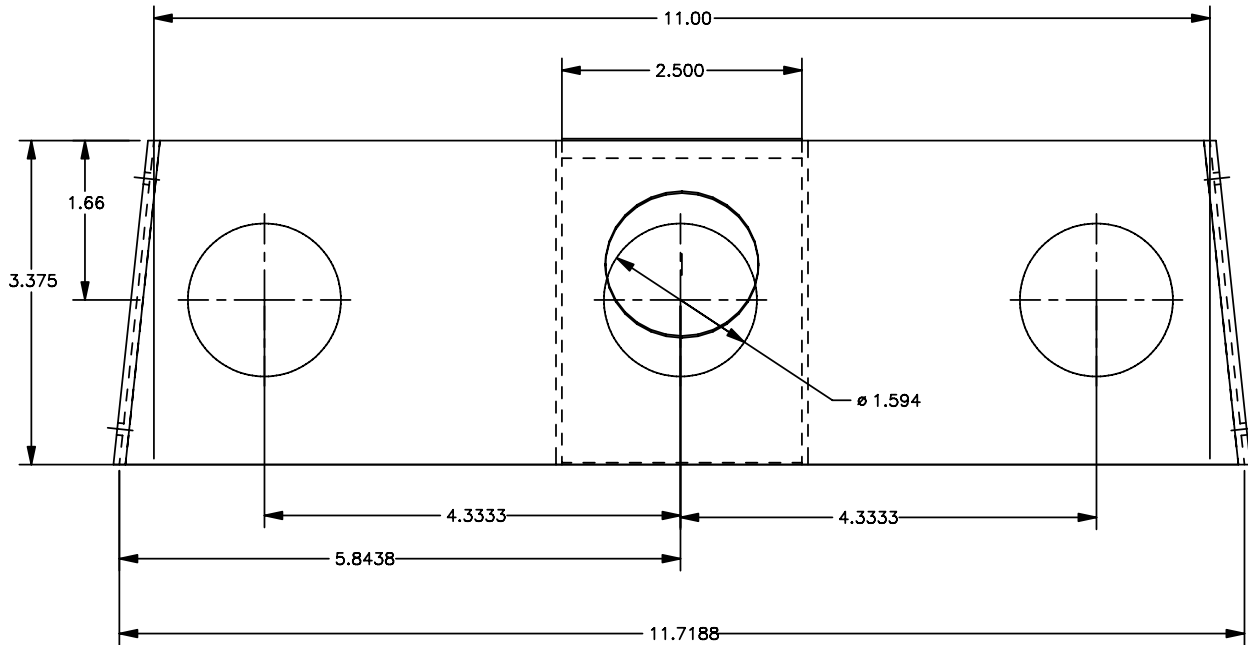
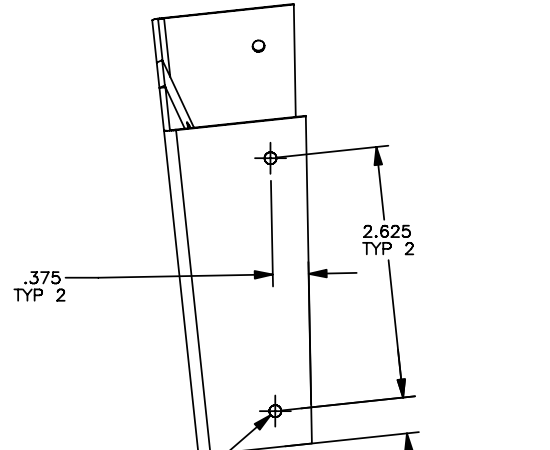
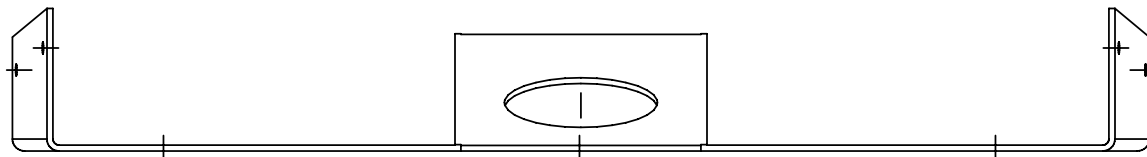
UNLESS OTHERWISE SPECIFIED		ACTIVITY	NAME	DATE
.XXX = ±0.005		DRAWN	RH	3/2003
.XX = ±.02		CHECKED	MF	3/2003
.X = ±.2		APPROVED	MF	3/2003
ANGULAR = ±0.25°				
MATERIAL	FINISH	DESIGNED BY		TITLE
1/18" 8081 ALUM		[Redacted]		RIGHT REAR LEG
		SIZE	DWG. NO.	REV
		C	G1TS-3	
DO NOT SCALE THE DRAWING		SCALE	SHEET 1 OF	
		1,000 : 1		

4

3

2

1



NOTES:
1. BREAK ALL SHARP CORNERS

UNLESS OTHERWISE SPECIFIED		ACTIVITY	NAME	DATE	ARSYS LLC TEMECULA, CA		
.XXX = ±0.005		DRAWN	RH	3/2003			
.XX = ±.02		CHECKED	MF	3/2003			
.X = ±.2		APPROVED	MF	3/2003			
ANGULAR = ±0.25°							
MATERIAL	FINISH	<small>PROPRIETARY AND CONFIDENTIAL THE INFORMATION CONTAINED HEREIN IS THE PROPERTY OF ARSYS LLC AND IS TO BE USED ONLY FOR THE PURPOSES SPECIFIED IN THIS DRAWING. REPRODUCTION OR TRANSMISSION IN ANY FORM OR BY ANY MEANS WITHOUT THE WRITTEN PERMISSION OF ARSYS LLC IS PROHIBITED.</small>			TITLE		
5052 ALUM 1/8"	BLUE B ANODIZED				LOWER SONARS MOUNT		
		SIZE	C	DWG NO.	G1TS-36	REV	
		DO NOT SCALE THE DRAWING			SCALE	1,000 : 1	SHEET 1 OF 1

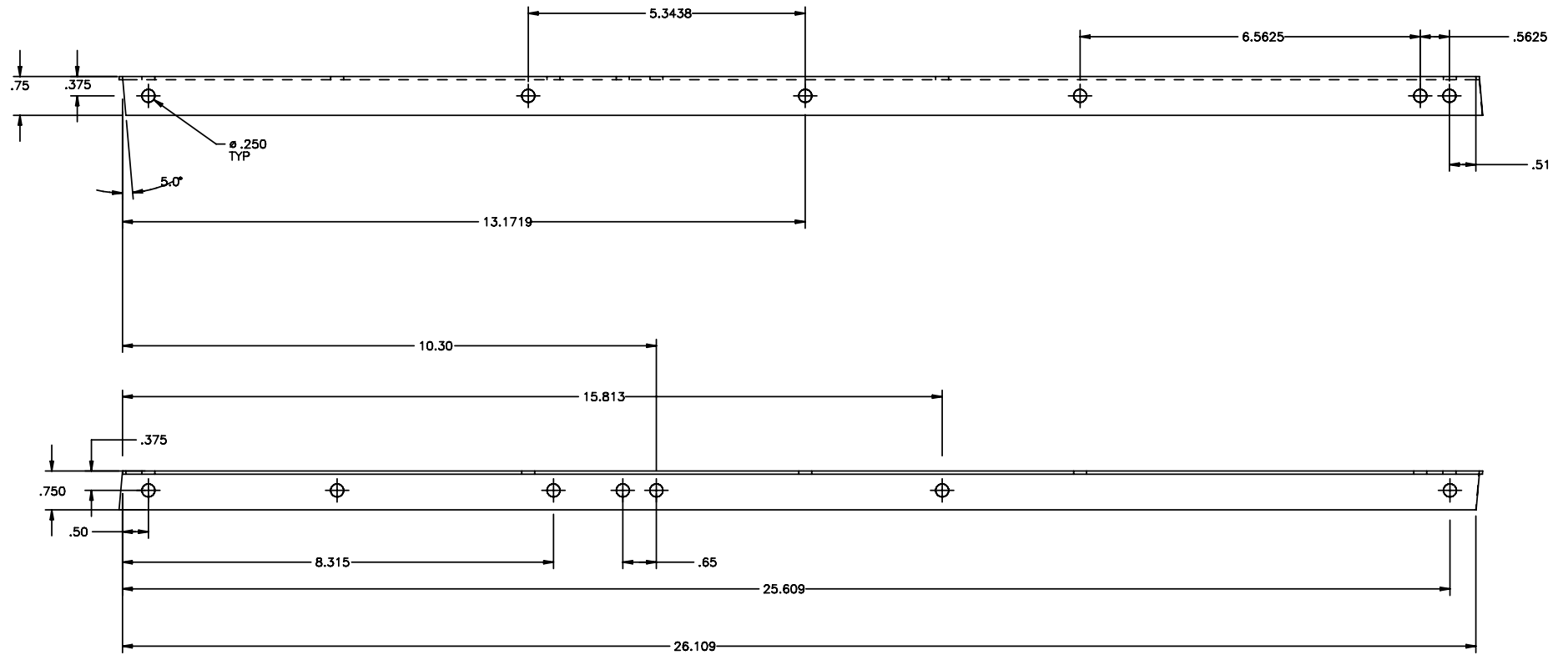
4

3

2

1

8 7 6 5 4 3 1

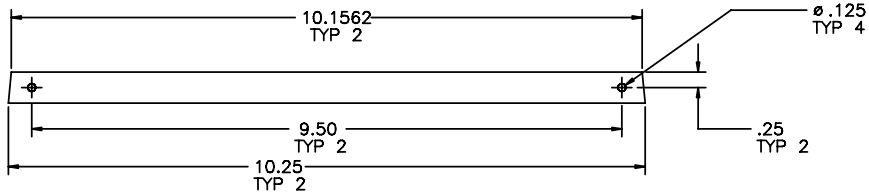
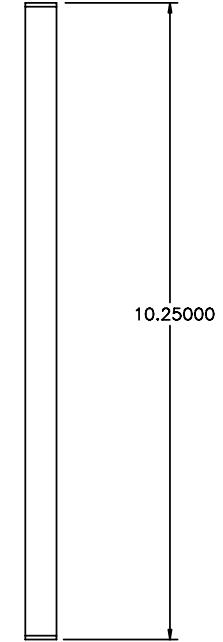
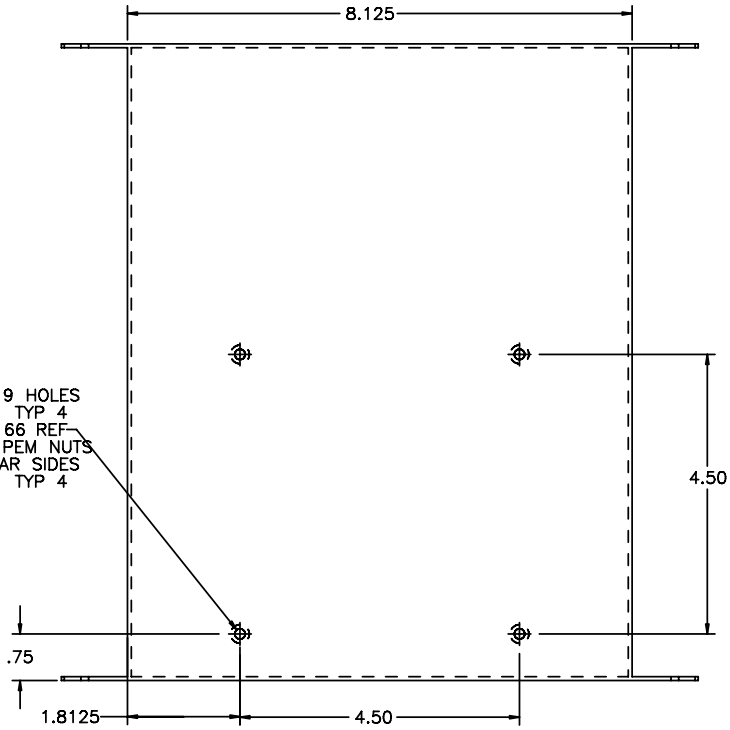


NOTES:
1. BREAK ALL CORNERS.

UNLESS OTHERWISE SPECIFIED		ACTIVITY	NAME	DATE
.XXX	= ±0.005	DRAWN	RH	3/2003
.XX	= ±.02	CHECKED	MF	3/2003
.X	= ±.2	APPROVED	MF	3/2003
ANGULAR	= ±0.25°			
MATERIAL	FINISH	TITLE		
1/18" 8081 ALUM		LEFT REAR LEG		
		SIZE	DWG. NO.	REV.
		C	GITS-4	
DO NOT SCALE THE DRAWING		SCALE	1,000 : 1	SHEET 1 OF

8 7 6 5 4 3 2 1

DRILL #19 HOLES
TYP 4
Ø .166 REF
#4-40 PEM NUTS
ON REAR SIDES
TYP 4



NOTES:
1. BREAK ALL CORNERS.

UNLESS OTHERWISE SPECIFIED		ACTIVITY	NAME	DATE
.XXX	= ±0.005	DRAWN	RH	3/2003
.XX	= ±.02	CHECKED	MF	3/2003
.X	= ±.2	APPROVED	MF	3/2003
ANGULAR	= ±0.25°			

MATERIAL		FINISH		TITLE	
5052 1/16 ALUM				DISK DRIVE SHELF	
SIZE		C		DRG NO. G1TS-41	
SCALE		1,000 : 1		SHEET 1 OF 1	

ARSYS LLC
TEMECULA, CA

DISK DRIVE SHELF

G1TS-41

SIZE C

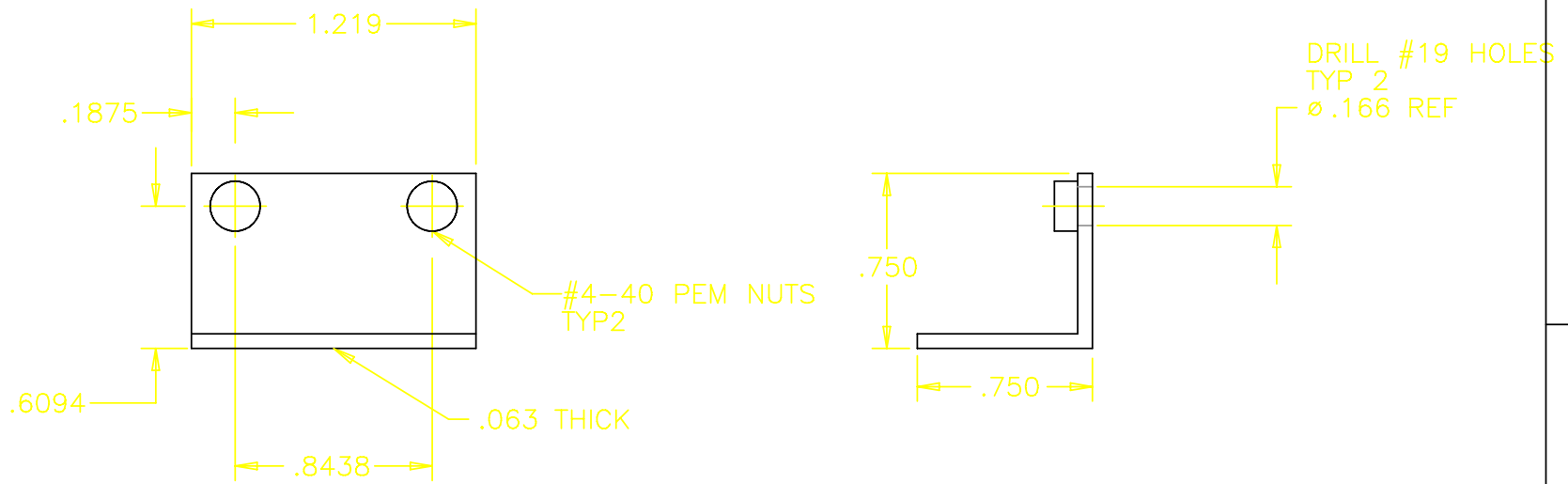
DRG NO.

G1TS-41

SCALE

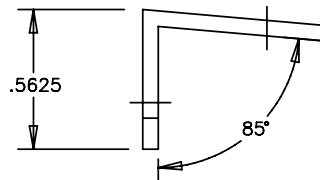
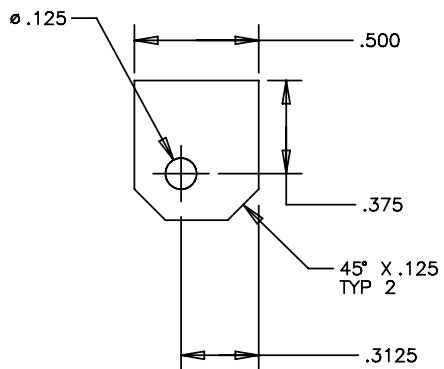
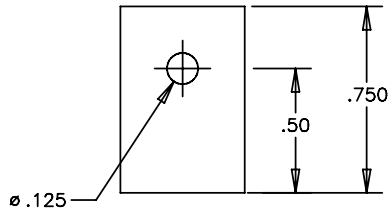
1,000 : 1

SHEET 1 OF 1



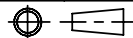
NOTES:
1. BREAK ALL CORNERS.

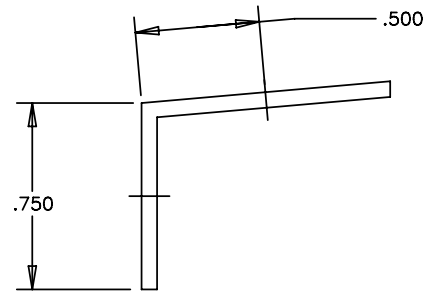
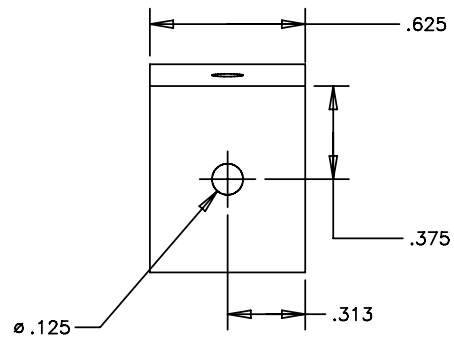
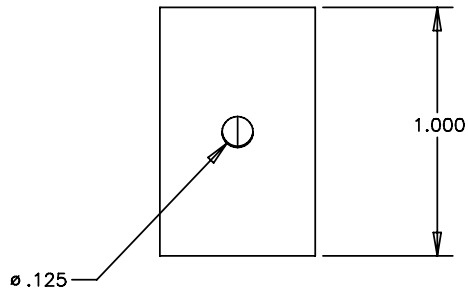
UNLESS OTHERWISE SPECIFIED		ACTIVITY	NAME	DATE	<p style="text-align: center;">ARSYS LLC TEMECULA, CA</p>			
.XXX = ±0.005 .XX = ±.02 .X = ±.2 ANGULAR = ±0.25°		DRAWN	RH	3/2003				
		CHECKED	MF	3/2003				
		APPROVED	MF	3/2003				
MATERIAL	FINISH	PROPRIETARY AND CONFIDENTIAL THE INFORMATION CONTAINED IN THIS DRAWING IS THE SOLE PROPERTY OF ARSYS LLC. ANY REPRODUCTION IN PART OR AS A WHOLE WITHOUT THE WRITTEN PERMISSION OF ARSYS LLC IS PROHIBITED.			TITLE		REV	
3/4X3/4X1/16	ALUM ANGLE				TUMBWHEEL BRACKET		SIZE	DWG NO.
		DO NOT SCALE THE DRAWING			SCALE	2.000 : 1	SHEET	1 OF 1



NOTES:
1. BREAK ALL CORNERS.

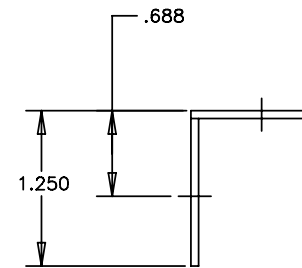
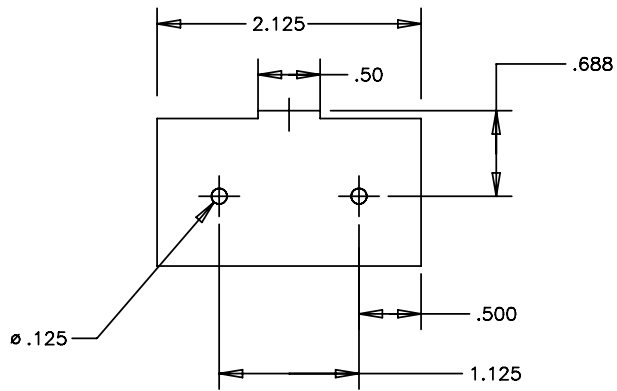
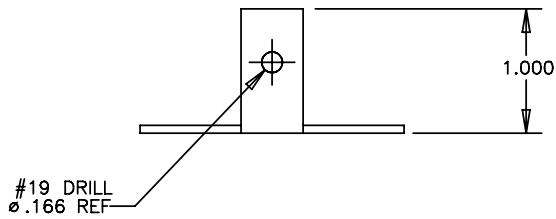
UNLESS OTHERWISE SPECIFIED		ACTIVITY	NAME	DATE	<p style="text-align: center;">ARSYS LLC TEMECULA, CA</p>	
.XXX = ±0.005 .XX = ±.02 .X = ±.2 ANGULAR = ±0.25°		DRAWN	RH	3/2003		
		CHECKED	MF	3/2003		
		APPROVED	MF	3/2003		
MATERIAL	FINISH	PROPRIETARY AND CONFIDENTIAL THE INFORMATION CONTAINED IN THIS DRAWING IS THE SOLE PROPERTY OF ARSYS LLC. ANY REPRODUCTION IN PART OR AS A WHOLE WITHOUT THE WRITTEN PERMISSION OF ARSYS LLC IS PROHIBITED.			TITLE	REV
5051 ALUM 1/16"					UPPER TORSO CLIP	
		SIZE	DWG NO.			
		B	G1TS-5			
		SCALE	2.000 : 1		SHEET 1 OF 1	





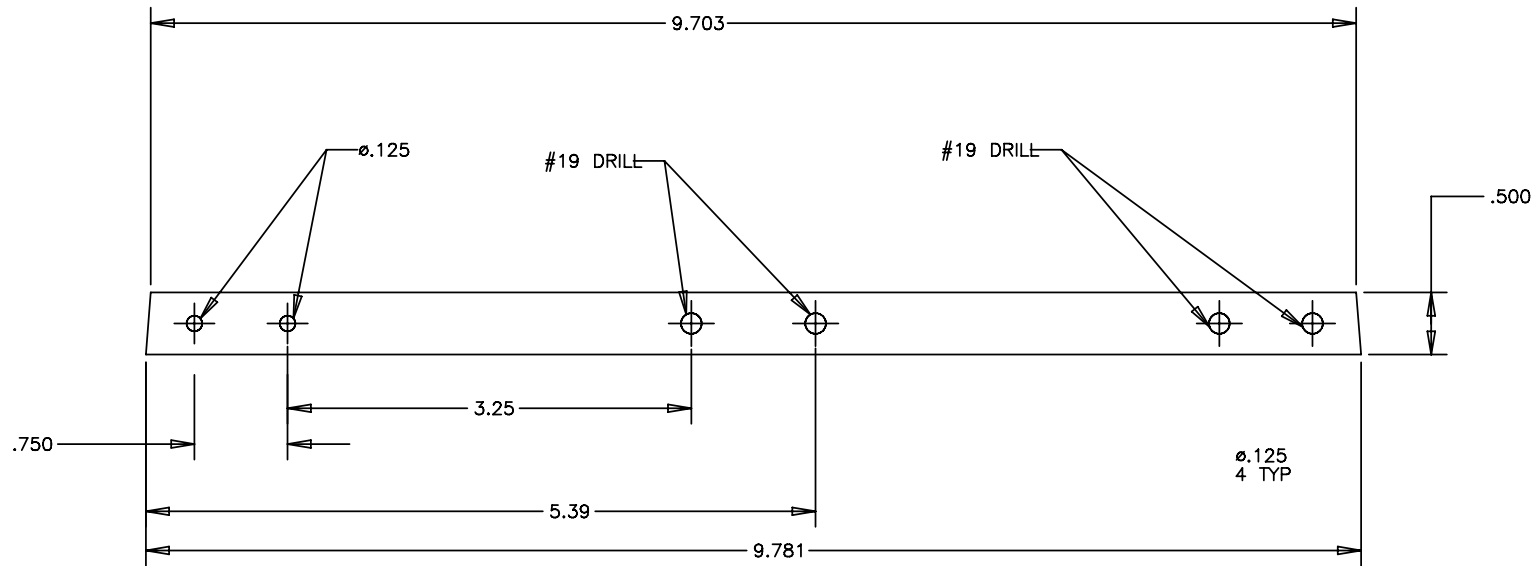
NOTES:
1. BREAK ALL CORNERS.

UNLESS OTHERWISE SPECIFIED		ACTIVITY	NAME	DATE	ARSYS LLC TEMECULA, CA	
.XXX = ± 0.005 .XX = $\pm .02$.X = $\pm .2$ ANGULAR = $\pm 0.25^\circ$		DRAWN	RH	3/2003		
		CHECKED	MF	3/2003		
		APPROVED	MF	3/2003		
MATERIAL	FINISH	PROPRIETARY AND CONFIDENTIAL THE INFORMATION CONTAINED IN THIS DRAWING IS THE SOLE PROPERTY OF ARSYS LLC. ANY REPRODUCTION IN PART OR AS A WHOLE WITHOUT THE WRITTEN PERMISSION OF ARSYS LLC IS PROHIBITED.			TITLE	
5051 ALUM 1/16"					BOTTOM TORSO CLIP	
		SIZE	DWG NO.		REV	
		B	G1TS-6			
		DO NOT SCALE THE DRAWING		SCALE	SHEET 1 OF 1	
		2.000 : 1				



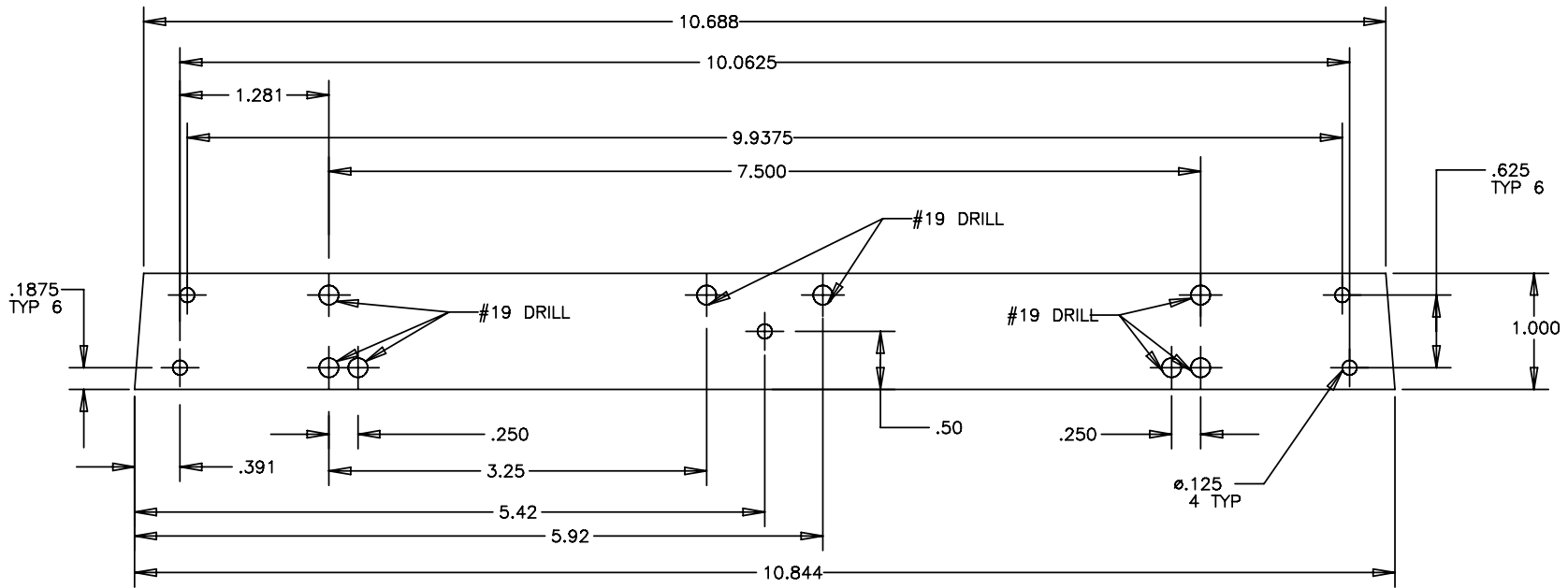
NOTES:
 1. BREAK ALL CORNERS.

UNLESS OTHERWISE SPECIFIED		ACTIVITY	NAME	DATE	<p>ARSYS LLC TEMECULA, CA</p> <p>TITLE TORSO TO SHELL CLIP</p>	
.XXX = ± 0.005		DRAWN	RH	3/2003		
.XX = ± 0.02		CHECKED	MF	3/2003		
.X = $\pm .2$		APPROVED	MF	3/2003		
ANGULAR = $\pm 0.25^\circ$						
MATERIAL	FINISH	PROPRIETARY AND CONFIDENTIAL THE INFORMATION CONTAINED IN THIS DRAWING IS THE SOLE PROPERTY OF ARSYS LLC. ANY REPRODUCTION IN PART OR AS A WHOLE WITHOUT THE WRITTEN PERMISSION OF ARSYS LLC IS PROHIBITED.			DWG NO.	
5051 ALUM 1/16"					SIZE	B
		DO NOT SCALE THE DRAWING			SCALE	1.000 : 1
						SHEET 1 OF 1



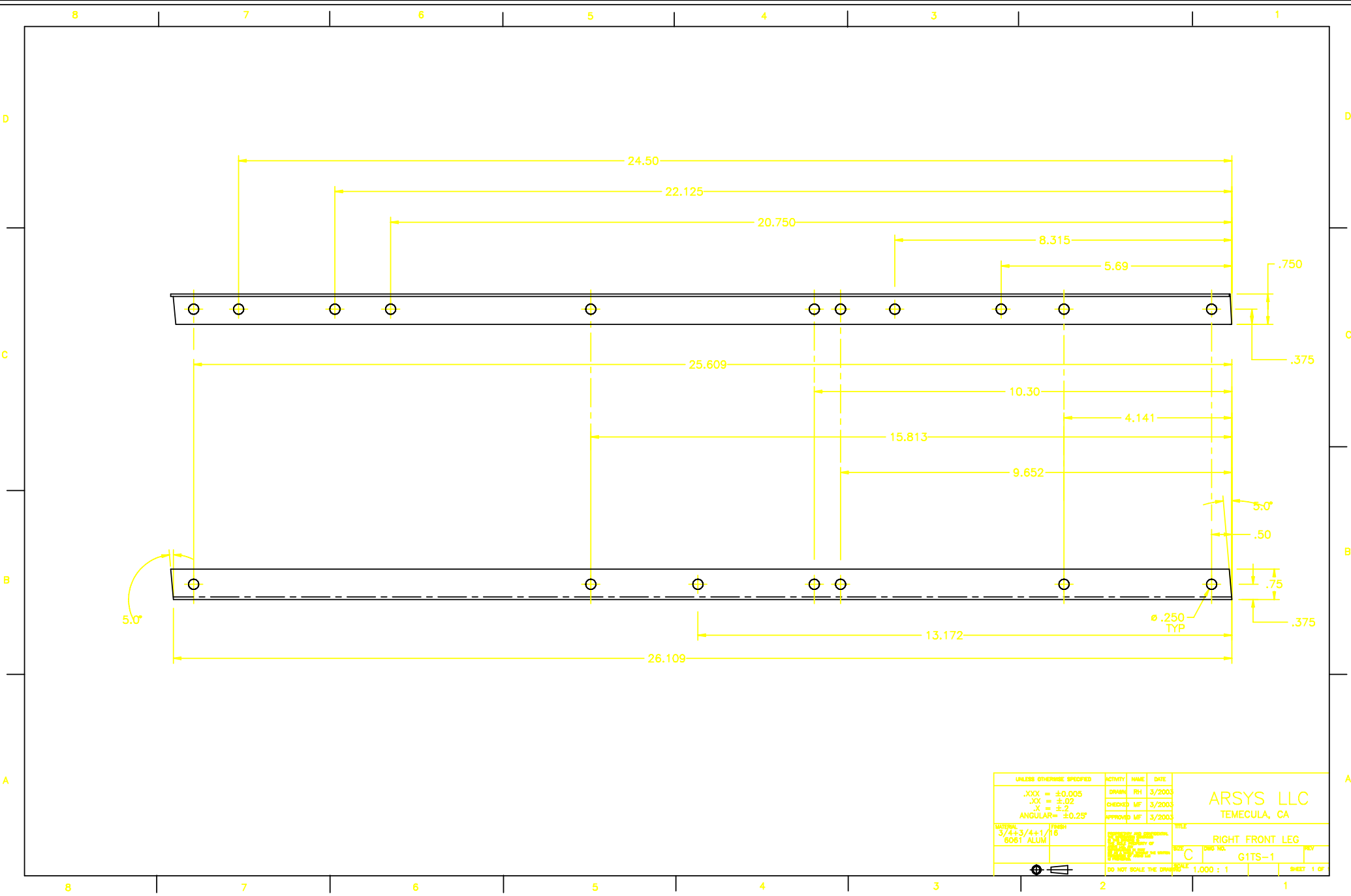
NOTES:
1. BREAK ALL CORNERS.

UNLESS OTHERWISE SPECIFIED		ACTIVITY	NAME	DATE	<p>ARSYS LLC TEMECULA, CA</p>		
.XXX = ±0.005		DRAWN	RH	3/2003			
.XX = ±.02		CHECKED	MF	3/2003			
.X = ±.2		APPROVED	MF	3/2003			
ANGULAR= ±0.25°					TITLE		
MATERIAL	FINISH	<p>PROPRIETARY AND CONFIDENTIAL THE INFORMATION CONTAINED IN THIS DRAWING IS THE SOLE PROPERTY OF ARSYS LLC. ANY REPRODUCTION IN PART OR AS A WHOLE WITHOUT THE WRITTEN PERMISSION OF ARSYS LLC IS PROHIBITED.</p>			TOP STRUT		
6061 ALUM 1/16"					SIZE	B	DWG NO.
		DO NOT SCALE THE DRAWING			SCALE	1.000 : 1	SHEET 1 OF 1



NOTES:
1. BREAK ALL CORNERS.

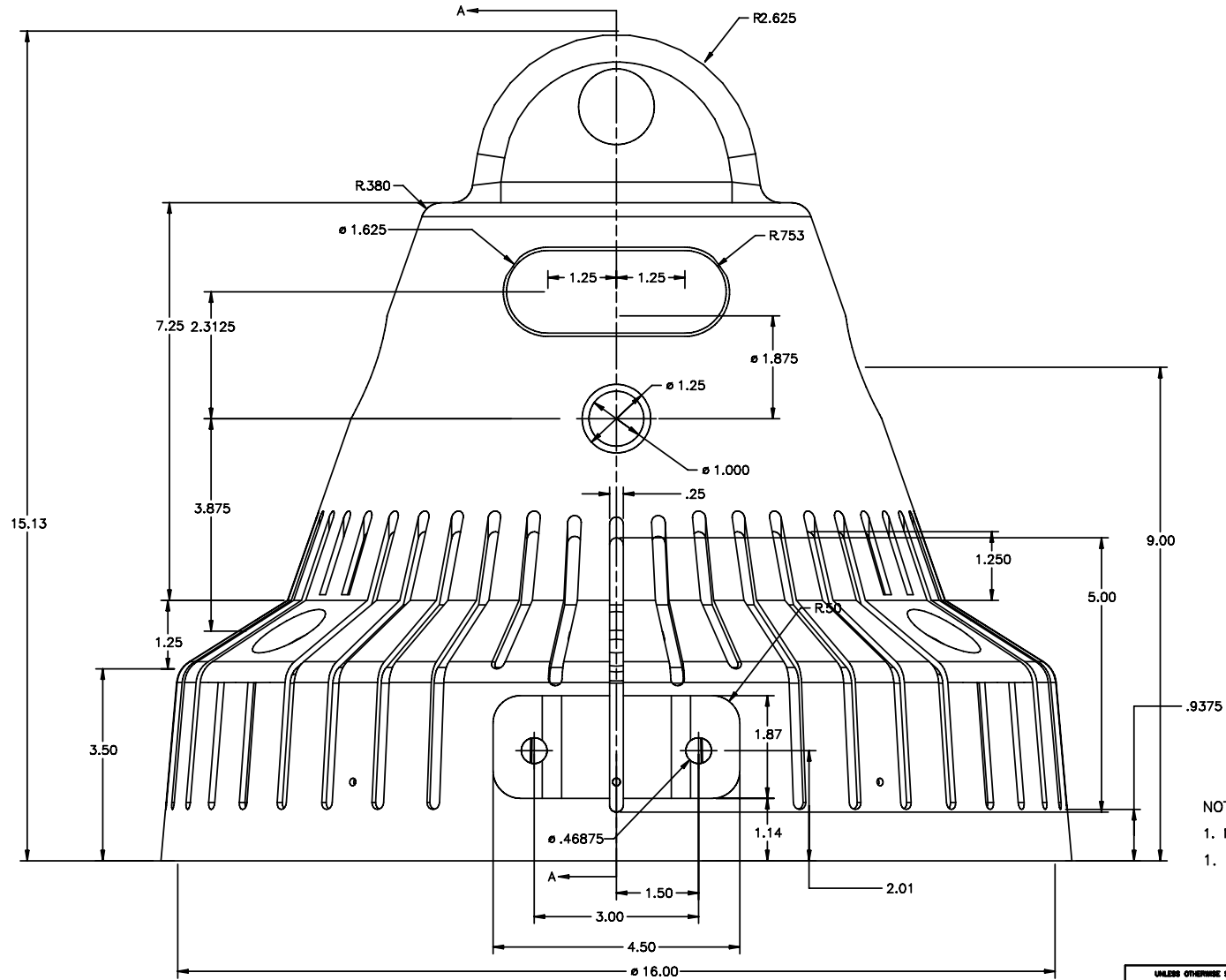
UNLESS OTHERWISE SPECIFIED		ACTIVITY	NAME	DATE	<p style="text-align: center;">ARSYS LLC TEMECULA, CA</p>					
.XXX = ±0.005		DRAWN	RH	3/2003				<p style="text-align: center;">MIDDLE STRUT</p>		
.XX = ±.02		CHECKED	MF	3/2003						
.X = ±.2		APPROVED	MF	3/2003						
ANGULAR = ±0.25°					SIZE	DWG NO.	REV			
MATERIAL	FINISH	<p style="font-size: small;">PROPRIETARY AND CONFIDENTIAL THE INFORMATION CONTAINED IN THIS DRAWING IS THE SOLE PROPERTY OF ARSYS LLC. ANY REPRODUCTION IN PART OR AS A WHOLE WITHOUT THE WRITTEN PERMISSION OF ARSYS LLC IS PROHIBITED.</p>			SCALE					
6061 ALUM 1/16"					DO NOT SCALE THE DRAWING	1.000 : 1	SHEET 1 OF 1			



UNLESS OTHERWISE SPECIFIED		ACTIVITY	NAME	DATE
.XXX	= ±0.005	DRAWN	RH	3/2003
.XX	= ±.02	CHECKED	MF	3/2003
.X	= ±.2	APPROVED	MF	3/2003
ANGULAR	= ±0.25°			

MATERIAL	FINISH	TITLE
3/4+3/4+1/16 6061 ALUM	116	RIGHT FRONT LEG
DESIGNED AND DRAWN BY R. H. ... OR BY ... CHECKED BY ... APPROVED BY ...		SIZE: C DWG NO.: G1TS-1 REV:
DO NOT SCALE THE DRAWING		SCALE: 1,000 : 1

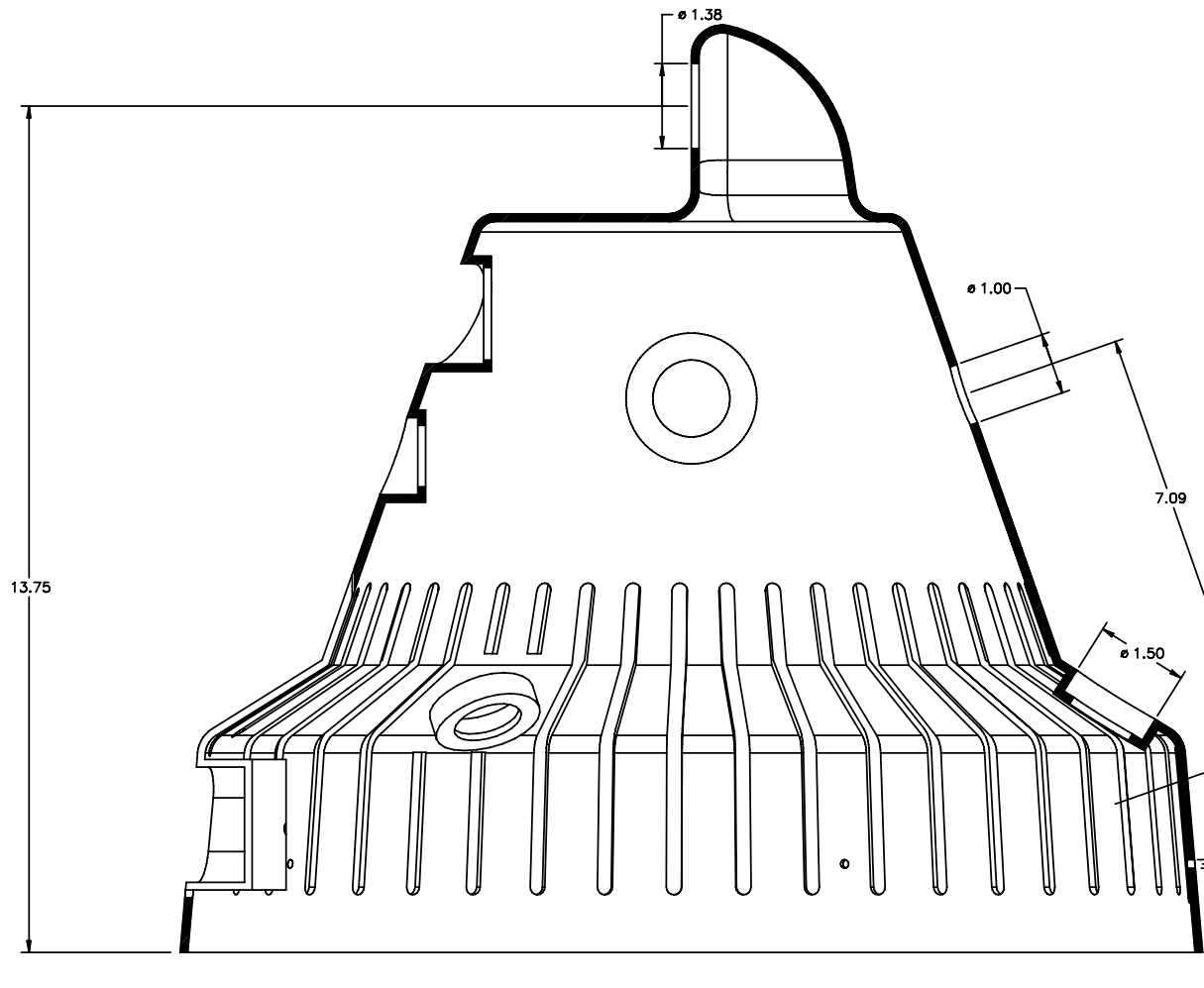




- NOTES:
1. MATERIAL ABS PLASTIC.
 1. FLUTING INDENTATIONS SHOULD GRADUALLY TAPER BACK OUT FLASH WITH THE SURFACE BY 1/4" VERTICALLY AS SHOWN.

UNLESS OTHERWISE SPECIFIED		ACTIVITY	NAME	DATE
.XXX	= ±0.005	DRAWN	RM	3/2003
.XX	= ±.02	CHECKED	MF	3/2003
.X	= ±.2	APPROVED	MF	3/2003
ANGULAR	= ±0.25°			

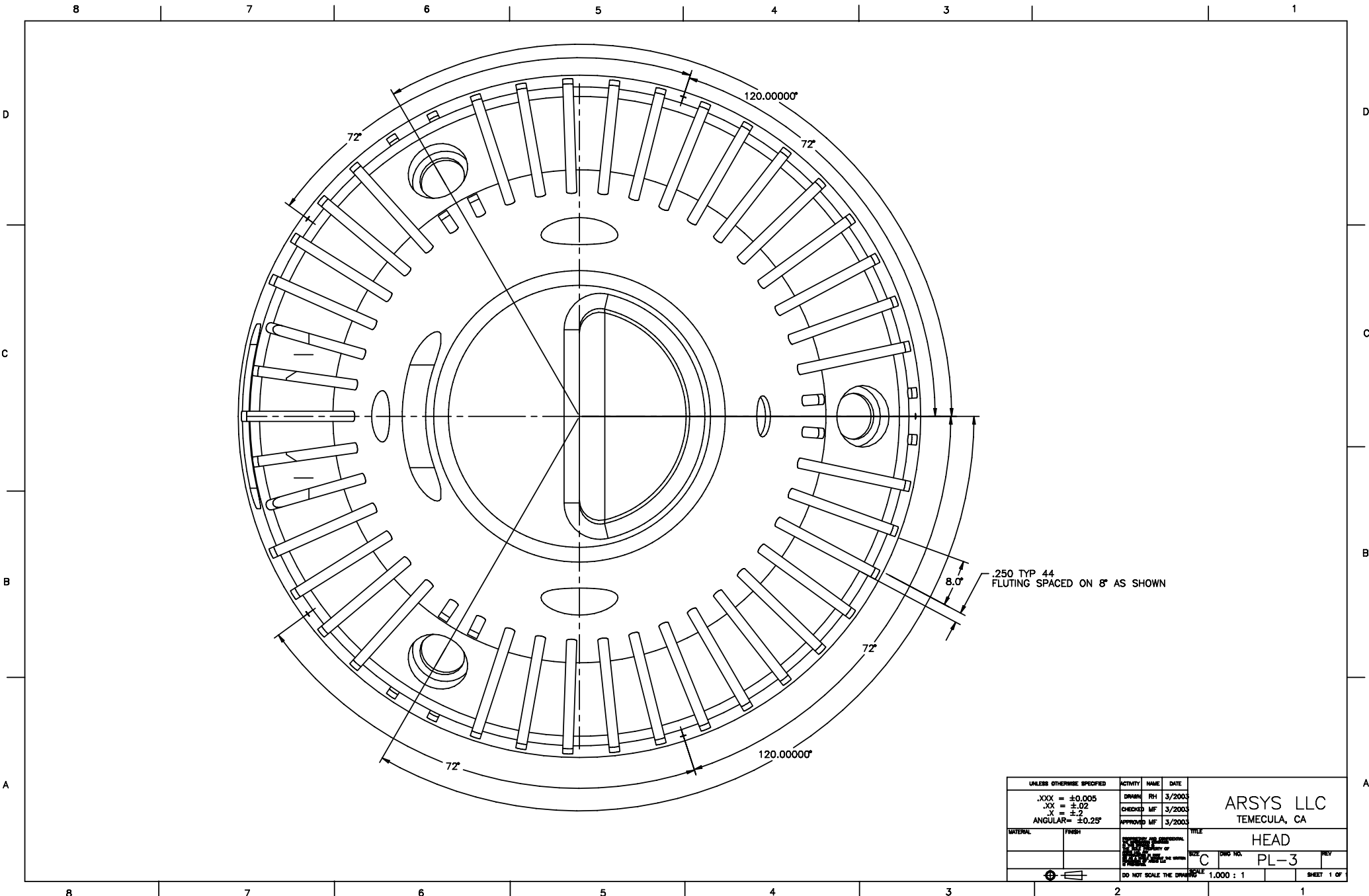
MATERIAL		FINISH		TOLERANCES UNLESS OTHERWISE SPECIFIED		TITLE	
				DRAWN BY CHECKED BY APPROVED BY		ARSYS LLC TEMECULA, CA HEAD PL-3	
SIZE	C	DWG. NO.	PL-3	REV		SHEET	1 OF 1
DO NOT SCALE THE DRAWING				SCALE	1,000 : 1		



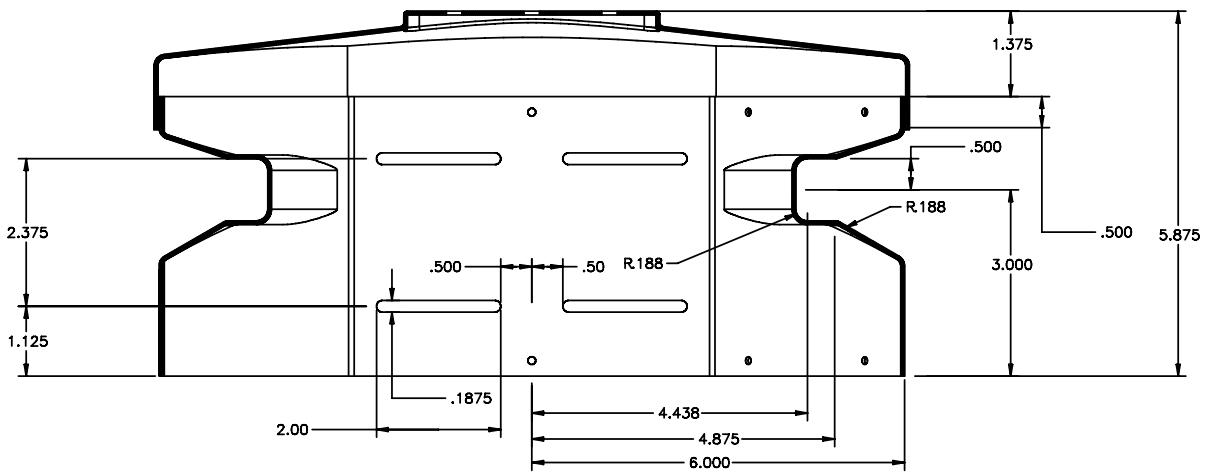
SECTION A-A

138.5 HOLES FOR MOUNTING HEAD ARE TO BE LOCATED AS SHOWN, DRILLED FOR 6-32 SCREWS FOR VERTICAL POSITIONING.

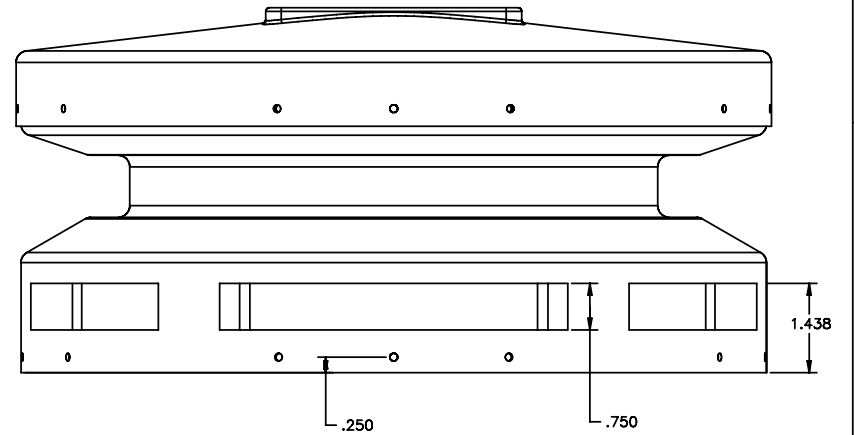
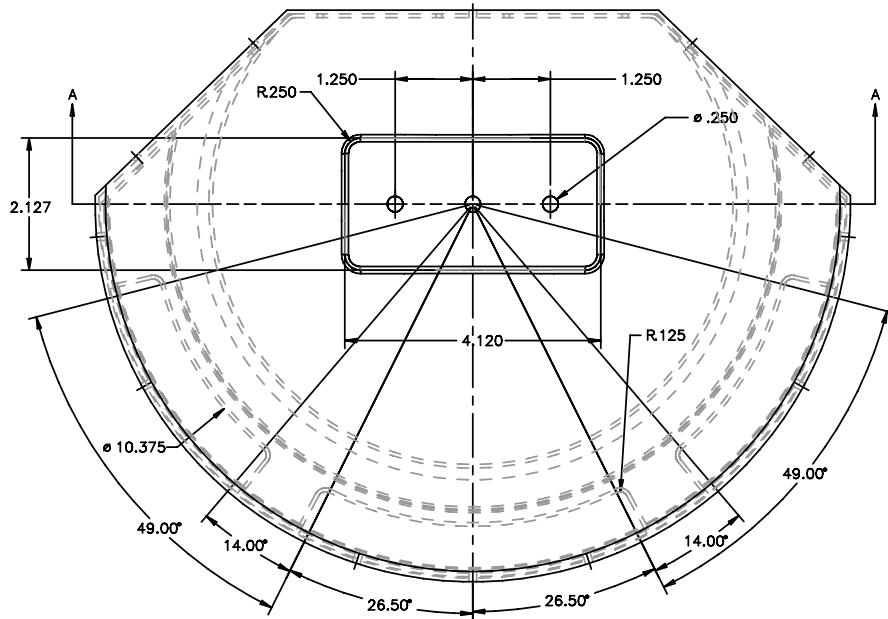
UNLESS OTHERWISE SPECIFIED		ACTIVITY	NAME	DATE	ARSYS LLC TEMECULA, CA TITLE HEAD SIZE C DWG NO. PL-3 REV SCALE 1,000 : 1 SHEET 1 OF 1
.XXX	= ±0.005	DRAWN	RH	3/2003	
.XX	= ±0.2	CHECKED	MF	3/2003	
.X	= ±.2	APPROVED	MF	3/2003	
ANGULAR = ±0.25°					
MATERIAL	FINISH	PREPARED BY AND APPROVED BY (Signature)			
		DO NOT SCALE THE DRAWING			



UNLESS OTHERWISE SPECIFIED		ACTIVITY	NAME	DATE	ARSYS LLC TEMECULA, CA HEAD		
.XXX	= ±0.005	DRAWN	RH	3/2003			
.XX	= ±.02	CHECKED	MF	3/2003			
.X	= ±.2	APPROVED	MF	3/2003			
ANGULAR	= ±0.25°	<small>APPROVED FOR CONSTRUCTION</small> <small>DATE</small> <small>SCALE</small>			TITLE	C PL-3	REV
MATERIAL	FINISH	<small>DO NOT SCALE THE DRAWING</small>			SCALE	1,000 : 1	SHEET 1 OF 1



SECTION A-A



UNLESS OTHERWISE SPECIFIED		ACTIVITY	NAME	DATE
.XXX	= ±0.005	DRAWN	RH	3/2003
.XX	= ±.02	CHECKED	MF	3/2003
.X	= ±.2	APPROVED	MF	3/2003
ANGULAR	= ±0.25°			
MATERIAL	FINISH	<small>DESIGNED AND DEVELOPED BY</small> <small>DRWING AND CHECKING BY</small> <small>DATE OF THIS DRAWING</small> <small>SCALE</small>		<small>TITLE</small> CHARGER SHELL
		<small>SIZE</small> C	<small>DWG. NO.</small> PL-6	<small>REV.</small>
<small>DO NOT SCALE THE DRAWING</small>		<small>SCALE</small> 1,000 : 1	<small>SHEET 1 OF</small>	

ARSYS LLC
TEMECULA, CA

CHARGER SHELL
PL-6

DO NOT SCALE THE DRAWING